

This Information Is Provided By  
***CBTricks.com***

Uniden HR2510 Service Manual

**Liability of damages to any equipment is the sole responsibility of the user! Downloading, viewing, or using any information provided on these pages automatically accepts the user to the terms of this agreement!**

**Modifications are provided for information purposes only!**

Supporters of CBTricks.com paid for the hosting so you would have this file.

CBTricks.com is a non-commercial personal website was created to help promote the exchange of service, modification, technically oriented information, and historical information aimed at the Citizens Band, GMRS (CB "A" Band), MURS, Amateur Radios and RF Amps.

CBTricks.com is not sponsored by or connected to any Retailer, Radio, Antenna Manufacturer or Amp Manufacturer, or affiliated with any site links shown in the links database. The use of product or company names on my web site is not endorsement of that product or company.

The site is supported with donations from users, friends and selling of the Site Supporters DVD's to cover some of the costs of having this website on the Internet instead of relying on banner ads, pop-up ads, commercial links, etc. Thus I do not accept advertising banners or pop-up/pop-under advertising or other marketing/sales links or gimmicks on my website.

ALL the money from donations is used for CBTricks.com I didn't do all the work to make money (I have a day job). This work was not done for someone else to make money also, for example the ebay CD sellers.

All Trademarks, Logos, and Brand Names are the property of their respective owners.

This information is not provided by, or affiliated in any way with any radio or antenna Manufacturers.

**Thank you for any support you can give.**

For information on how to Support CBTricks.com

<http://www.cbtricks.com/support/>

**uniden®**

---

**AMATEUR TRANSCEIVER**

**MODEL : HR-2510**

---

**SERVICE INFORMATION  
MANUAL**

**UNIDEN CUSTOMER SERVICE**  
9340 Castlegate Drive  
Indianapolis IN 46256  
(317) 842-2483

**UNIDEN PARTS DEPT.**  
9319 Castlegate Drive  
Indianapolis IN 46256  
(317) 842-1036

# AMATEUR TRANSCEIVER

## MODEL : HR-2510

### TABLE OF CONTENTS

<b>1. SPECIFICATIONS</b> .....	1
<b>2. ALIGNMENT PROCEDURES</b> .....	5
<b>3. ALIGNMENT POINTS</b> .....	9
<b>4. SEMICONDUCTOR LEAD IDENTIFICATION</b> .....	11
<b>5. PARTS PRICE LIST</b> .....	17
<b>6. IC VOLTAGE CHART</b> .....	29
<b>7. FREQUENCY CHART</b> .....	35
<b>8. TECHNICAL DRAWINGS</b> .....	37
<b>BLOCK DIAGRAM</b>	
<b>SCHEMATIC DIAGRAM</b>	(E12-2861)
	(E12-2862)
<b>P.C. BOARD VIEW</b>	
<b>MAIN PCB TOP</b>	(E22-7563)
<b>PLL PCB TOP</b>	(E23-7564)
<b>PCB BOTTOM</b>	(E23-7565)
<b>MAIN PCB BOTTOM</b>	(E24-7566)
<b>NB PCB</b>	(E24-7567)
<b>FM PCB</b>	(E24-7568)
<b>LCD PCB TOP</b>	(E24-7569)
<b>BOTTOM</b>	(E24-7570)
<b>SWR PCB</b>	(E24-7571)
<b>SW PCB</b>	(E24-7572)
<b>RIT PCB</b>	(E24-7573)
<b>PARTS ASS'Y TOP</b>	(E24-7574)
<b>WIRING DIAGRAM</b>	(E32-2928)
	(E32-2929)

Note: Circuit design and specifications are subject to change without notice.

# 1. SPECIFICATIONS

AMATEUR RADIO MODEL : HR2510 (UT-550B)

## GENERAL

1. Channel and Frequency Range : A Band 28.0000 ~ 28.4999 MHz  
B Band 28.5000 ~ 28.9999 MHz  
C Band 29.0000 ~ 29.4999 MHz  
D Band 29.5000 ~ 29.6999 MHz
2. Crystal : 3
3. Microphone : 500 Ohm, Dynamic Type with Channel up down
4. Speaker : 8 Ohm, 3 W
5. Antenna Connector : M Type
6. Jacks & Connectors : MIC 5P, DC Power 2P, 9 PIN ACC CONNECTOR
7. Controls : Mode Selector CW-LSB-USB-AM-FM, MIC Gain, TX, DIM, SCAN, SPAN, Meter Select, Beep, Band, F-Lock, CH up/down, PA, NB, Frequency Knob, ON/OFF Power Switch & Volume, Auto SQ & Squelch, RF Gain, RIT, SWR/CAL
8. Illumination : Band No. Indication LCD  
Channel No. Indication LCD  
Frequency Indication LCD  
S/RF, MOD, SWR Indication LCD
9. LCD Meter : RF Power Indication, Signal Strength, Modulation, CAL, SWR
10. Size : 186 mm (W) × 263 mm (D) × 62 mm (H)
11. Weight : 1.9 kg
12. Accessories : DC Power Cable with Fuse  
Microphone & Mic Hanger  
Mounting Bracket with Screws  
Short Plug  
9 pin Accessory Plug
13. Display Box Size : 376 (W) × 230 (D) × 110 (H)
14. Display Box Weight : 2.75 kg (include Unit and ACC.)
15. Quantity / Shipping Carton : 6 pcs.
16. Size / Shipping Carton : 730 (W) × 416 (D) × 270 (H)
17. Weight / Shipping carton : 18 kg (Per 6 pcs.)
18. Case Mark : UCA Standard Style

## MEASUREMENT CONDITIONS

1. Power Source : 13.8 V (DC)
2. Antenna Impedance : 50 Ohm
3. Test Temperature : 25°C
4. AM Modulation Frequency : 1 kHz
5. FM Modulation Frequency : 1 kHz
6. SSB Modulation Frequency, Two Tone : 500 Hz & 2400 Hz
7. Mean Signal Input Level : 1000 uV
8. Reference AM Modulation Percentage : 1 kHz, 30%
9. Reference FM Deviation : 1.5 kHz
10. Reference Audio Output Power : 0.5 W
11. Audio Frequency : 1 kHz
12. Audio Output Load : 8 Ohm Resistive

TRANSMITTER SECTION

<u>ITEMS</u>		<u>UNIT</u>	<u>NOMINAL</u>	<u>LIMIT</u>	
1. Frequency Tolerance at 25°C (5 minutes after Switch on)	AM	Hz	± 300	± 1500	
	SSB	Hz	± 300	± 1500	
	FM	Hz	± 300	± 1500	
	CW	Hz	± 300	± 1500	
2. Carrier Power	AM	W	10.0	8.0 ~ 14.0	
	FM	W	10.0	8.0 ~ 14.0	
	CW	W	21.0	18.0 ~ 26.0	
3. PEP Power, Two Tone, SSB		Wpep	21.0	18.0 ~ 26.0	
4. Spurious Harmonic Emission	AM	dB	-50	-40	
	SSB	dB	-50	-40	
	FM	dB	-50	-40	
	CW	dB	-50	-40	
5. Carrier Suppression	SSB	dB	-55	-40	
6. Unwanted Sideband Suppression (at 2500 Hz 4 Wpep 16 dB up Single tone)					
	SSB	dB	-45	-35	
7. Battery Drain at No Modulation	AM	mA	3000	4500	
	SSB	mA	800	1500	
	FM	mA	3000	4500	
	CW	mA	5000	6500	
8. Battery Drain					
	AM : MAX Modulation	mA	3000	4500	
	SSB : MAX Wpep, Two Tone	mA	3000	4500	
	FM : MAX Modulation	mA	3000	4500	
CW : TX Mode, No Key Down	mA	800	1200		
9. Modulation Frequency Response (1 kHz, 0 dB Reference)					
	Lower at 450 Hz	AM	dB	-4	-10
		SSB	dB	-4	-10
		FM	dB	-4	-10
	Upper at 2.5 kHz	AM	dB	-4	-10
		SSB	dB	-4	-10
		FM	dB	-4	-10
	10. Microphone Sensitivity				
AM : For 50% Modulation		mV	1.0	2.0	
SSB : For 10 Wpep Output		mV	1.0	2.0	
FM : For 1 kHz Deviation	mV	1.5	3.0		
11. AMC Range					
	AM : 50 ~ 100% Modulation	dB	50	40	
	SSB : 16 ~ 26 Wpep	dB	50	40	
12. MIC Gain (ATTENATE)		dB	-10	-6	

RECEIVER SECTION (NB Switch OFF)

1. Max. Sensitivity	AM	uV	0.5	2.0
	CW/SSB	uV	0.25	1.0
2. Sensitivity for 10 dB S/N				
	AM	uV	0.5	2.0
	CW/SSB	uV	0.25	1.0
FM : 20 dB S/N	FM	uV	0.5	3.0
3. AGC Figure of Merit, 50 mV for 10 dB Change in Audio Output	AM	dB	80	70
	CW/SSB	dB	80	70
4. Overall Audio Fidelity at 6 dB down				
Upper Frequency	AM	Hz	2000	1500 ~ 4000
	SSB	Hz	3000	2000 ~ 4500
	FM	Hz	1500	1000 ~ 3000
Lower Frequency	AM	Hz	300	100 ~ 500
	SSB	Hz	300	100 ~ 500
	FM	Hz	300	100 ~ 500
5. Adjacent Channel Selectivity (10 kHz, 1 GEN)	AM	dB	70	60
6. Maximum Audio Output Power				
	AM	W	4.0	2.5
	CW/SSB	W	4.0	2.5
	FM	W	4.0	2.5
7. Audio Output Power at 10 % THD				
	AM	W	2.5	2.0
	CW/SSB	W	2.5	2.0
	FM	W	2.5	2.0
8. RF Gain	AM	dB	55	30 ~ 70
	CW/SSB	dB	55	30 ~ 70
	FM	dB	55	30 ~ 70
9. S/N Ratio at 1 mV Input	AM	dB	30	25
	FM	dB	35	25
10. Squelch Sensitivity at Threshold	AM	uV	0.5	2.0
	CW/SSB	uV	0.5	2.0
	FM	uV	0.5	2.0
11. Squelch Sensitivity at Tight	AM	uV	1000	250 ~ 4000
	CW/SSB	uV	1000	250 ~ 4000
	FM	uV	1000	250 ~ 4000
12. S Meter Sensitivity at "S-9" (No Modulation)	AM	uV	100	25 ~ 400
	CW/SSB	uV	100	25 ~ 400
	FM	uV	100	25 ~ 400
13. Image Rejection Ratio	AM	dB	65	50
	CW/SSB	dB	65	50
	FM	dB	65	50
14. i-f Rejection Ratio	AM	dB	65	50
	CW/SSB	dB	65	50
	FM	dB	65	50

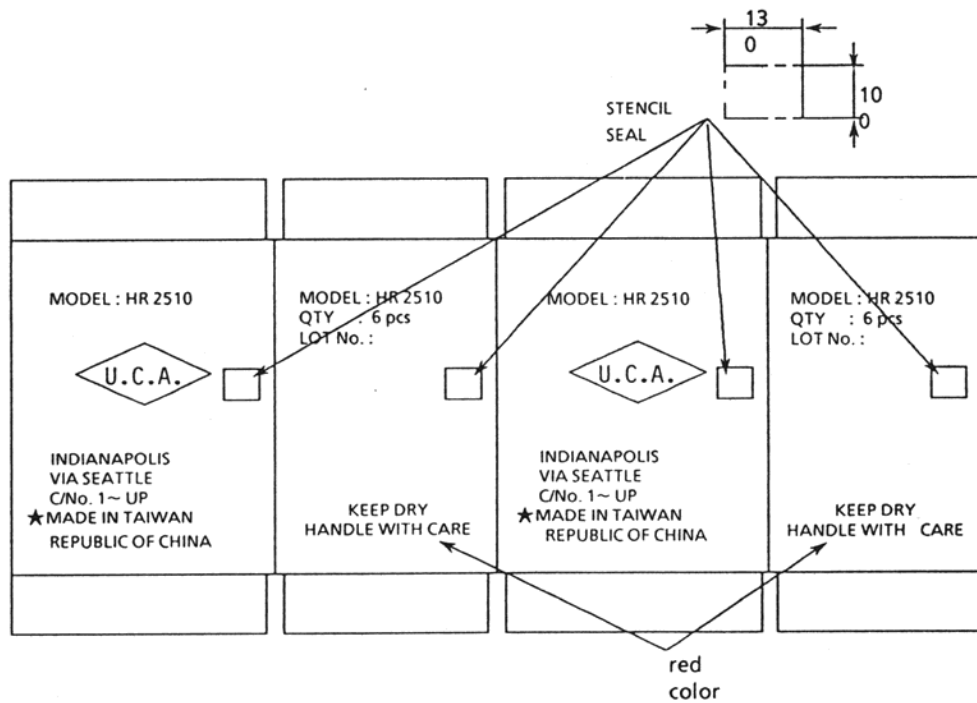
ITEMS		UNIT	NOMINAL	LIMIT
15. Oscillator Dropout Voltage	AM	V	9	11
	CW/SSB	V	9	11
	FM	V	9	11
16. Battery Drain at No Signal	AM	mA	500	800
	CW/SSB	mA	500	800
	FM	mA	500	800
17. Battery Drain at Max. Audio Output	AM	mA	1000	1500
	CW/SSB	mA	1000	1500
	FM	mA	1000	1500
18. Clarifier Range	AM	kHz	± 3.0	± 2.2 ~ ± 4.0
	CW/SSB	kHz	± 3.0	± 2.2 ~ ± 4.0
	FM	kHz	± 3.0	± 2.2 ~ ± 4.0

PUBLIC ADDRESS

ITEMS	UNIT	NOMINAL	LIMIT
1. Output Power at 10% Distortion	W	2.5	2

NOTE :

- (1) Shall have reverse polarity protection and operable with negative ground only.
- (2) Operating Power Voltage : 13.8V + 15 - 20% DC
- (3) Standard Operating Temperature : -10°C ~ +50°C
- (4) Storage Temperature : -30°C ~ +60°C



## 2. ALIGNMENT PROCEDURES

### ALIGNMENT OF TRANSMITTER PORTION

#### 1. Test Equipment Required

DC Power Supply (13.8V) more than 10A	
AF S.S.G. AM FM (1kHz, 500Hz and 2400Hz)	
RF VTVM	Oscilloscope
DC AM METER	RF Power Meter
AF VTVM	Dummy Load (50 ohm)
FM Linear Detector	

#### 2. Preparation for Alignment

VR112 : Clockwise	PA SW : OFF
VR113 : Counter Clockwise	METER SW : RF
VR103 : Clockwise	Mic Gain SW : OFF
SWR/CAL : Middle Position	TX SW : OFF
FREQ. : 28.000 MHz	

#### 3. Alignment Procedure

Step	Preset to	Adjustment	Remarks
1	Mode : USB No.mod.	VR112 <i>FINAL BIAS</i>	Remove the B002(PB-100) from Main PCB. Connect a DC AM Meter(+) to TP4, (-) to TP3. Adjust VR112 for 50 mA reading on the DC AM Meter.
2	Ditto	VR113 <i>DRIVER BIAS</i>	Connect the DC AM Meter(+) to TP4, (-) to TP2. Adjust VR113 for 50 mA reading on the DC AM Meter.
3	1mV modulation	L111	Disconnect the DC AM Meter. Reinstall the B002 to the Main PCB. Connect a RF Power meter to the ANT.jack. Connect a RF VTVM, an oscilloscope and an FM Linear Detector across an RF Dummy load to the RF Power meter. Adjust L111 for maximum reading on the RF VTVM. During this step, set the AF oscillator so that the output is less than 20V. Repeat this step two times.
4	30mV modulation	VR104 <i>ALC</i>	Adjust VR104 for 32.5V reading on the RF VTVM.
5	Ditto	VR106 <i>CARRIER BAL.</i>	Adjust VR106 so that the carrier leakage at USB and LSB become minimum and almost equal.
6	Mode : CW Non Mod.	<i>Am</i> VR103 <i>Power</i>	Connect a SW to between Pin 8 and 9 of ACC connector. When turn on the SW, adjust VR103 for 21W reading on the power meter.



# ALIGNMENT OF P. L. L. AND CARRIER OSCILLATOR PORTION

## 1. Test Equipment Required

DC Power Supply (13.8V)  
 DC Voltmeter  
 Dummy Load (50 ohm)

Oscilloscope  
 Frequency Counter

## 2. Preparation for alignment

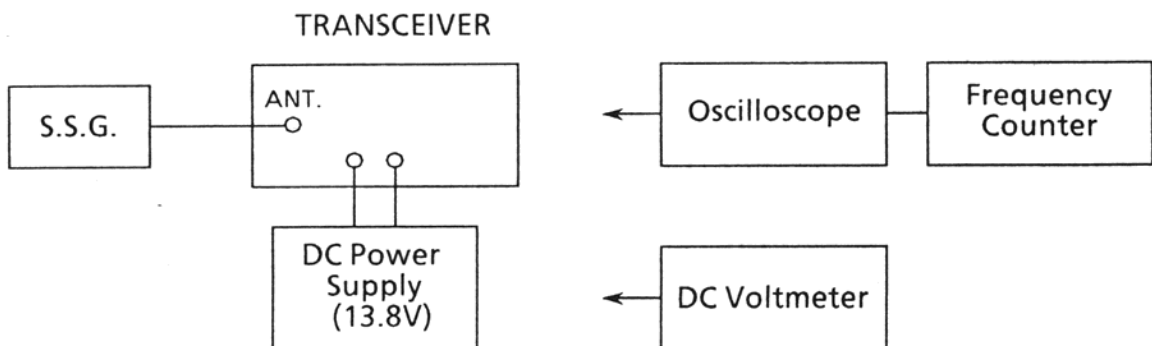
PA SW : OFF  
 RIT : Middle Position

MODE SW : AM  
 TX : OFF

## 3. Alignment Procedure

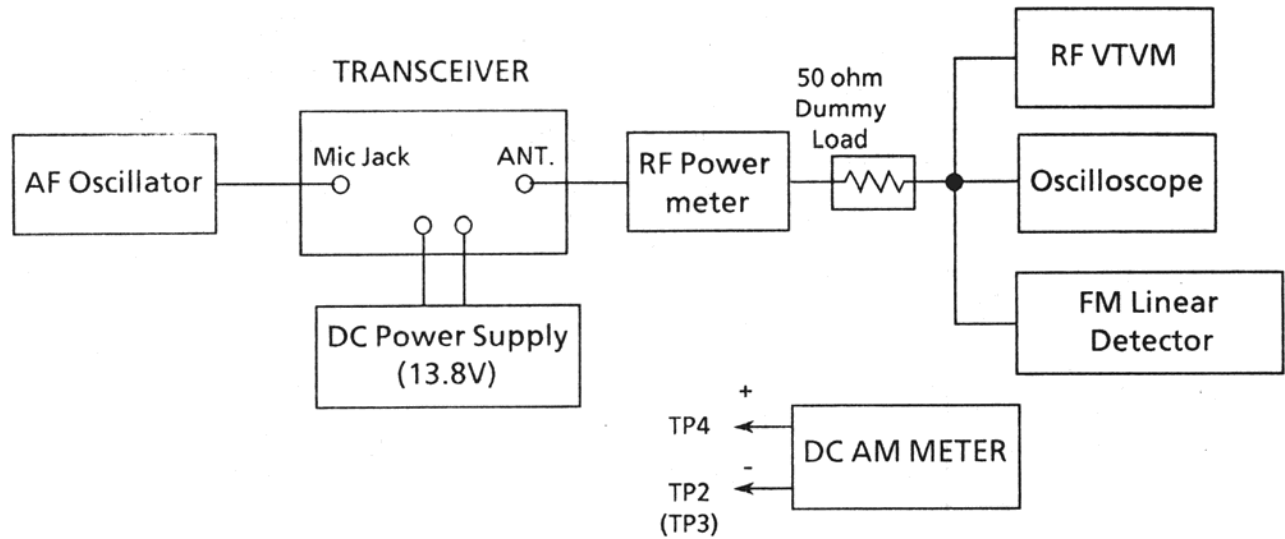
Step	Preset to	Adjustment	Remarks
1	Mode: RX,AM SG : 28MHz	L315	Connect an oscilloscope to TP306. Adjust L315 for 6.200MHz $\pm$ reading on the oscilloscope.
2	Ditto	L318	Connect the oscilloscope to TP304. Adjust L318 for 38.695MHz $\pm$ 20 Hz reading on the oscilloscope.
3	Mode: RX,AM SG:29.6999MHz	L317	Connect a DC voltmeter to TP303. Adjust L317 for 6.5 $\pm$ 0.1V reading on the DC Voltmeter.
4	Mode: RX,CW SG : 28MHz	L117	Connect the oscilloscope to TP1. Adjust L117 for 10.6950MHz $\pm$ 20 Hz reading on the oscilloscope.
5	Mode: RX,LSB	L118	Adjust L118 for 10.6925 MHz (-40Hz to +0Hz) reading on the oscilloscope.
6	Mode:RX,USB	L116	Adjust L116 for 10.6975 MHz $\pm$ 20 Hz reading on the oscilloscope.
7	Mode:RX,USB	VR111 <i>TX FREQ</i>	Connect the oscilloscope to TP5. Adjust VR111 for 38.6975MHz $\pm$ 20Hz reading on the oscilloscope.

## TEST EQUIPMENT CONNECTION



Step	Preset to	Adjustment	Remarks
7	Mode : AM Non Mod	VR107 <i>Am pwr</i>	Adjust VR107 for 10W reading on the RF power meter.
8	Ditto	VR117 <i>RF MTR</i>	Adjust VR117 so that "9" LCD just lights on.
9	1kHz, 30mV Modulation	VR114 <i>Amc</i>	Adjust VR114 to obtain the 85% negative reading on the oscilloscope.
10	1kHz, 1mV Modulation INDIC : MOD	VR115 <i>Mod MTR</i>	Adjust VR115 so that "9" LCD just lights on.
11	Mode : FM 1kHz, 30mV Modulation	VR105 <i>Fm Dev.</i>	Adjust VR105 for $\pm 3$ kHz deviation reading on the FM Linear Detector.
12	Mode: CW No Mod. Vol. : Max.	VR116 <i>CW Side Tone</i>	Connect an AF VTVM across a dummy load (8ohm) to between Pin 1 and Pin 2 of ACC connector. When turn on the SW, adjust VR116 for 0.4V reading on the AF VTVM.

### TEST EQUIPMENT CONNECTION



## ALIGNMENT OF RECEIVER PORTION

### 1. Test Equipment Required

AF VTVM  
 Oscilloscope  
 S.S.G.(28.000MHz , 1kHz, 30% Mod. and 50-ohm Impedance)

DC Power Supply (13.8V)  
 Dummy Load (8 ohm)

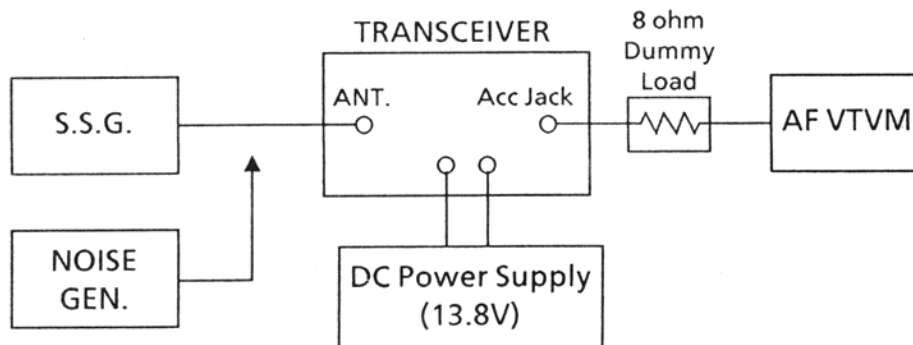
### 2. Alignment Procedure

NB SW	: OFF	Mode	: AM
PA SW	: OFF	Squelch	: Min. (Auto SQ OFF)
Beep SW	: OFF	RF Gain	: MAX
VOLUME	: MAX	TX	: OFF
RIT	: Middle position		

### 3. Alignment Procedure

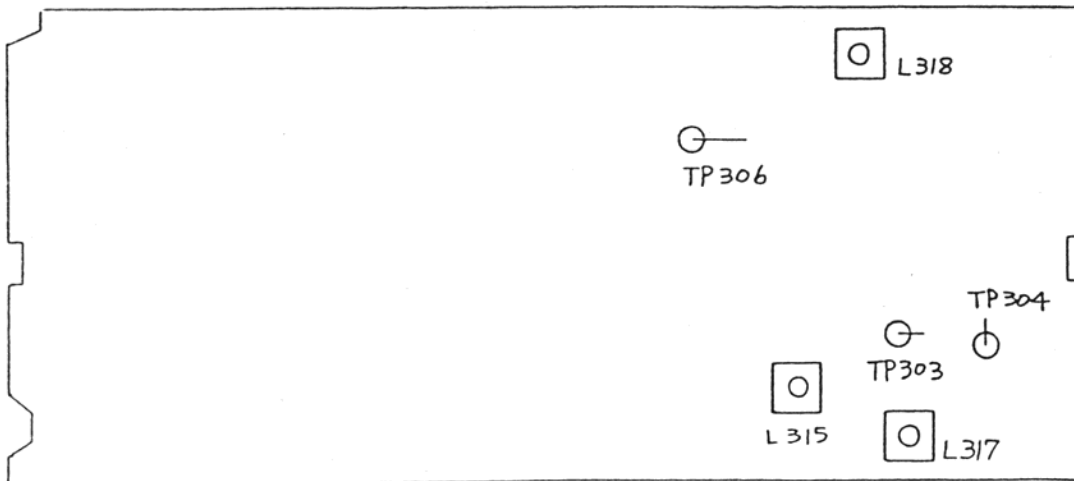
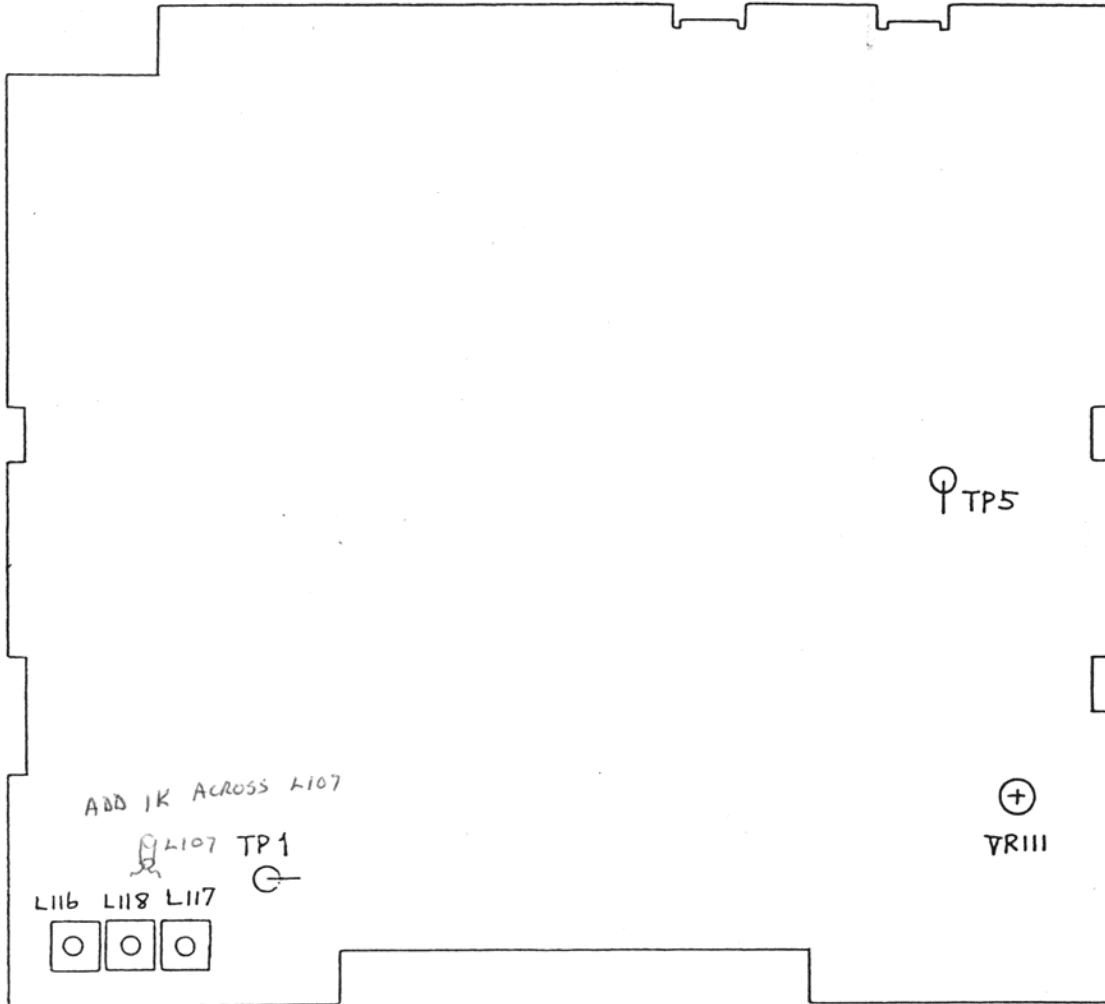
Step	Preset to	Adjustment	Remarks
1		L101, L104, L113, L115 and L105	<b>Alignment of sensitivity</b> Adjust coils for maximum reading on the AF VTVM.(During this step, set the S.S.G.attenuator so that the standard output is less than 0.5W (2V / 8ohm).
2		VR102 <i>SQUELCH</i>	<b>Alignment of Squelch</b> Set the output of S.S.G. to 66 dB $\pm$ 2 dB and squelch to maximum. Adjust VR102 so that the squelch just breaks.
3		VR101 <i>S-MTR</i>	<b>Alignment of S- Meter</b> Set the output of S.S.G. to 46 dB, no modulation. Adjust VR101 so that "9" LCD just lights on.
4	Mode : FM S.S.G.: 1mV (1.5kHz Dev.)	L401	Adjust L401 for maximum reading on the AF VTVM.
5	Mode : AM Noise GEN. to the ANT.Jack	L203	Adjust L203 for minimum reading on the AF VTVM. (Noise GEN. OUTPUT : 50Hz SQ WAVE 2Vp-p)

### TEST EQUIPMENT CONNECTION

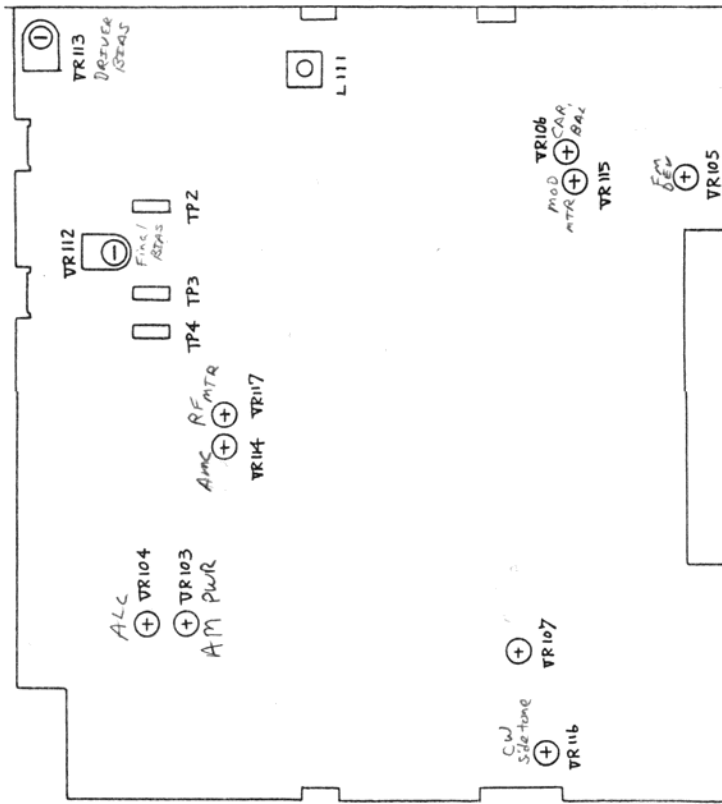


### 3. ALIGNMENT POINTS

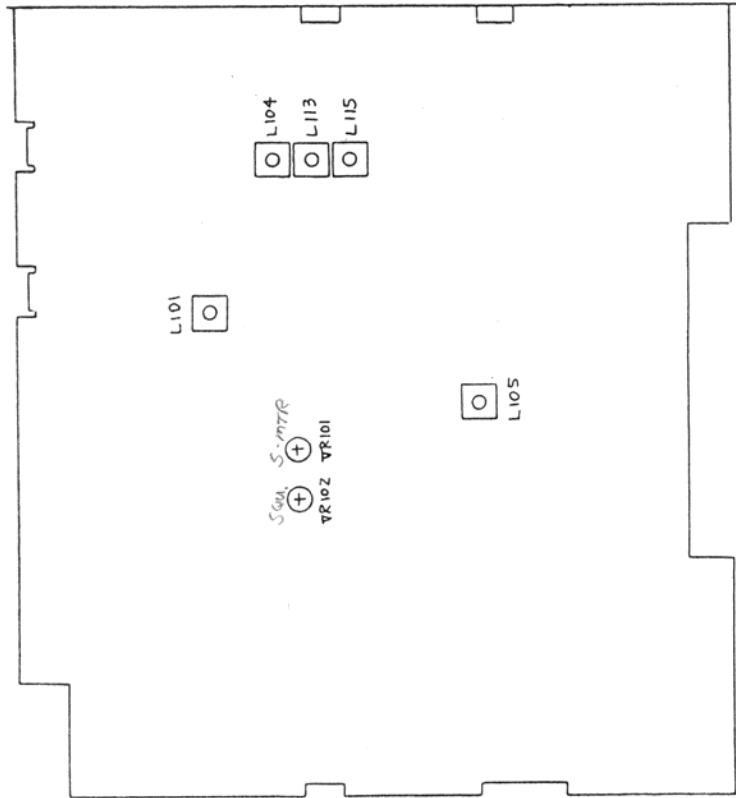
#### Alignment for PLL and Carrier Oscillator Portion



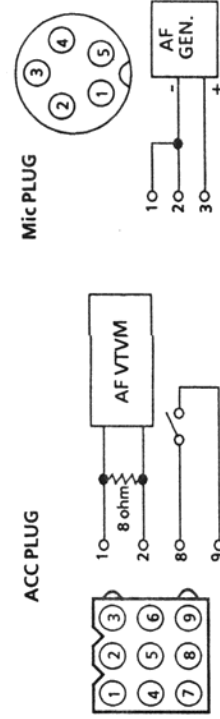
Alignment for Transmitter Portion



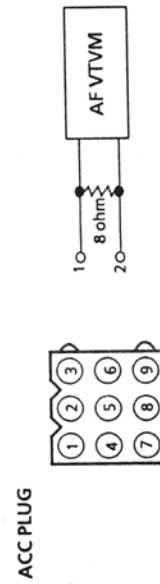
Alignment for Receiver Portion



CONNECTION FOR Tx ALIGNMENT

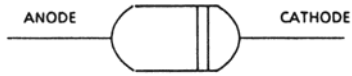


CONNECTION FOR Rx ALIGNMENT

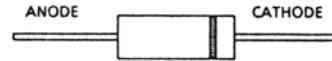


# 4. SEMICONDUCTOR LEAD IDENTIFICATION

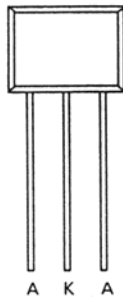
## DIODE



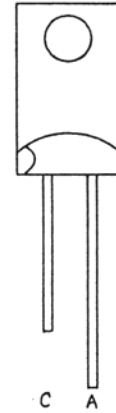
1N4148  
HZ5C-1  
HZ3B3  
1N60 AM  
1N60 P  
1N4003



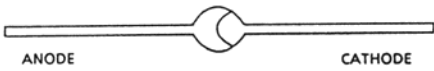
MC301



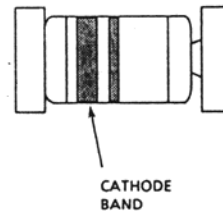
KV1330



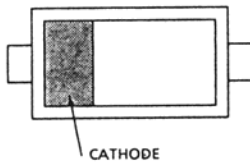
MV-1YH-5



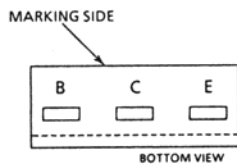
KB-362



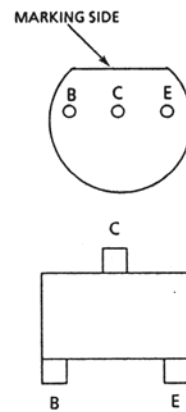
RLS4148



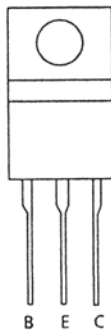
15V200



2SC2166-C



2SB525-C

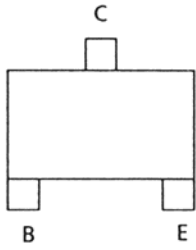


MRF-477

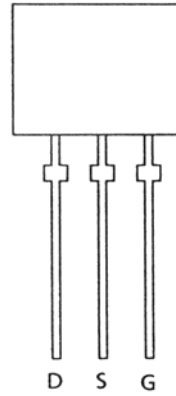
2SA1179-M6

# TRANSISTOR

TRANSISTOR



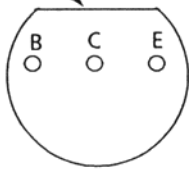
2SC2712-Y  
2SC2812-L5  
2SC2814-F5  
2SC3121



G: GATE  
S: SOURCE  
D: DRAIN

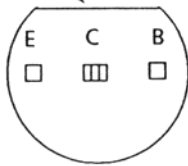
2SK192A-BL

MARKING SIDE

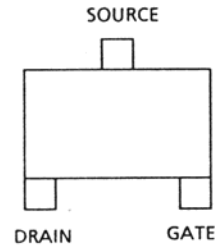


2SC2086-D

MARKING SIDE

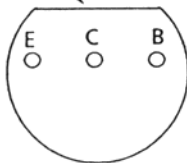


2SC3242A-E



2SK302-Y

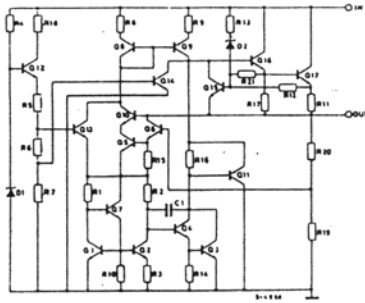
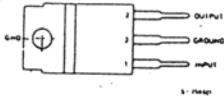
MARKING SIDE



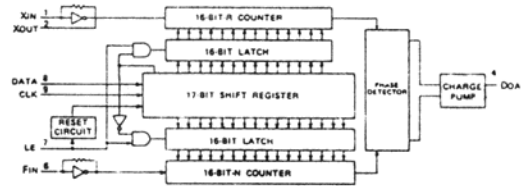
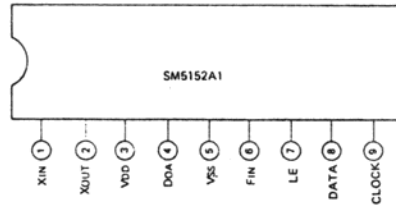
2SC1674-L  
2SC1675-L  
2SC1730-L  
2SC945A-Q  
2SA733A-P  
2SC1973-SSB

**L78M05CV**

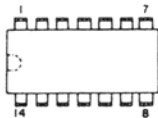
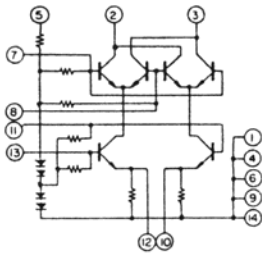
**L78M08CV**



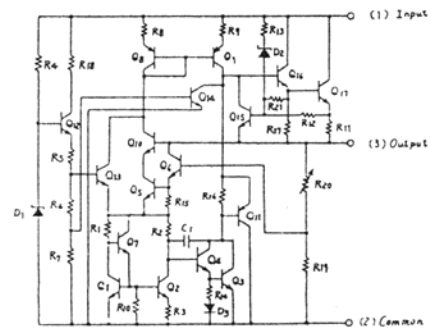
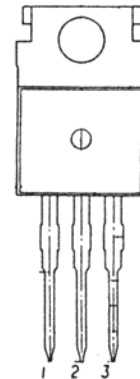
**SM5152A1**



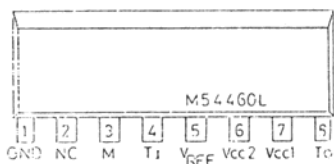
**SO42P**



**HA17808W**

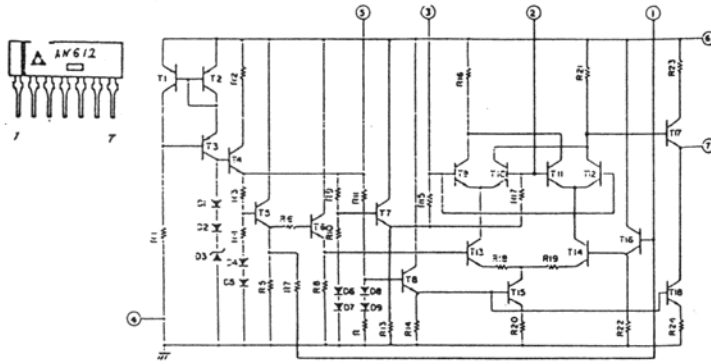


**M54460L**

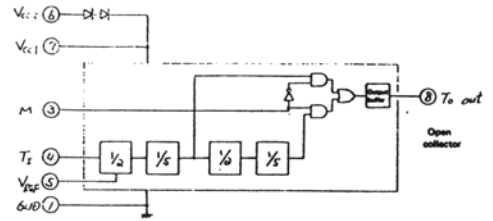




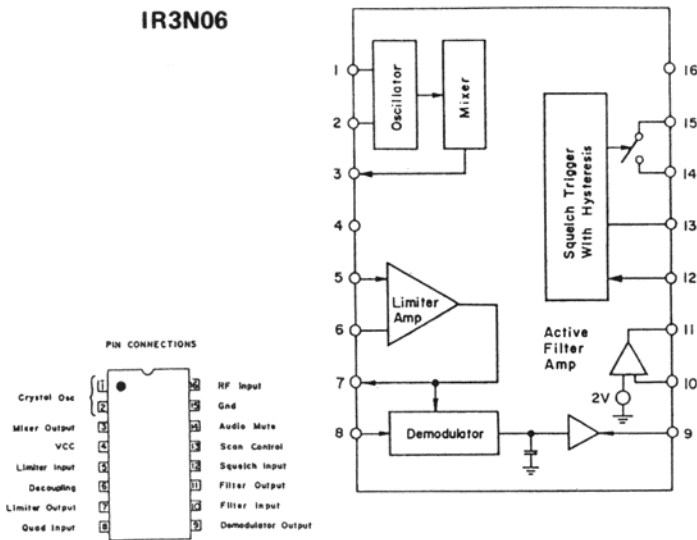
**AN612**



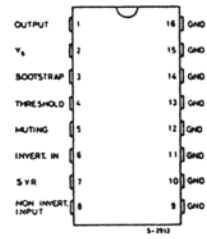
**M54460L**



**IR3N06**

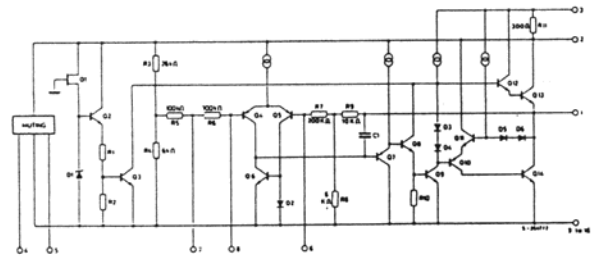
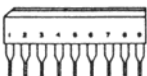
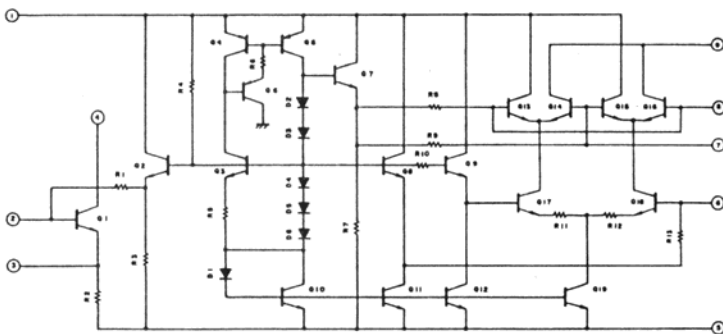


**TDA1905**

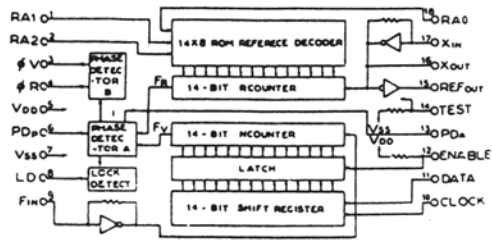
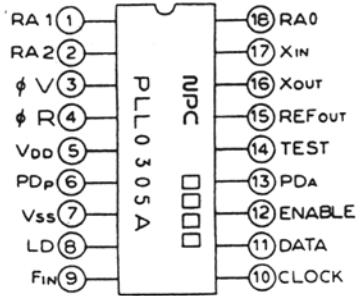


**TA7320P**

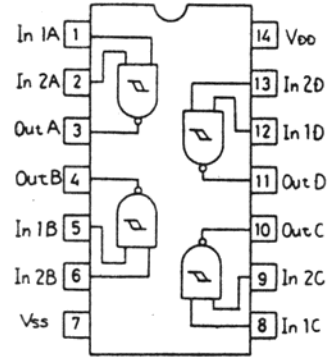
**BALANCED MODULATOR-DEMODULATOR**



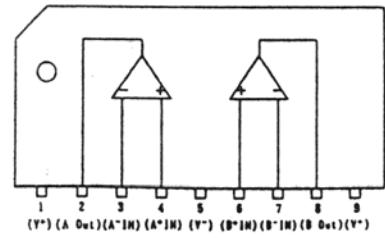
**PLL0305A**



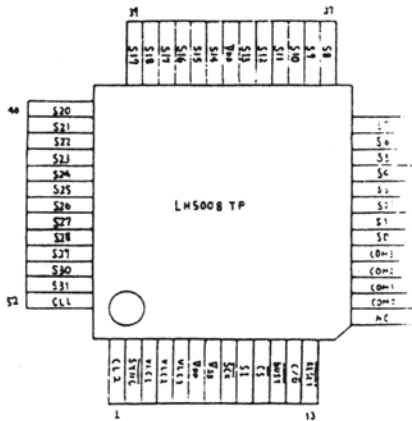
**HD14093BP**



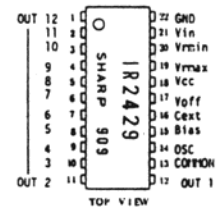
**NJM4558S**



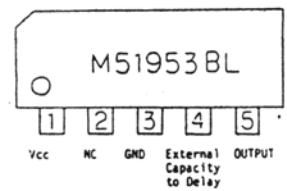
**LH5008TP**



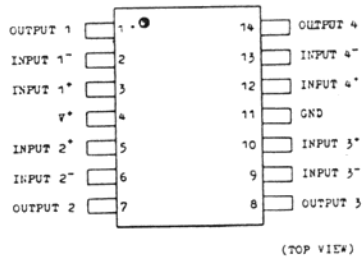
**IR2429**



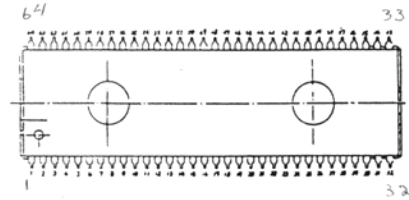
**M51953BL**



### NJM2902N



### UC1201



### UC1201

Pin No.	Name	Pin No.	Name	Pin No.	Name	Pin No.	Name
1	LCD1 ( $\overline{SCK}$ )	17		33	BEEP	49	
2	LCD2 ( $\overline{SI}$ )	18	CWFiL	34	AMATEUR	50	
3	LCD3 ( $\overline{CS}$ )	19		35	GND	51	
4	LCD4 ( $\overline{C/\overline{B}}$ )	20	BPF2	36	$\overline{LOCB}$	52	
5	LCD5 ( $\overline{RESET}$ )	21		37	VCX $\overline{O}$ 1	53	
6	RF	22	FKNDB1	38	VCX $\overline{O}$ 2	54	ABSEL
7	M $\overline{OD}$	23	FKNDB2	39	VCX $\overline{O}$ 3	55	S $\overline{O}U$
8	CAL	24	AM	40	VCX $\overline{O}$ 4	56	S $\overline{T}OP$
9	SWR	25	USB	41	VCX $\overline{O}$ 5	57	BPF3
10	R $\overline{O}W$ 1	26	L $\overline{S}B$	42	VCX $\overline{O}$ 6	58	WATCH $\overline{D}$
11	R $\overline{O}W$ 2	27	CW	43		59	T $\overline{O}NE$
12	R $\overline{O}W$ 3	28	DATA	44	P $\overline{O}W$ $\overline{O}FF$	60	BPF1
13		29	CLK	45	MUP	61	LCD6 ( $\overline{BWS}$ )
14	C $\overline{O}L$ 1	30	STB1	46	M $\overline{D}OWN$	62	Tx $\overline{O}UT$
15	C $\overline{O}L$ 2	31	STB2	47	PTT	63	MUTE
16	C $\overline{O}L$ 3	32		48	F $\overline{L}OCK$	64	CFILTE

## **5. PARTS PRICE LIST**

Parts price is subject to change without notice.

(MODEL)	(SYMBOL)	(PARTS CODE)	(DESCRIPTION)	(QTY)	(LIST PRICE)
HR-2510	C015	BCKG814720Z	CAPACITOR: CERAMIC	1	\$ 0.15
	C016	BCKD811026Z	CAPACITOR: CERAMIC	1	\$ 0.14
	C017	BCCG511035Z	CAPACITOR: SEMI CONDUCTOR(SR)	1	\$ 0.23
	C018	BCEL311000Z	CAPACITOR: ELECTROLYTIC	10UF 16V	\$ 0.33
	C019	BCCG511035Z	CAPACITOR: SEMI CONDUCTOR(SR)	1	\$ 0.23
	C020	BCCG514735Z	CAPACITOR: SEMI-CONDUCTOR(SR)	1	\$ 0.35
	C021			1	\$ 0.35
	C022			1	\$ 0.35
	C023			1	\$ 0.35
	C024	BCCG811505Z	CAPACITOR: CERAMIC	15PF 50V K SL	\$ 0.14
	C025	BCCG815091Z	CAPACITOR: CERAMIC	5PF 50V C SL	\$ 0.14
	C026	BCCG811015Z	CAPACITOR: CERAMIC	100PF 50V K SL	\$ 0.14
	C027	BCEL811090Z	CAPACITOR: ELECTROLYTIC	1UF 50V	\$ 0.33
	C028	BCCG812205Z	CAPACITOR: CERAMIC	22PF 50V K SL	\$ 0.14
	C029	BCCG815605Z	CAPACITOR: CERAMIC	56PF 50V K SL	\$ 0.14
	C030	BCCG811030Z	CAPACITOR: CERAMIC	0.01UF 50V Z YF	\$ 0.16
	C031	BCCG511025Z	CAPACITOR: SEMI-CONDUCTOR(SR)	0.001UF 25V K	\$ 0.21
	C032	BCEL814790Z	CAPACITOR: ELECTROLYTIC	4.7UF 50V	\$ 0.33
	C033	BCEL114700Z	CAPACITOR: ELECTROLYTIC	47UF 10V	\$ 0.34
	C034			1	\$ 0.34
	C035	BCCG513935Z	CAPACITOR: SEMI-CONDUCTOR(SR)	0.039UF 25V K	\$ 0.35
	C036	BCCG516825Z	CAPACITOR: SEMI-CONDUCTOR(SR)	0.0068UF 25V K	\$ 0.21
	C037	BCC811804Z	CAPACITOR: CERAMIC	18PF 50V J CH	\$ 0.17
	C038	BCC811025Z	CAPACITOR: CERAMIC	0.001UF 50V K YB(B)	\$ 0.16
	C040	BCEL114700Z	CAPACITOR: ELECTROLYTIC	47UF 10V	\$ 0.34
	C041	BCE114706Z	CAPACITOR: ELECTROLYTIC	47UF 10V M C-095	\$ 0.34
	C042	BCEL114700Z	CAPACITOR: ELECTROLYTIC	47UF 10V	\$ 0.34
	C043	BCCU815091Z	CAPACITOR: CERAMIC	5PF 50V C UJ	\$ 0.17
	C044	BCCG811015Z	CAPACITOR: CERAMIC	100PF 50V K CH	\$ 0.23
	C045	BCCF811091Z	CAPACITOR: CERAMIC	1PF 50V C CK	\$ 0.17
	C047	BCC511040Z	CAPACITOR: CERAMIC	0.1UF 25V Z ZF	\$ 0.40
	C048	BCEL311000Z	CAPACITOR: ELECTROLYTIC	10UF 16V	\$ 0.33
	C049	BCKG814720Z	CAPACITOR: CERAMIC	0.0047UF 50V Z YF	\$ 0.15
	C050	BCKG811030Z	CAPACITOR: CERAMIC	0.01UF 50V Z YF	\$ 0.16
	C051			1	\$ 0.16
	C052	BCEL114700Z	CAPACITOR: ELECTROLYTIC	47UF 10V	\$ 0.34
	C053	BCC813304Z	CAPACITOR: CERAMIC	33PF 50V J CH	\$ 0.17
	C054	BCCG811815Z	CAPACITOR: CERAMIC	180PF 50V K SL	\$ 0.16
	C055	BCKG811030Z	CAPACITOR: CERAMIC	0.01UF 50V Z YF	\$ 0.16
	C056	BCE811096Z	CAPACITOR: ELECTROLYTIC	1UF 50V M C-095	\$ 0.40
	C057	BCCG516835Z	CAPACITOR: SEMI-CONDUCTOR(SR)	0.068UF 25V K	\$ 0.44
	C058	BCCG514725Z	CAPACITOR: SEMI-CONDUCTOR(SR)	0.0047UF 25V K	\$ 0.21
	C059	BCEL811090Z	CAPACITOR: ELECTROLYTIC	1UF 50V	\$ 0.33
	C060	BCE112216Z	CAPACITOR: ELECTROLYTIC	220UF 10V M C-095	\$ 0.37
	C061	BCCG815615Z	CAPACITOR: CERAMIC	560PF 50V K SL	\$ 0.34
	C062	BCEL814780Z	CAPACITOR: ELECTROLYTIC	0.47UF 50V	\$ 0.33
	C063	BCEL812280Z	CAPACITOR: ELECTROLYTIC	0.22UF 50V	\$ 0.33
	C064	BCAZ11016Z	CAPACITOR: ELECTROLYTIC	100UF 10V M C-156	\$ 0.33
	C065	BCEL812290Z	CAPACITOR: ELECTROLYTIC	2.2UF 50V	\$ 0.33
	C066	BCEL811090Z	CAPACITOR: ELECTROLYTIC	1UF 50V	\$ 0.33
	C067			1	\$ 0.33
	C068	BCE811096Z	CAPACITOR: ELECTROLYTIC	1UF 50V M C-095	\$ 0.40
	C069			1	\$ 0.40
	C070			1	\$ 0.40
	C071	BCEL811090Z	CAPACITOR: ELECTROLYTIC	1UF 50V	\$ 0.33

(MODEL)	(SYMBOL)	(PARTS CODE)	(DESCRIPTION)	(QTY)	(LIST PRICE)
			M3X5 NI	4	\$ 0.09
			M2X12 NI	2	\$ 0.09
			M3X6 NI	4	\$ 0.09
			M3X8 BNI	4	\$ 0.09
			M3X8 NI	1	\$ 0.09
			D3.5X8 NI	2	\$ 0.03
			D5X10 NI	4	\$ 0.05
			M3X6 BNI	8	\$ 0.03
			M3X6 NI	4	\$ 0.07
			M3.0 NI	1	\$ 0.07
			M3 ZMC	4	\$ 0.07
			D5 NI	4	\$ 0.03
			D3.5 NI	2	\$ 0.02
			D5 NI	4	\$ 0.09
			D3X8 NI	3	\$ 0.02
			M3X5 NI	4	\$ 0.09
			M3X6 NI	2	\$ 0.09
			D3X8 NI	1	\$ 0.02
			M3X6 NI	4	\$ 0.09
			D3X8 NI	2	\$ 0.02
			D5 NI	1	\$ 0.02
			D3.5 NI	1	\$ 9.85
			P8-117AA	1	\$ 0.19
			P8-117AA	1	\$ 1.36
			P8-121BA	1	\$ 0.12
			P8-119AB	1	\$ 0.12
			P8-112AA	1	\$ 8.47
			P8-118AA	1	\$ 1.73
			P8-113BA	1	\$ 1.06
			P8-126AB	1	\$ 0.45
			P8-114AB	1	\$ 0.75
			P8-100AB	1	\$ 0.75
			P8-120AB	1	\$ 0.11
			P8-115AA	1	\$ 0.19
			P8-116AA	1	\$ 0.35
			39PF 50V K RH	1	\$ 0.17
			10UF 16V M C-095	1	\$ 0.28
			0.001UF 50V M YD	1	\$ 0.14
			0.01UF 50V Z YF	1	\$ 0.16
			22UF 10V	1	\$ 0.33
			0.01UF 50V Z YF	1	\$ 0.16
			0.01UF 50V Z YF	1	\$ 0.16
			4PF 50V C SL	1	\$ 0.16
			3PF 50V C SL	1	\$ 0.14
				1	\$ 0.14

UCA PARTS PRICE LIST

(SYMBOL)(PARTS CODE)	(DESCRIPTION)	(QTY)	(LIST PRICE)	(SYMBOL)(PARTS CODE)	(DESCRIPTION)	(QTY)	(LIST PRICE)
C072	BGG514725Z	CAPACITOR:SEMI-CONDUCTOR(SR)	0.0047UF 25V K	C127	BCCG813315Z	CAPACITOR:CERAMIC	330PF 50V K SL
C073	BGG511035Z	CAPACITOR:SEMI CONDUCTOR(SR)	0.01UF 25V K	C128	BCFR812286Z	CAPACITOR:ELECTROLYTIC	0.22UF 50V M C-095
C074	BGG514725Z	CAPACITOR:SEMI-CONDUCTOR(SR)	0.0047UF 25V K	C129	BCKG811030Z	CAPACITOR:CERAMIC	0.01UF 50V Z YF
C075	BCER112216Z	CAPACITOR:ELECTROLYTIC	220UF 10V M C-095	C130	BCFR114706Z	CAPACITOR:ELECTROLYTIC	47UF 10V M C-095
C076	BCFB811091Z	CAPACITOR:CERAMIC	1PF 50V C CK	C131	BCKG811030Z	CAPACITOR:CERAMIC	0.01UF 50V Z YF
C077	BCCB815091Z	CAPACITOR:CERAMIC	5PF 50V C CH	C132	BCCB812215Z	CAPACITOR:CERAMIC	220PF 50V K RH
C078	BCEL811090Z	CAPACITOR:ELECTROLYTIC	1UF 50V	C133	BCCG512235Z	CAPACITOR:SEMI-CONDUCTOR(SR)	0.022UF 25V K
C079	BCCG814715Z	CAPACITOR:CERAMIC	470PF 50V K SL	C134	BCKB815615Z	CAPACITOR:CERAMIC	560PF 50V K YB(B)
C080	BGAZ111016Z	CAPACITOR:ELECTROLYTIC	100UF 10V M C-156	C135	BCKG811030Z	CAPACITOR:CERAMIC	0.01UF 50V Z YF
C081	BCKG811030Z	CAPACITOR:CERAMIC	0.01UF 50V Z YF	C136	BCKD811026Z	CAPACITOR:CERAMIC	0.001UF 50V M YD
C082	BCCG811515Z	CAPACITOR:CERAMIC	150PF 50V K SL	C137	BCER112206Z	CAPACITOR:ELECTROLYTIC	22UF 10V M C-095
C083	BCCG812715Z	CAPACITOR:CERAMIC	270PF 50V K SL	C138	BCKG814720Z	CAPACITOR:CERAMIC	0.0047UF 50V Z YF
C084	BCFR812204Z	CAPACITOR:CERAMIC	22PF 50V J RH	C139	BCKG811030Z	CAPACITOR:CERAMIC	0.01UF 50V Z YF
C085	BCCB815605Z	CAPACITOR:CERAMIC	56PF 50V K RH	C140	BCCG514735Z	CAPACITOR:SEMI-CONDUCTOR(SR)	0.047UF 25V K
C086	BCCB811505Z	CAPACITOR:CERAMIC	15PF 50V K RH	C141	BCCG814715Z	CAPACITOR:CERAMIC	470PF 50V K SL
C087	BCEL814790Z	CAPACITOR:ELECTROLYTIC	4.7UF 50V	C142	BCKG811030Z	CAPACITOR:CERAMIC	0.01UF 50V Z YF
C088	BCEL114700Z	CAPACITOR:ELECTROLYTIC	47UF 10V	C143	BCCB811015Z	CAPACITOR:CERAMIC	100PF 50V K UJ
C089	BCEL811090Z	CAPACITOR:ELECTROLYTIC	1UF 50V	C144	BCCB813315Z	CAPACITOR:CERAMIC	330PF 50V K UJ
C090	BCEL114700Z	CAPACITOR:ELECTROLYTIC	47UF 10V	C145	BCKG811030Z	CAPACITOR:CERAMIC	0.01UF 50V Z YF
C091	BCCG512235Z	CAPACITOR:SEMI-CONDUCTOR(SR)	0.022UF 25V K	C146	BCCG511025Z	CAPACITOR:SEMI-CONDUCTOR(SR)	0.001UF 25V K
C092	BCCG511835Z	CAPACITOR:SEMI CONDUCTOR(SR)	0.018UF 25V K	C147	BCCG513335Z	CAPACITOR:SEMI-CONDUCTOR(SR)	0.033UF 25V K
C093	BCCG511035Z	CAPACITOR:SEMI CONDUCTOR(SR)	0.01UF 25V K	C148	BCEL812280Z	CAPACITOR:ELECTROLYTIC	0.22UF 50V
C094	BCEL114716Z	CAPACITOR:ELECTROLYTIC	470UF 10V M C-095	C149	BCCB811006Z	CAPACITOR:ELECTROLYTIC	100UF 16V M C-095
C095	BCCG511045Z	CAPACITOR:SEMI-CONDUCTOR(SR)	0.1UF 25V K	C150	BCKC514730Z	CAPACITOR:CERAMIC	0.047UF 25V Z ZF
C096	BCEL114706Z	CAPACITOR:ELECTROLYTIC	47UF 10V M C-095	C151	BCKG811030Z	CAPACITOR:CERAMIC	0.01UF 50V Z YF
C097	BCEL812290Z	CAPACITOR:ELECTROLYTIC	2.2UF 50V	C152	BCFR511026Z	CAPACITOR:ELECTROLYTIC	1000UF 25V M C-095
C098	BCEL814796Z	CAPACITOR:ELECTROLYTIC	4.7UF 50V M C-095	C153	BGAZ111016Z	CAPACITOR:ELECTROLYTIC	100UF 10V M C-156
C099	BCCG814796Z	CAPACITOR:CERAMIC	470PF 50V K SL	C154	BCCG511026Z	CAPACITOR:ELECTROLYTIC	1000UF 25V M C-095
C100	BCCG814715Z	CAPACITOR:CERAMIC	4.7UF 50V M C-095	C155	BCCG511035Z	CAPACITOR:SEMI CONDUCTOR(SR)	0.01UF 25V K
C101	BCEL814796Z	CAPACITOR:ELECTROLYTIC	4.7UF 50V M C-095	C156	BCKB811035Z	CAPACITOR:CERAMIC	0.01UF 50V K YB(B)
C102	BGG511045Z	CAPACITOR:SEMI-CONDUCTOR(SR)	0.1UF 25V K	C157	BCCB811015Z	CAPACITOR:CERAMIC	100PF 50V K RH
C103	BCKD811026Z	CAPACITOR:CERAMIC	0.001UF 50V YD	C159	BCFR114706Z	CAPACITOR:ELECTROLYTIC	47UF 10V M C-095
C104	BCCG514725Z	CAPACITOR:SEMI-CONDUCTOR(SR)	0.0047UF 25V K	C201	BCVR314726Z	C-CERAMIC MELF	4700PF 16V M X C-140 TAPE
C105	BCCG511035Z	CAPACITOR:SEMI CONDUCTOR(SR)	0.01UF 25V K	C202	BCEL814735Z	C-CERAMIC M/L (3216) TAPE	0.047UF 50V K C(B)
C106	BCCG514735Z	CAPACITOR:SEMI-CONDUCTOR(SR)	0.047UF 25V K	C204	BCEL811004Z	C-CERAMIC MELF	10UF 16V
C108	BCEL114700Z	CAPACITOR:ELECTROLYTIC	47UF 10V	C205	BCKE814735Z	C-CERAMIC M/L (3216) TAPE	0.047UF 50V K C(B)
C109	BCEL811090Z	CAPACITOR:ELECTROLYTIC	1UF 50V	C206	BCVR314726Z	C-CERAMIC MELF	4700PF 16V M X C-140 TAPE
C110	BCEB811006Z	CAPACITOR:ELECTROLYTIC	10UF 16V M C-095	C207	BCVP811025Z	C-CERAMIC MELF	0.001U 50V K B C-140 TAPE
C111	BCEL311000Z	CAPACITOR:ELECTROLYTIC	100UF 16V	C208	BCVP818205Z	C-CERAMIC MELF	82PF 50V K B C-140 TAPE
C112	BCCR811015Z	CAPACITOR:CERAMIC	100PF 50V K RH	C209	BCVQ311036Z	C-CERAMIC MELF	0.01UF 16V M Y C-140 TAPE
C113	BCCB813305Z	CAPACITOR:CERAMIC	33PF 50V K RH	C210	BCEB814786Z	CAPACITOR:ELECTROLYTIC	0.47UF 50V M C-095
C114	BCCR811815Z	CAPACITOR:CERAMIC	180PF 50V K RH	C212	BCVP813315Z	C-CERAMIC MELF	330PF 50V K B C-140 TAPE
C115	BCCB811515Z	CAPACITOR:CERAMIC	150PF 50V K RH	C213	BCVP811025Z	C-CERAMIC MELF	0.001U 50V K B C-140 TAPE
C116	BCCG813915Z	CAPACITOR:CERAMIC	390PF 50V K SL	C214	BCEL311000Z	CAPACITOR:ELECTROLYTIC	10UF 16V
C118	BCKG814720Z	CAPACITOR:CERAMIC	0.0047UF 50V Z YF	C215	BCVP813315Z	C-CERAMIC MELF	330PF 50V K B C-140 TAPE
C119	BCEB814786Z	CAPACITOR:ELECTROLYTIC	0.47UF 50V M C-095	C216	BCVQ311036Z	C-CERAMIC MELF	0.01UF 16V M Y C-140 TAPE
C120	BCCG815615Z	CAPACITOR:CERAMIC	560PF 50V K SL	C300	BCEL814790Z	CAPACITOR:ELECTROLYTIC	4.7UF 50V
C121	BCCG511025Z	CAPACITOR:SEMI-CONDUCTOR(SR)	0.001UF 25V K	C301	BCEB814735Z	C-CERAMIC M/L (3216) TAPE	0.047UF 50V K C(B)
C122	BCKG811030Z	CAPACITOR:CERAMIC	0.01UF 50V Z YF	C302	BCEL112200Z	CAPACITOR:ELECTROLYTIC	22UF 10V
C123	BCKD811026Z	CAPACITOR:CERAMIC	0.001UF 50V M YD	C303	BCEB114796Z	CAPACITOR:ELECTROLYTIC	4.7UF 10V M C-089
C124	BCCG815615Z	CAPACITOR:CERAMIC	560PF 50V K SL	C304	BCVP811025Z	C-CERAMIC MELF	0.001U 50V K B C-140 TAPE
C125	BCCG8118215Z	CAPACITOR:CERAMIC	820PF 50V K SL	C305	BCVQ311036Z	C-CERAMIC MELF	0.01UF 16V M Y C-140 TAPE
C126	BCCG8118215Z	CAPACITOR:CERAMIC	820PF 50V K SL	C306	BCEL811090Z	CAPACITOR:ELECTROLYTIC	1UF 50V

(SYMBOL)(PARTS CODE)	(DESCRIPTION)	(QTY)	(LIST PRICE)	(SYMBOL)(PARTS CODE)	(DESCRIPTION)	(QTY)	(LIST PRICE)
C308	BCVP811815Z	C-CERAMIC MELF	180PF 50V K B C-140 TAPE 1	C363	BCVP811815Z	C-CERAMIC MELF	4700PF 16V M X C-140 TAPE 1
C309	BCXE813935Z	C-CERAMIC M/L (3216) TAPE	0.039UF 50V K C(B) 1	C364	BCVP811025Z	C-CERAMIC MELF	0.001U 50V K B C-140 TAPE 1
C310	BCXL814790Z	CAPACITOR:ELECTROLYTIC	4.7UF 50V 1	C365	BCVP811025Z	C-CERAMIC MELF	0.001U 50V K B C-140 TAPE 1
C311	BCGC513335Z	CAPACITOR:SEMI-CONDUCTOR(SR)	0.033UF 25V K 1	C366	BCXE814735Z	C-CERAMIC M/L (3216) TAPE	0.047UF 50V K C(B) 1
C312	BCXD811015Z	C-CERAMIC M/L (3216) TAPE	100PF 50V J CH C-140 TAPE 1	C367	BCVP811025Z	C-CERAMIC MELF	0.001U 50V K B C-140 TAPE 1
C313	BCVM811804Z	C-CERAMIC MELF	18PF 50V J CH C-140 TAPE 1	C368	BCVL813904Z	C-CERAMIC MELF	39PF 50V J SL C-140 TAPE 1
C314	BCXD812215Z	C-CERAMIC M/L (3216) TAPE	220PF 50V K CG 1	C369	BCVQ311036Z	C-CERAMIC MELF	0.01UF 16V M Y C-140 TAPE 1
C315	BCVM812091Z	C-CERAMIC MELF	2PF 50V C CH C-140 TAPE 1	C370	BCVQ311036Z	C-CERAMIC MELF	0.01UF 16V M Y C-140 TAPE 1
C316	BCXD816805Z	C-CERAMIC M/L (3216) TAPE	68PF 50V K CG 1	C371	BCVP811025Z	C-CERAMIC MELF	0.001U 50V K B C-140 TAPE 1
C317	BCVP811025Z	C-CERAMIC MELF	0.001U 50V K B C-140 TAPE 1	C372	BCVQ311036Z	C-CERAMIC MELF	0.001U 50V K B C-140 TAPE 1
C318	BCVQ311036Z	C-CERAMIC MELF	0.01UF 16V M Y C-140 TAPE 1	C373	BCVM815092Z	C-CERAMIC MELF	5PF 50V D CH C-140 TAPE 1
C319	BCGC511035Z	CAPACITOR:SEMI CONDUCTOR(SR)	0.01UF 25V K 1	C374	BCVM811004Z	C-CERAMIC MELF	10PF 50V J CH C-140 TAPE 1
C320	BCXL814790Z	CAPACITOR:ELECTROLYTIC	4.7UF 50V 1	C375	BCXL814790Z	CAPACITOR:ELECTROLYTIC	4.7UF 50V 1
C321	BCXE814735Z	C-CERAMIC M/L (3216) TAPE	0.047UF 50V K C(B) 1	C376	BCVQ311036Z	C-CERAMIC MELF	0.01UF 16V M Y C-140 TAPE 1
C322	BCVP811025Z	C-CERAMIC MELF	0.001U 50V K B C-140 TAPE 1	C377	BCVP811025Z	C-CERAMIC MELF	0.001U 50V K B C-140 TAPE 1
C323	BCVQ311036Z	C-CERAMIC MELF	0.01UF 16V M Y C-140 TAPE 1	C378	BCVP811025Z	C-CERAMIC MELF	0.001U 50V K B C-140 TAPE 1
C324	BCVL815604Z	C-CERAMIC MELF	56PF 50V J SL C-140 TAPE 1	C379	BCVL813304Z	C-CERAMIC MELF	33PF 50V J SL C-140 TAPE 1
C325	BCVP811025Z	C-CERAMIC MELF	0.001U 50V K B C-140 TAPE 1	C380	BCXL814790Z	CAPACITOR:ELECTROLYTIC	4.7UF 50V 1
C326	BCVL819092Z	C-CERAMIC MELF	9PF 50V D SL C-140 TAPE 1	C381	BCXL814790Z	CAPACITOR:ELECTROLYTIC	4.7UF 50V 1
C327	BCVL812204Z	C-CERAMIC MELF	22PF 50V J SL C-140 TAPE 1	C382	BCXE814725Z	C-CERAMIC M/L (3216) TAPE	0.0047UF 50V K C(B) 1
C328	BCVL813904Z	C-CERAMIC MELF	39PF 50V J SL C-140 TAPE 1	C383	BCVQ311036Z	C-CERAMIC MELF	0.01UF 16V M Y C-140 TAPE 1
C329	BCVL816092Z	C-CERAMIC MELF	6PF 50V D SL C-140 TAPE 1	C384	BCVQ311036Z	C-CERAMIC MELF	0.01UF 16V M Y C-140 TAPE 1
C330	BCVP813915Z	C-CERAMIC MELF	390PF 50V K B C-140 TAPE 1	C385	BCXL811090Z	CAPACITOR:ELECTROLYTIC	1UF 50V 1
C331	BCVL811804Z	C-CERAMIC MELF	18PF 50V J SL C-140 TAPE 1	C386	BCVQ311036Z	C-CERAMIC MELF	0.01UF 16V M Y C-140 TAPE 1
C332	BCVQ311036Z	C-CERAMIC MELF	0.01UF 16V M Y C-140 TAPE 1	C387	BCXE812235Z	C-CERAMIC M/L (3216) TAPE	0.022UF 50V K C(B) 1
C333	BCVP811515Z	C-CERAMIC MELF	150PF 50V K B C-140 TAPE 1	C388	BCXL812296Z	CAPACITOR:ELECTROLYTIC	2.2UF 50V M 1
C334	BCVP811025Z	C-CERAMIC MELF	0.001U 50V K B C-140 TAPE 1	C389	BCVP811025Z	C-CERAMIC MELF	0.001U 50V K B C-140 TAPE 1
C335	BCVP811025Z	C-CERAMIC MELF	0.001U 50V K B C-140 TAPE 1	C390	BCXL811080Z	CAPACITOR:ELECTROLYTIC	0.1UF 50V 1
C336	BCVP811025Z	C-CERAMIC MELF	0.001U 50V K B C-140 TAPE 1	C391	BCVQ311036Z	C-CERAMIC MELF	0.01UF 16V M Y C-140 TAPE 1
C337	BCVL811504Z	C-CERAMIC MELF	15PF 50V J SL C-140 TAPE 1	C392	BCVQ311036Z	C-CERAMIC MELF	0.01UF 16V M Y C-140 TAPE 1
C338	BCVL818092Z	C-CERAMIC MELF	8PF 50V D SL C-140 TAPE 1	C393	BCVQ311036Z	C-CERAMIC MELF	0.01UF 16V M Y C-140 TAPE 1
C339	BCVL812704Z	C-CERAMIC MELF	27PF 50V J SL C-140 TAPE 1	C394	BCVQ311036Z	C-CERAMIC MELF	0.01UF 16V M Y C-140 TAPE 1
C340	BCVL812204Z	C-CERAMIC MELF	22PF 50V J SL C-140 TAPE 1	C395	BCVQ311036Z	C-CERAMIC MELF	0.01UF 16V M Y C-140 TAPE 1
C341	BCVL812091Z	C-CERAMIC MELF	2PF 50V C SL C-140 TAPE 1	C396	BCVQ311036Z	C-CERAMIC MELF	0.01UF 16V M Y C-140 TAPE 1
C342	BCVL811804Z	C-CERAMIC MELF	18PF 50V J SL C-140 TAPE 1	C397	BCVQ311036Z	C-CERAMIC MELF	0.01UF 16V M Y C-140 TAPE 1
C343	BCXE814735Z	C-CERAMIC M/L (3216) TAPE	0.047UF 50V K C(B) 1	C398	BCVQ311036Z	C-CERAMIC MELF	0.01UF 16V M Y C-140 TAPE 1
C344	BCVL811804Z	C-CERAMIC MELF	18PF 50V J SL C-140 TAPE 1	C399	BCVQ311036Z	C-CERAMIC MELF	0.01UF 16V M Y C-140 TAPE 1
C345	BCVL811504Z	C-CERAMIC MELF	15PF 50V J SL C-140 TAPE 1	C400	BCVQ311036Z	C-CERAMIC MELF	0.01UF 16V M Y C-140 TAPE 1
C346	BCVL818092Z	C-CERAMIC MELF	8PF 50V D SL C-140 TAPE 1	C401	BCVQ311036Z	C-CERAMIC MELF	0.01UF 16V M Y C-140 TAPE 1
C347	BCVL811504Z	C-CERAMIC MELF	15PF 50V J SL C-140 TAPE 1	C402	BCVQ311036Z	C-CERAMIC MELF	0.01UF 16V M Y C-140 TAPE 1
C348	BCVP811025Z	C-CERAMIC MELF	0.001U 50V K B C-140 TAPE 1	C403	BCVQ311036Z	C-CERAMIC MELF	0.01UF 16V M Y C-140 TAPE 1
C349	BCVP811015Z	C-CERAMIC MELF	100PF 50V K B C-140 TAPE 1	C404	BCVQ311036Z	C-CERAMIC MELF	0.01UF 16V M Y C-140 TAPE 1
C350	BCXL814780Z	CAPACITOR:ELECTROLYTIC	0.47UF 50V 1	C405	BCVQ311036Z	C-CERAMIC MELF	0.01UF 16V M Y C-140 TAPE 1
C351	BCVP811015Z	C-CERAMIC MELF	100PF 50V K B C-140 TAPE 1	C406	BCVQ311036Z	C-CERAMIC MELF	0.01UF 16V M Y C-140 TAPE 1
C352	BCXE814735Z	C-CERAMIC M/L (3216) TAPE	0.047UF 50V K C(B) 1	C407	BCVQ311036Z	C-CERAMIC MELF	0.01UF 16V M Y C-140 TAPE 1
C353	BCVP811025Z	C-CERAMIC MELF	0.001U 50V K B C-140 TAPE 1	C408	BCVQ311036Z	C-CERAMIC MELF	0.01UF 16V M Y C-140 TAPE 1
C354	BCXE814735Z	C-CERAMIC M/L (3216) TAPE	0.047UF 50V K C(B) 1	C409	BCVQ311036Z	C-CERAMIC MELF	0.01UF 16V M Y C-140 TAPE 1
C355	BCVP811025Z	C-CERAMIC MELF	0.001U 50V K B C-140 TAPE 1	C410	BCVQ311036Z	C-CERAMIC MELF	0.01UF 16V M Y C-140 TAPE 1
C356	BCVP811025Z	C-CERAMIC MELF	0.001U 50V K B C-140 TAPE 1	C411	BCVQ311036Z	C-CERAMIC MELF	0.01UF 16V M Y C-140 TAPE 1
C357	BCXD811515Z	C-CERAMIC M/L (3216) TAPE	150PF 50V K CG 1	C412	BCVQ311036Z	C-CERAMIC MELF	0.01UF 16V M Y C-140 TAPE 1
C358	BCXD814715Z	C-CERAMIC M/L (3216) TAPE	470PF 50V K CG 1	C413	BCVQ311036Z	C-CERAMIC MELF	0.01UF 16V M Y C-140 TAPE 1
C359	BCXD815092Z	C-CERAMIC MELF	5PF 50V D CH C-140 TAPE 1	C501	BCVQ311036Z	CAPACITOR:ELECTROLYTIC	4.7UF 50V 1
C360	BCVM811204Z	C-CERAMIC MELF	12PF 50V J CH C-140 TAPE 1	C502	BCVQ311036Z	CAPACITOR:ELECTROLYTIC	3.3UF 50V 1
C361	BCXD811015Z	C-CERAMIC M/L (3216) TAPE	100PF 50V K CG 1	C503	BCVQ311036Z	CAPACITOR:ELECTROLYTIC	100UF 6.3V M C-156
C362	BCXD811015Z	C-CERAMIC M/L (3216) TAPE	100PF 50V K CG 1	C551	BCVQ311036Z	CAPACITOR:CERAMIC	0.01UF 50V Z YF
				C552	BCVQ311036Z	CAPACITOR:SEMI-CONDUCTOR(SR)	0.022UF 25V K
				C801	BCVQ311036Z	D10DE	MC-301
				D101	BCVQ311036Z	D10DE	
				D102	BCVQ311036Z	D10DE	
				D103	BCVQ311036Z	D10DE	
				D104	BCVQ311036Z	D10DE	
				D105	BCVQ311036Z	D10DE	

(SYMBOL)(PARTS CODE) (DESCRIPTION)	(QTY) (LIST PRICE)	(SYMBOL)(PARTS CODE) (DESCRIPTION)	(QTY) (LIST PRICE)
D106 BDAY0258001 DIODE	1 \$ 0.09	D164 BDFY0058001 VARISTOR	1 \$ 1.66
D107 1M4148,UNIDEN	1 \$ 0.09	D165 1M4148,UNIDEN	1 \$ 1.66
D108	1 \$ 0.09	D166 BDAY0258001 DIODE	1 \$ 0.09
D109	1 \$ 0.09	D167	1 \$ 0.09
D110	1 \$ 0.09	D168	1 \$ 0.09
D111 BDAY0001001 DIODE	1 \$ 0.33	D169	1 \$ 0.09
D112 1M60 AM	1 \$ 0.33	D170	1 \$ 0.09
D113 BDAY0258001 DIODE	1 \$ 0.09	D171	1 \$ 0.09
D114	1 \$ 0.09	D172	1 \$ 0.09
D115	1 \$ 0.09	D173	1 \$ 0.09
D116	1 \$ 0.09	D174	1 \$ 0.09
D117 BDAY0001001 DIODE	1 \$ 0.33	D175	1 \$ 0.09
D118	1 \$ 0.33	D176	1 \$ 0.09
D119 BDAY0258001 DIODE	1 \$ 0.09	D177	1 \$ 0.09
D120	1 \$ 0.09	D178	1 \$ 0.09
D121	1 \$ 0.09	D201	1 \$ 0.33
D122	1 \$ 0.09	D202	1 \$ 0.33
D123	1 \$ 0.09	D203	1 \$ 0.24
D124	1 \$ 0.09	D301	1 \$ 0.96
D125	1 \$ 0.09	D303	1 \$ 0.96
D126	1 \$ 0.09	D304	1 \$ 0.96
D127	1 \$ 0.09	D305	1 \$ 0.96
D128	1 \$ 0.09	D306	1 \$ 0.96
D129	1 \$ 0.09	D307	1 \$ 0.96
D131	1 \$ 0.09	D308	1 \$ 3.77
D132	1 \$ 0.09	D311	1 \$ 0.24
D133	1 \$ 0.09	D312	1 \$ 0.21
D134	1 \$ 0.09	D313	1 \$ 0.21
D135 BDFY0004003 VARISTOR	1 \$ 1.10	D315	1 \$ 0.24
D136 BDAY0258001 DIODE	1 \$ 0.09	D316	1 \$ 0.21
D137	1 \$ 0.09	D318	1 \$ 0.24
D138	1 \$ 0.09	D319	1 \$ 0.24
D139	1 \$ 0.09	D321	1 \$ 0.24
D140	1 \$ 0.09	D322	1 \$ 0.24
D141	1 \$ 0.09	D323	1 \$ 0.24
D142	1 \$ 0.09	D324	1 \$ 0.24
D143	1 \$ 0.09	D551	1 \$ 0.34
D144	1 \$ 0.09	D552	1 \$ 0.34
D145	1 \$ 0.09	J301	1 \$ 0.61
D146 BDAY0269003 DIODE;ZENER	1 \$ 0.26	J302	1 \$ 0.93
D147 BDAY0269002 DIODE;ZENER	1 \$ 0.26	J303	1 \$ 0.93
D148 BDAY0258001 DIODE	1 \$ 0.09	J304	1 \$ 1.22
D149	1 \$ 0.09	J305	1 \$ 1.22
D150	1 \$ 0.09	J306	1 \$ 0.93
D151	1 \$ 0.09	J307	1 \$ 0.61
D152	1 \$ 0.12	J308	1 \$ 0.61
D153	1 \$ 0.12	J311	1 \$ 1.29
D154 BDAY0258001 DIODE	1 \$ 0.09	J312	1 \$ 1.29
D155	1 \$ 0.09	J513	1 \$ 2.11
D156	1 \$ 0.09	J651	1 \$ 4.86
D157	1 \$ 0.09	L101	1 \$ 1.77
D158	1 \$ 0.09	L102	1 \$ 0.34
D159	1 \$ 0.09	L103	1 \$ 0.34
D160	1 \$ 0.09	L104	1 \$ 1.33
D163	1 \$ 0.09	L105	1 \$ 1.33



(SYMBOL)(PARTS CODE) (DESCRIPTION)	(QTY) (LIST PRICE)	(SYMBOL)(PARTS CODE) (DESCRIPTION)	(QTY) (LIST PRICE)
L106 BLZY0016471 INDUCTOR:MOLDED	LZ-016 5L0609-471K 470UH 1 \$ 0.46	Q112 B08C0945507 TRANSISTOR	DB-224 25C945A-Q 1 \$ 0.53
L107		Q113	
L108		Q114	
L109 BLZY0016101 INDUCTOR:MOLDED	LZ-016 5L0609-101K 100UH 1 \$ 0.46	Q115	
L111 BLBY0342001 COIL	LB-342 199CC-13524R 1 \$ 1.33	Q116	
L113 BLBY0341001 COIL	LB-341 199CC-13499A 1 \$ 1.33	Q117	
L115		Q118	
L116 BLBY0209001 COIL	LB-209 113CN-6485Z 1 \$ 2.44	Q119	DB-259 25C1675-L 1 \$ 0.61
L117 BLBY0137001 COIL	LB-137 113CN-6344Z 1 \$ 1.06	Q120	DB-003 25A733A-P 1 \$ 0.57
L118		Q121	DB-224 25C945A-Q 1 \$ 0.53
L121 BLFY0096001 COIL	LE-096 8 1/2T 1 \$ 1.06	Q122	
L122 BLFY0092001 COIL	LE-092 6 1/2T 1 \$ 0.17	Q123	
L123 BLFY0093001 COIL	LE-093 7 1/2T 1 \$ 0.16	Q124	DB-272 25C1973-SSB 1 \$ 3.25
L124 BLDY0228001 COIL	LD-228 AT0502T-3012 1 \$ 0.70	Q125	DB-106 25B525-C 1 \$ 0.75
L126 BLDY0221001 COIL	LD-221 1 \$ 1.62	Q126	DB-003 25C945A-Q 1 \$ 0.53
L129 BLDY0087001 COIL	LD-087 8F04-3*5*1 1 \$ 0.20	Q127	DB-383 25C3242A-E 1 \$ 0.81
L131		Q128	DB-224 25C945A-Q 1 \$ 0.53
L132 BLFY0201001 COIL	LE-201 02.4 3 1/2T 1 \$ 0.19	Q129	
L134 BLDY0229001 COIL	LD-229 1 \$ 3.07	Q131	
L135 BLDY0230001 COIL	LD-230 1 \$ 3.89	Q132	DB-529 MRF-477 1 \$ 0.53
L136		Q133	DB-331 25C2166-C 1 \$ 5.02
L203 BLFY0125001 COIL	LF-125 332PC-2673Y 1 \$ 2.51	Q134	DB-228 25C2086-D 1 \$ 2.19
L301 BLFY0246001 COIL	LE-246 00.6 3 1/2T 1 \$ 1.87	Q135	DB-224 25C945A-Q 1 \$ 0.53
L302 BLFY0132001 COIL	LF-132 A294SN-14641B 1 \$ 1.87	Q136	
L303 BLFY0131001 COIL	LF-131 A294SN-1373AQ 1 \$ 1.87	Q137	DB-381 25C2712-Y TAPING 1 \$ 0.42
L304		Q138	DB-003 25A733A-P 1 \$ 0.57
L305 BLZY0051339 INDUCTOR:MOLDED	LZ-051 SPO305-3R3K 3.3UH 1 \$ 0.81	Q201	DB-744 25C2814-F5 TAPING 1 \$ 0.40
L306 BLZY0051479 INDUCTOR:MOLDED	LZ-051 SPO305-4R7K 4.7UH 1 \$ 1.06	Q202	
L307		Q203	
L308 BLZY0051100 INDUCTOR:MOLDED	LZ-051 SPO305-100K 10UH 1 \$ 0.81	Q204	DB-743 25C2812-L5 TAPING 1 \$ 0.32
L309 BLZY0051689 INDUCTOR:MOLDED	LZ-051 SPO305-6R8K 6.8UH 1 \$ 0.34	Q205	
L310 BLFY0159001 COIL	LF-159 341LC-1286N 1 \$ 2.51	Q206	DB-048 25A1179-M6 TAPING 1 \$ 0.36
L311 BLZY0051689 INDUCTOR:MOLDED	LZ-051 SPO305-6R8K 6.8UH 1 \$ 0.34	Q207	DB-744 25C2814-F5 TAPING 1 \$ 0.40
L312 BLZY0051279 INDUCTOR:MOLDED	LZ-051 SPO305-2R7M 2.7UH 1 \$ 0.34	Q301	DB-724 25C3121 TAPING 1 \$ 1.14
L313 BLFY0130001 COIL	LF-130 A294SN-1372AQ 1 \$ 1.87	Q302	
L314 BLFY0131001 COIL	LF-131 A294SN-1373AQ 1 \$ 1.87	Q303	
L315 BLFY0172001 COIL	LF-172 A294SN-15291B 1 \$ 1.87	Q304	
L316 BLZY0044682 INDUCTOR:MOLDED	LZ-044 262LY-682K 6.8MH 1 \$ 1.50	Q305	DC-025 25K302-Y TAPING 1 \$ 1.45
L317 BLFY0134001 COIL	LF-134 A294SNS-15071B 1 \$ 1.87	Q306	
L318 BLFY0133001 COIL	LF-133 A294SNS-14411B 1 \$ 1.87	Q307	
L319 BLFY0158001 COIL	LF-158 341LC-1282FQZ 1 \$ 2.51	Q308	DB-744 25C2814-F5 TAPING 1 \$ 0.40
L401 BLFY0072001 COIL	LF-072 5PLC-1055Z 1 \$ 2.76	Q311	DB-048 25A1179-M6 TAPING 1 \$ 0.36
L651 BLZY0051471 INDUCTOR:MOLDED	LZ-051 SPO305-471K 470UH 1 \$ 0.81	Q312	
L652		Q313	
L653		Q314	
Q101 B08C1674111 TRANSISTOR	DB-295 25C1674-L 1 \$ 0.73	Q315	DB-381 25C2712-Y TAPING 1 \$ 0.42
Q102 B08C0192553 FIELD EFFECT TRANSISTOR	DC-019 25K192A-BL 1 \$ 0.99	Q316	DB-048 25A1179-M6 TAPING 1 \$ 0.36
Q103 B08C1675111 TRANSISTOR	DB-259 25C1675-L 1 \$ 0.61	Q317	DB-381 25C2712-Y TAPING 1 \$ 0.42
Q104 B08C1674111 TRANSISTOR	DB-295 25C1674-L 1 \$ 0.73	Q401	DB-744 25C2814-F5 TAPING 1 \$ 0.40
Q105 B08C1675111 TRANSISTOR	DB-259 25C1675-L 1 \$ 0.61	R001	R: CARBON AXIAL LEAD(TAPE) 5.6K 1/6W J 1 \$ 0.05
Q106		R002	R: CARBON AXIAL LEAD(TAPE) 8.2K 1/6W J 1 \$ 0.05
Q107 B08C1730111 TRANSISTOR	DB-269 25C1730-L 1 \$ 1.21	R003	R: CARBON AXIAL LEAD(TAPE) 1K 1/6W J 1 \$ 0.05
Q108 B08C0945507 TRANSISTOR	DB-224 25C945A-Q 1 \$ 0.53	R004	R: CARBON AXIAL LEAD(TAPE) 1-5K 1/6W J 1 \$ 0.05
Q109		R005	RESISTOR: CARBON MELF CHIP 68K 1/8W J TAPING 1 \$ 0.09
Q111		R006	R: CARBON AXIAL LEAD(TAPE) 100 1/6W J 1 \$ 0.05

(SYMBOL)(PARTS CODE)	(DESCRIPTION)	(QTY)	(LIST PRICE)	(SYMBOL)(PARTS CODE)	(DESCRIPTION)	(QTY)	(LIST PRICE)
R007	BRFT6184724Z	R: CARBON AXIAL LEAD(TAPE)	4.7K 1/6W J	R063	BRFT614734Z	R: CARBON AXIAL LEAD(TAPE)	47K 1/6W J
R008	BRFT611014Z	R: CARBON AXIAL LEAD(TAPE)	100 1/6W J	R064	BRFT613324Z	R: CARBON AXIAL LEAD(TAPE)	3.3K 1/6W J
R009	BRFT613324Z	R: CARBON AXIAL LEAD(TAPE)	3.3K 1/6W J	R065	BRUB612224Z	RESISTOR: CARBON FORMED VERT	2.2K 1/6W J
R010	BRFT613314Z	R: CARBON AXIAL LEAD(TAPE)	330 1/6W J	R066	BRFT611034Z	R: CARBON AXIAL LEAD(TAPE)	10K 1/6W J
R011	BRFT611034Z	R: CARBON AXIAL LEAD(TAPE)	10K 1/6W J	R067	BRFT611024Z	R: CARBON AXIAL LEAD(TAPE)	10K 1/6W J
R012	BRFT618214Z	R: CARBON AXIAL LEAD(TAPE)	820 1/6W J	R068	BRFT611034Z	R: CARBON AXIAL LEAD(TAPE)	10K 1/6W J
R013	BRFT616814Z	R: CARBON AXIAL LEAD(TAPE)	680 1/6W J	R069	BRFT611024Z	R: CARBON AXIAL LEAD(TAPE)	1K 1/6W J
R014	BRFT618224Z	R: CARBON AXIAL LEAD(TAPE)	8.2K 1/6W J	R070	DRFT613924Z	R: CARBON AXIAL LEAD(TAPE)	3.9K 1/6W J
R015	BRFT612234Z	R: CARBON AXIAL LEAD(TAPE)	22K 1/6W J	R071	BRFT612224Z	R: CARBON AXIAL LEAD(TAPE)	2.2K 1/6W J
R016	BRFT611024Z	R: CARBON AXIAL LEAD(TAPE)	1K 1/6W J	R072	BRFT611024Z	R: CARBON AXIAL LEAD(TAPE)	1K 1/6W J
R018	BRFT615624Z	R: CARBON AXIAL LEAD(TAPE)	5.6K 1/6W J	R073	BRFT613314Z	R: CARBON AXIAL LEAD(TAPE)	330 1/6W J
R019	BRFT611024Z	R: CARBON AXIAL LEAD(TAPE)	1K 1/6W J	R074	BRFT611514Z	R: CARBON AXIAL LEAD(TAPE)	150 1/6W J
R020	BRFT615624Z	R: CARBON AXIAL LEAD(TAPE)	5.6K 1/6W J	R075	BRFT611014Z	R: CARBON AXIAL LEAD(TAPE)	100 1/6W J
R021	BRFT611224Z	R: CARBON AXIAL LEAD(TAPE)	1.2K 1/6W J	R076	BRFT611544Z	R: CARBON AXIAL LEAD(TAPE)	150K 1/6W J
R022	BRFD182234Z	RESISTOR: CARBON MELF CHIP	22K 1/8W J	R077	BRFT612744Z	R: CARBON AXIAL LEAD(TAPE)	270K 1/6W J
R023	BRFT616814Z	R: CARBON AXIAL LEAD(TAPE)	680 1/6W J	R078	BRFT611554Z	R: CARBON AXIAL LEAD(TAPE)	1.5M 1/6W J
R024	BRUB612224Z	RESISTOR: CARBON FORMED VERT	2.2K 1/6W J	R079	BRUB618224Z	RESISTOR: CARBON FORMED VERT	8.2K 1/6W J
R026	BRFT614734Z	R: CARBON AXIAL LEAD(TAPE)	47K 1/6W J	R080	BRUB611044Z	RESISTOR: CARBON FORMED VERT	100K 1/6W J
R027	BRFT611014Z	R: CARBON AXIAL LEAD(TAPE)	100 1/6W J	R081	BRFT614734Z	R: CARBON AXIAL LEAD(TAPE)	47K 1/6W J
R028	BRFT612714Z	R: CARBON AXIAL LEAD(TAPE)	270 1/6W J	R082	BRUB611034Z	RESISTOR: CARBON FORMED VERT	10K 1/6W J
R029	BRFT611514Z	R: CARBON AXIAL LEAD(TAPE)	150 1/6W J	R084	BRFT611034Z	R: CARBON AXIAL LEAD(TAPE)	10K 1/6W J
R030	BRFT611034Z	R: CARBON AXIAL LEAD(TAPE)	10K 1/6W J	R085	BRFT614744Z	R: CARBON AXIAL LEAD(TAPE)	470K 1/6W J
R031	BRUB616804Z	RESISTOR: CARBON FORMED VERT	68 1/6W J	R086	BRFT611014Z	R: CARBON AXIAL LEAD(TAPE)	100 1/6W J
R032	BRFT612224Z	R: CARBON AXIAL LEAD(TAPE)	2.2K 1/6W J	R087	BRUB611034Z	RESISTOR: CARBON FORMED VERT	10K 1/6W J
R033	BRFT613324Z	R: CARBON AXIAL LEAD(TAPE)	3.3K 1/6W J	R088	BRFT612734Z	R: CARBON AXIAL LEAD(TAPE)	27K 1/6W J
R034	BRUB611524Z	RESISTOR: CARBON FORMED VERT	1.5K 1/6W J	R089	BRFT614734Z	R: CARBON AXIAL LEAD(TAPE)	47K 1/6W J
R035	BRFT611044Z	R: CARBON AXIAL LEAD(TAPE)	100K 1/6W J	R090	BRFT612734Z	R: CARBON AXIAL LEAD(TAPE)	27K 1/6W J
R036	BRUB611044Z	RESISTOR: CARBON FORMED VERT	100K 1/6W J	R091	BRUB614734Z	RESISTOR: CARBON FORMED VERT	47K 1/6W J
R038	BRFT611044Z	R: CARBON AXIAL LEAD(TAPE)	100K 1/6W J	R092	BRUB615604Z	RESISTOR: CARBON FORMED VERT	56 1/6W J
R039	BRUB616814Z	RESISTOR: CARBON FORMED VERT	680 1/6W J	R093	BRFT612224Z	R: CARBON AXIAL LEAD(TAPE)	2.2K 1/6W J
R040	BRFT611014Z	R: CARBON AXIAL LEAD(TAPE)	100 1/6W J	R094	BRUB614724Z	RESISTOR: CARBON FORMED VERT	4.7K 1/6W J
R041	BRFT613334Z	R: CARBON AXIAL LEAD(TAPE)	33K 1/6W J	R095	BRUB612754Z	RESISTOR: CARBON FORMED VERT	2.7M 1/6W J
R042	BRFT618234Z	R: CARBON AXIAL LEAD(TAPE)	82K 1/6W J	R096	BRUB613324Z	RESISTOR: CARBON FORMED VERT	3.3K 1/6W J
R043	BRFT613934Z	R: CARBON AXIAL LEAD(TAPE)	39K 1/6W J	R097	BRUB613324Z	RESISTOR: CARBON FORMED VERT	3.3K 1/6W J
R044	BRFT618244Z	R: CARBON AXIAL LEAD(TAPE)	820K 1/6W J	R098	BRUB614724Z	RESISTOR: CARBON FORMED VERT	4.7K 1/6W J
R045	BRFT612224Z	R: CARBON AXIAL LEAD(TAPE)	2.2K 1/6W J	R099	BRFT613324Z	R: CARBON AXIAL LEAD(TAPE)	3.3K 1/6W J
R046	BRFT611544Z	R: CARBON AXIAL LEAD(TAPE)	150K 1/6W J	R100	BRUB612244Z	RESISTOR: CARBON FORMED VERT	220K 1/6W J
R047	BRFT611024Z	R: CARBON AXIAL LEAD(TAPE)	1K 1/6W J	R101	BRUB612244Z	RESISTOR: CARBON FORMED VERT	220K 1/6W J
R048	BRFT611034Z	R: CARBON AXIAL LEAD(TAPE)	10K 1/6W J	R102	BRFT611524Z	R: CARBON AXIAL LEAD(TAPE)	1.5K 1/6W J
R049	BRUB611524Z	RESISTOR: CARBON FORMED VERT	1.5K 1/6W J	R103	BRFT614734Z	R: CARBON AXIAL LEAD(TAPE)	47K 1/6W J
R050	BRFT612744Z	R: CARBON AXIAL LEAD(TAPE)	270K 1/6W J	R104	BRUB614744Z	RESISTOR: CARBON FORMED VERT	470K 1/6W J
R051	BRFT611044Z	R: CARBON AXIAL LEAD(TAPE)	100K 1/6W J	R105	BRUB614714Z	RESISTOR: CARBON FORMED VERT	470 1/6W J
R053	BRFT611034Z	R: CARBON AXIAL LEAD(TAPE)	10K 1/6W J	R106	BRUB615624Z	RESISTOR: CARBON FORMED VERT	5.6K 1/6W J
R054	BRUB611044Z	RESISTOR: CARBON FORMED VERT	100K 1/6W J	R107	BRUB612234Z	RESISTOR: CARBON FORMED VERT	22K 1/6W J
R055	BRFT611044Z	R: CARBON AXIAL LEAD(TAPE)	100K 1/6W J	R108	BRUB614714Z	RESISTOR: CARBON FORMED VERT	470 1/6W J
R056	BRUB616834Z	RESISTOR: CARBON FORMED VERT	68K 1/6W J	R109	BRUB611524Z	RESISTOR: CARBON FORMED VERT	1.5K 1/6W J
R057	BRFT611054Z	R: CARBON AXIAL LEAD(TAPE)	1M 1/6W J	R110	BRFT612224Z	R: CARBON AXIAL LEAD(TAPE)	2.2K 1/6W J
R058	BRFT616834Z	R: CARBON AXIAL LEAD(TAPE)	68K 1/6W J	R111	BRFT611024Z	R: CARBON AXIAL LEAD(TAPE)	1K 1/6W J
R059	BRUB612244Z	RESISTOR: CARBON FORMED VERT	220K 1/6W J	R112	BRUB611034Z	RESISTOR: CARBON FORMED VERT	10K 1/6W J
R060	BRUB612734Z	RESISTOR: CARBON FORMED VERT	27K 1/6W J	R114	BRFT612224Z	R: CARBON AXIAL LEAD(TAPE)	2.2K 1/6W J
R061	BRFT18324Z	R: CARBON AXIAL LEAD(TAPE)	3.3K 1/8W J	R115	BRFT611014Z	R: CARBON AXIAL LEAD(TAPE)	100 1/6W J
R062	BRFT611024Z	R: CARBON AXIAL LEAD(TAPE)	1K 1/6W J	R116	BRFT614714Z	R: CARBON AXIAL LEAD(TAPE)	470 1/6W J
				R117	BRFT611834Z	R: CARBON AXIAL LEAD(TAPE)	18K 1/6W J

(SYMBOL)(PARTS CODE)	(DESCRIPTION)	(QTY)	(LIST PRICE)	(SYMBOL)(PARTS CODE)	(DESCRIPTION)	(QTY)	(LIST PRICE)
R118	BRFT611524Z R:CARBON AXIAL LEAD(TAPE)	1	\$ 0.05	R173	BRFT613324Z R:CARBON AXIAL LEAD(TAPE)	1	\$ 0.05
R119	BRUB611034Z RESISTOR:CARBON FORMED VERT	1	\$ 0.07	R174	BRFT616834Z R:CARBON AXIAL LEAD(TAPE)	1	\$ 0.05
R120	BRFT611524Z R:CARBON AXIAL LEAD(TAPE)	1	\$ 0.05	R175	BRFT613304Z R:CARBON AXIAL LEAD(TAPE)	1	\$ 0.05
R121	BRUB613324Z RESISTOR:CARBON FORMED VERT	1	\$ 0.07	R176	BRFT611014Z R:CARBON AXIAL LEAD(TAPE)	1	\$ 0.05
R122	BRFT613324Z R:CARBON AXIAL LEAD(TAPE)	1	\$ 0.05	R177	BRFT611524Z R:CARBON AXIAL LEAD(TAPE)	1	\$ 0.05
R123	BRUB618214Z RESISTOR:CARBON FORMED VERT	1	\$ 0.07	R178	BRFT614734Z R:CARBON AXIAL LEAD(TAPE)	1	\$ 0.05
R124	BRFT611024Z R:CARBON AXIAL LEAD(TAPE)	1	\$ 0.05	R179	BRFT613324Z R:CARBON AXIAL LEAD(TAPE)	1	\$ 0.05
R125	BRUB611034Z RESISTOR:CARBON FORMED VERT	1	\$ 0.07	R180	BRFT614704Z R:CARBON AXIAL LEAD(TAPE)	1	\$ 0.05
R126	BRUB612234Z RESISTOR:CARBON FORMED VERT	1	\$ 0.07	R181	BRFT611524Z R:CARBON AXIAL LEAD(TAPE)	1	\$ 0.05
R127	BRUB611524Z RESISTOR:CARBON FORMED VERT	1	\$ 0.07	R182	BRFT614714Z R:CARBON AXIAL LEAD(TAPE)	1	\$ 0.05
R128	BRFT611024Z R:CARBON AXIAL LEAD(TAPE)	1	\$ 0.05	R183	BRUB611024Z RESISTOR:CARBON FORMED VERT	1	\$ 0.07
R129	BRUB611024Z RESISTOR:CARBON FORMED VERT	1	\$ 0.07	R184	BRFT612224Z R:CARBON AXIAL LEAD(TAPE)	1	\$ 0.05
R130	BRFT612224Z R:CARBON AXIAL LEAD(TAPE)	1	\$ 0.05	R185	BRFT611524Z R:CARBON AXIAL LEAD(TAPE)	1	\$ 0.05
R131	BRFT611034Z R:CARBON AXIAL LEAD(TAPE)	1	\$ 0.05	R186	BRFT614734Z R:CARBON AXIAL LEAD(TAPE)	1	\$ 0.05
R132	BRFT614744Z R:CARBON AXIAL LEAD(TAPE)	1	\$ 0.05	R187	BRFT611034Z R:CARBON AXIAL LEAD(TAPE)	1	\$ 0.05
R133	BRFT614724Z R:CARBON AXIAL LEAD(TAPE)	1	\$ 0.05	R188	BRUB611034Z RESISTOR:CARBON FORMED VERT	1	\$ 0.07
R134	BRUB614724Z RESISTOR:CARBON FORMED VERT	1	\$ 0.07	R189	BRUB614734Z RESISTOR:CARBON FORMED VERT	1	\$ 0.07
R135	BRUB612244Z RESISTOR:CARBON FORMED VERT	1	\$ 0.05	R190	BRUB612244Z RESISTOR:CARBON FORMED VERT	1	\$ 0.07
R136	BRFT611034Z R:CARBON AXIAL LEAD(TAPE)	1	\$ 0.05	R191	BRFT613324Z R:CARBON AXIAL LEAD(TAPE)	1	\$ 0.05
R137	BRUB614724Z RESISTOR:CARBON FORMED VERT	1	\$ 0.07	R192	BRFT613324Z R:CARBON AXIAL LEAD(TAPE)	1	\$ 0.05
R138	BRUB612234Z RESISTOR:CARBON FORMED VERT	1	\$ 0.07	R193	BRUB611024Z RESISTOR:CARBON FORMED VERT	1	\$ 0.07
R139	BRFT611034Z R:CARBON AXIAL LEAD(TAPE)	1	\$ 0.05	R194	BRFT614734Z R:CARBON AXIAL LEAD(TAPE)	1	\$ 0.03
R140	BRFT615614Z R:CARBON AXIAL LEAD(TAPE)	1	\$ 0.05	R195	BRFT614734Z R:CARBON AXIAL LEAD(TAPE)	1	\$ 0.03
R141	BRZY0025001 JUMPER CHIP	1	\$ 0.09	R196	BRUB611034Z RESISTOR:CARBON FORMED VERT	1	\$ 0.03
R142	BRUB611034Z RESISTOR:CARBON FORMED VERT	1	\$ 0.07	R197	BRUB612234Z RESISTOR:CARBON FORMED VERT	1	\$ 0.07
R143	BRFT611094Z R:CARBON AXIAL LEAD(TAPE)	1	\$ 0.05	R198	BRUB611024Z RESISTOR:CARBON FORMED VERT	1	\$ 0.07
R144	BRFT611044Z R:CARBON AXIAL LEAD(TAPE)	1	\$ 0.05	R199	BRZY0025001 JUMPER CHIP	1	\$ 0.09
R145	BRFT612214Z R:CARBON AXIAL LEAD(TAPE)	1	\$ 0.05	R200	BRZY0025001 JUMPER CHIP	1	\$ 0.09
R146	BRFT612234Z R:CARBON AXIAL LEAD(TAPE)	1	\$ 0.05	R201	BRFD181034Z RESISTOR:CARBON Melf CHIP	1	\$ 0.09
R147	BRFT615634Z R:CARBON AXIAL LEAD(TAPE)	1	\$ 0.05	R202	BRFD182214Z RESISTOR:CARBON Melf CHIP	1	\$ 0.09
R148	BRFT614724Z R:CARBON AXIAL LEAD(TAPE)	1	\$ 0.05	R203	BRFD183334Z RESISTOR:CARBON Melf CHIP	1	\$ 0.09
R149	BRFT613324Z R:CARBON AXIAL LEAD(TAPE)	1	\$ 0.05	R204	BRFD186814Z RESISTOR:CARBON Melf CHIP	1	\$ 0.09
R150	BRUB611234Z RESISTOR:CARBON FORMED VERT	1	\$ 0.07	R205	BRFD181014Z RESISTOR:CARBON Melf CHIP	1	\$ 0.09
R151	BRFT611524Z R:CARBON AXIAL LEAD(TAPE)	1	\$ 0.05	R206	BRFD184734Z RESISTOR:CARBON Melf CHIP	1	\$ 0.09
R152	BRFT615614Z R:CARBON AXIAL LEAD(TAPE)	1	\$ 0.05	R207	BRFD181524Z RESISTOR:CARBON Melf CHIP	1	\$ 0.09
R153	BRUB613304Z RESISTOR:CARBON FORMED VERT	1	\$ 0.07	R208	BRFD183314Z RESISTOR:CARBON Melf CHIP	1	\$ 0.09
R154	BRFT616844Z R:CARBON AXIAL LEAD(TAPE)	1	\$ 0.05	R209	BRFD186804Z RESISTOR:CARBON Melf CHIP	1	\$ 0.09
R155	BRFT611034Z R:CARBON AXIAL LEAD(TAPE)	1	\$ 0.05	R210	BRFT181044Z R:CARBON AXIAL LEAD(TAPE)	1	\$ 0.03
R156	BRFT613324Z R:CARBON AXIAL LEAD(TAPE)	1	\$ 0.05	R211	BRZY0025001 JUMPER CHIP	1	\$ 0.09
R157	BRFT611004Z R:CARBON AXIAL LEAD(TAPE)	1	\$ 0.05	R212	BRFD181034Z RESISTOR:CARBON Melf CHIP	1	\$ 0.09
R158	BRFT128204Z R:CARBON AXIAL LEAD(TAPE)	1	\$ 0.05	R213	BRZY0025001 JUMPER CHIP	1	\$ 0.09
R159	BRFT613314Z R:CARBON AXIAL LEAD(TAPE)	1	\$ 0.05	R214	BRFD181034Z RESISTOR:CARBON Melf CHIP	1	\$ 0.09
R160	BRUB611024Z RESISTOR:CARBON FORMED VERT	1	\$ 0.07	R215	BRFD184744Z RESISTOR:CARBON Melf CHIP	1	\$ 0.09
R161	BRUB614704Z RESISTOR:CARBON FORMED VERT	1	\$ 0.07	R216	BRFD181034Z RESISTOR:CARBON Melf CHIP	1	\$ 0.09
R162	BRFT611014Z R:CARBON AXIAL LEAD(TAPE)	1	\$ 0.05	R217	BRFD181034Z RESISTOR:CARBON Melf CHIP	1	\$ 0.09
R163	BRFT611504Z R:CARBON AXIAL LEAD(TAPE)	1	\$ 0.05	R218	BRFD183314Z RESISTOR:CARBON Melf CHIP	1	\$ 0.09
R164	BRFT611514Z R:CARBON AXIAL LEAD(TAPE)	1	\$ 0.05	R219	BRFD183314Z RESISTOR:CARBON Melf CHIP	1	\$ 0.09
R165	BRUB613314Z RESISTOR:CARBON FORMED VERT	1	\$ 0.07	R220	BRFD181034Z RESISTOR:CARBON Melf CHIP	1	\$ 0.09
R166	BRFT611524Z R:CARBON AXIAL LEAD(TAPE)	1	\$ 0.07	R221	BRFD181034Z RESISTOR:CARBON Melf CHIP	1	\$ 0.09
R167	BRUB611014Z RESISTOR:CARBON FORMED VERT	1	\$ 0.07	R222	BRFC181064Z RESISTOR:CARBON FIXED CHIP	1	\$ 0.09
R168	BRFT611024Z R:CARBON AXIAL LEAD(TAPE)	1	\$ 0.05	R302	BRFD188224Z RESISTOR:CARBON Melf CHIP	1	\$ 0.09
R169	BRFT611524Z R:CARBON AXIAL LEAD(TAPE)	1	\$ 0.05	R303	BRFT611034Z R:CARBON AXIAL LEAD(TAPE)	1	\$ 0.05
R170	BRUB611024Z RESISTOR:CARBON FORMED VERT	1	\$ 0.07	R304	BRFD181034Z RESISTOR:CARBON Melf CHIP	1	\$ 0.09
R171	BRFT611014Z R:CARBON AXIAL LEAD(TAPE)	1	\$ 0.05	R305	BRFD184724Z RESISTOR:CARBON Melf CHIP	1	\$ 0.09
R172		1	\$ 0.05	R306	BRFD181024Z RESISTOR:CARBON Melf CHIP	1	\$ 0.09
				R307	BRFD181024Z RESISTOR:CARBON Melf CHIP	1	\$ 0.09
				R308	BRFD181034Z RESISTOR:CARBON Melf CHIP	1	\$ 0.09

(SYMBOL)(PARTS CODE)	(DESCRIPTION)	(QTY)	(LIST PRICE)	(SYMBOL)(PARTS CODE)	(DESCRIPTION)	(QTY)	(LIST PRICE)
R309	BRFT183324Z R:CARBON AXIAL LEAD(TAPE)	1	\$ 0.03	R371	BRFD182224Z RESISTOR:CARBON MELF CHIP	1	\$ 0.09
R311	BRFD181034Z RESISTOR:CARBON MELF CHIP	1	\$ 0.09	R372	BRFD181054Z RESISTOR:CARBON MELF CHIP	1	\$ 0.09
R312		1	\$ 0.09	R374	BRFD181044Z RESISTOR:CARBON MELF CHIP	1	\$ 0.09
R313	BRFD181534Z RESISTOR:CARBON MELF CHIP	1	\$ 0.09	R375	BRFD181034Z RESISTOR:CARBON MELF CHIP	1	\$ 0.09
R314	BRFD181024Z RESISTOR:CARBON MELF CHIP	1	\$ 0.09	R376		1	\$ 0.09
R315		1	\$ 0.09	R377	BRFD181024Z RESISTOR:CARBON MELF CHIP	1	\$ 0.09
R316	BRFD181234Z RESISTOR:CARBON MELF CHIP	1	\$ 0.09	R379	BRFD181044Z RESISTOR:CARBON MELF CHIP	1	\$ 0.09
R317	BRFT181034Z R:CARBON AXIAL LEAD(TAPE)	1	\$ 0.03	R381	BRFD181034Z RESISTOR:CARBON MELF CHIP	1	\$ 0.09
R318	BRFD181014Z RESISTOR:CARBON MELF CHIP	1	\$ 0.09	R382		1	\$ 0.09
R319		1	\$ 0.09	R383		1	\$ 0.09
R320	BRFD183314Z RESISTOR:CARBON MELF CHIP	1	\$ 0.09	R384		1	\$ 0.09
R321	BRFT183314Z R:CARBON AXIAL LEAD(TAPE)	1	\$ 0.03	R385		1	\$ 0.09
R322	BRFD181024Z RESISTOR:CARBON MELF CHIP	1	\$ 0.09	R387	BRFD181024Z RESISTOR:CARBON MELF CHIP	1	\$ 0.09
R323	BRFT611024Z R:CARBON AXIAL LEAD(TAPE)	1	\$ 0.03	R391	BRFD182744Z RESISTOR:CARBON MELF CHIP	1	\$ 0.09
R324	BRFD184704Z RESISTOR:CARBON MELF CHIP	1	\$ 0.09	R392	BRFD184724Z RESISTOR:CARBON MELF CHIP	1	\$ 0.09
R325	BRFD182224Z RESISTOR:CARBON MELF CHIP	1	\$ 0.09	R393	BRFD184714Z RESISTOR:CARBON MELF CHIP	1	\$ 0.09
R326	BRFD181024Z RESISTOR:CARBON MELF CHIP	1	\$ 0.09	R394	BRFD186814Z RESISTOR:CARBON MELF CHIP	1	\$ 0.09
R327	BRFD188214Z RESISTOR:CARBON MELF CHIP	1	\$ 0.09	R395	BRFD186824Z RESISTOR:CARBON MELF CHIP	1	\$ 0.09
R328	BRUB184714Z RESISTOR:CARBON FORMED VERT	1	\$ 0.07	R402	BRFD181234Z RESISTOR:CARBON MELF CHIP	1	\$ 0.09
R329	BRFD184704Z RESISTOR:CARBON MELF CHIP	1	\$ 0.09	R403	BRFD182234Z RESISTOR:CARBON MELF CHIP	1	\$ 0.09
R331	BRFD181024Z RESISTOR:CARBON MELF CHIP	1	\$ 0.09	R404	BRFD181024Z RESISTOR:CARBON MELF CHIP	1	\$ 0.09
R332		1	\$ 0.09	R405		1	\$ 0.09
R333	BRFD181034Z RESISTOR:CARBON MELF CHIP	1	\$ 0.09	R406	BRFT614714Z R:CARBON AXIAL LEAD(TAPE)	1	\$ 0.05
R334		1	\$ 0.09	R407	BRFD181024Z RESISTOR:CARBON MELF CHIP	1	\$ 0.09
R335	BRFD183324Z RESISTOR:CARBON MELF CHIP	1	\$ 0.09	R408	BRFD181014Z RESISTOR:CARBON MELF CHIP	1	\$ 0.09
R336	BRFD181034Z RESISTOR:CARBON MELF CHIP	1	\$ 0.09	R409	BRFD181004Z RESISTOR:CARBON MELF CHIP	1	\$ 0.09
R337		1	\$ 0.09	R411	BRFD182224Z RESISTOR:CARBON MELF CHIP	1	\$ 0.09
R338	BRFD182234Z RESISTOR:CARBON MELF CHIP	1	\$ 0.09	R412		1	\$ 0.09
R339	BRFD181814Z RESISTOR:CARBON MELF CHIP	1	\$ 0.09	R413	BRFD184734Z RESISTOR:CARBON MELF CHIP	1	\$ 0.09
R341		1	\$ 0.09	R414	BRFD186834Z RESISTOR:CARBON MELF CHIP	1	\$ 0.09
R342	BRFD183324Z RESISTOR:CARBON MELF CHIP	1	\$ 0.09	R415	BRFD181014Z RESISTOR:CARBON MELF CHIP	1	\$ 0.09
R343	BRFD182214Z RESISTOR:CARBON MELF CHIP	1	\$ 0.09	R416	BRFD181034Z RESISTOR:CARBON MELF CHIP	1	\$ 0.09
R344	BRFD184724Z RESISTOR:CARBON MELF CHIP	1	\$ 0.09	R451		1	\$ 0.09
R345	BRFD185624Z RESISTOR:CARBON MELF CHIP	1	\$ 0.09	R457		1	\$ 0.09
R346	BRFD186814Z RESISTOR:CARBON MELF CHIP	1	\$ 0.09	R458		1	\$ 0.09
R347	BRFT611524Z R:CARBON AXIAL LEAD(TAPE)	1	\$ 0.05	R459		1	\$ 0.09
R348	BRFD183324Z RESISTOR:CARBON MELF CHIP	1	\$ 0.09	R461		1	\$ 0.09
R349	BRFD181814Z RESISTOR:CARBON MELF CHIP	1	\$ 0.09	R462		1	\$ 0.09
R351	BRFD181524Z RESISTOR:CARBON MELF CHIP	1	\$ 0.09	R463		1	\$ 0.09
R352	BRFD181814Z RESISTOR:CARBON MELF CHIP	1	\$ 0.09	R464		1	\$ 0.09
R353	BRFD183324Z RESISTOR:CARBON MELF CHIP	1	\$ 0.09	R465		1	\$ 0.09
R354	BRFT184724Z R:CARBON AXIAL LEAD(TAPE)	1	\$ 0.03	R466		1	\$ 0.09
R355	BRZV0025001 JUMPER CHIP	1	\$ 0.09	R478		1	\$ 0.09
R356	BRFT611034Z R:CARBON AXIAL LEAD(TAPE)	1	\$ 0.05	R481		1	\$ 0.09
R357	BRFD181034Z RESISTOR:CARBON MELF CHIP	1	\$ 0.09	R482	BRFD184724Z RESISTOR:CARBON MELF CHIP	1	\$ 0.09
R358	BRFD184724Z RESISTOR:CARBON MELF CHIP	1	\$ 0.09	R483		1	\$ 0.09
R359	BRFD181224Z RESISTOR:CARBON MELF CHIP	1	\$ 0.09	R484		1	\$ 0.09
R360	BRFD186834Z RESISTOR:CARBON MELF CHIP	1	\$ 0.09	R485		1	\$ 0.09
R361	BRFD181224Z RESISTOR:CARBON MELF CHIP	1	\$ 0.09	R486		1	\$ 0.09
R362	BRFD181034Z RESISTOR:CARBON MELF CHIP	1	\$ 0.09	R487		1	\$ 0.09
R363	BRFD181024Z RESISTOR:CARBON MELF CHIP	1	\$ 0.09	R488		1	\$ 0.09
R364	BRFD185624Z RESISTOR:CARBON MELF CHIP	1	\$ 0.09	R489		1	\$ 0.09
R365	BRFT6113934Z R:CARBON AXIAL LEAD(TAPE)	1	\$ 0.05	R491		1	\$ 0.09
R366	BRFD183324Z RESISTOR:CARBON MELF CHIP	1	\$ 0.09	R492		1	\$ 0.09
R370	BRFD181524Z RESISTOR:CARBON MELF CHIP	1	\$ 0.09	R495		1	\$ 0.09

(SYMBOL)(PARTS CODE)	(DESCRIPTION)	(QTY)	(LIST PRICE)	(SYMBOL)(PARTS CODE)	(DESCRIPTION)	(QTY)	(LIST PRICE)					
R496	BRFD181034Z	RESISTOR:CARBON MELF CHIP	1	\$	0.09	T101	CUH0016021Z	WIRE	UL 1007 #26 5-160- 3 ORG	1	\$	0.13
R501	BRUB612244Z	RESISTOR:CARBON FORMED VERT	1	\$	0.07		CUH0006021Z	WIRE	UL 1007 #26 5- 60- 3 YEL	1	\$	0.09
R502	BRUB611034Z	RESISTOR:CARBON FORMED VERT	1	\$	0.07		CUH0006021Z	WIRE	UL 1007 #26 5- 60- 3 BLU	1	\$	0.09
R504			1	\$	0.07		CUH0015021Z	WIRE	UL 1007 #26 5-150- 3 PINK	1	\$	0.12
R505			1	\$	0.07	X101	80XY0122002	CRYSTAL	QX-122 10.6975	1	\$	4.21
R506	BRUB612234Z	RESISTOR:CARBON FORMED VERT	1	\$	0.07	X301	80XY0122001	CRYSTAL	QX-122 10.2417	1	\$	4.21
R507	BRUB615604Z	RESISTOR:CARBON FORMED VERT	1	\$	0.07	X302	80XY0287001	CRYSTAL	QX-287 22.0MHZ	1	\$	4.21
R508	BRUB614734Z	RESISTOR:CARBON FORMED VERT	1	\$	0.07	Y301	80Y00548001	CERAMIC RESONATOR	YY-548 CSA2.000MK	1	\$	4.86
R509	BRUB611034Z	RESISTOR:CARBON FORMED VERT	1	\$	0.07		BFL Y0271001	FILTER	FL-271 21958-302	1	\$	10.93
R551	BRFT612214Z	R:CARBON AXIAL LEAD(TAPE)	1	\$	0.05	FT102	8FL Y0090001	FILTER:CRYSTAL	FL-090 UMF-058(10.695)	1	\$	4.21
R552	BRFT611514Z	R:CARBON AXIAL LEAD(TAPE)	1	\$	0.05	FT104	8FL Y0272001	FILTER	FL-272 21958-303	1	\$	10.93
R601	BRFT614704Z	R:CARBON AXIAL LEAD(TAPE)	1	\$	0.05	FT401	8FL Y0048001	FILTER:CEAMIC	FL-048 SFE10.7MS2-H	1	\$	1.62
R652	BRFT611514Z	R:CARBON AXIAL LEAD(TAPE)	1	\$	0.05	FT402	8FL Y0066001	FILTER:CEAMIC	FL-066 CFW455HT	1	\$	14.58
R652	BRFT611524Z	R:CARBON AXIAL LEAD(TAPE)	1	\$	0.05	FC101	80EY0312001	INTEGRATED CIRCUIT	NJM2902N	1	\$	2.83
R653			1	\$	0.05	IC103	80EY0603001	INTEGRATED CIRCUIT	TD1905	1	\$	5.02
R801	BRFT612224Z	R:CARBON AXIAL LEAD(TAPE)	1	\$	0.05	IC104	80EY0218001	INTEGRATED CIRCUIT	NJM4558S	1	\$	1.33
R802	BRFT611024Z	R:CARBON AXIAL LEAD(TAPE)	1	\$	0.05	IC105	80EY0130001	INTEGRATED CIRCUIT	AM612	1	\$	7.28
S601	BSWY0549001	SWITCH:PUSH	1	\$	3.07	IC106	80EY0364001	INTEGRATED CIRCUIT	TA7320P	1	\$	5.66
S602	BSWY0629001	SWITCH:PUSH	1	\$	3.07	IC107	80EY0483001	INTEGRATED CIRCUIT	HA17808M	1	\$	2.44
S604			1	\$	2.76	IC301	80EY1084001	INTEGRATED CIRCUIT	PLL0305A	1	\$	10.18
S605			1	\$	2.76	IC302	80EY1020001	INTEGRATED CIRCUIT	SM6152A1	1	\$	16.84
S606			1	\$	2.76	IC303	80EY1108001	INTEGRATED CIRCUIT	M54460L	1	\$	11.34
S607	BSWY0549001	SWITCH:PUSH	1	\$	3.07	IC304	80EY0132001	INTEGRATED CIRCUIT	S042P	1	\$	5.27
S608			1	\$	3.07	IC306	80EY1110001	INTEGRATED CIRCUIT	NJM3404AS	1	\$	5.27
S609	BSWY0560001	SWITCH:TACT	1	\$	3.07	IC311	80EY0996001	INTEGRATED CIRCUIT	L78M08CV	1	\$	5.27
S612			1	\$	1.29	IC312	80EY0995001	INTEGRATED CIRCUIT	L78M05CV	1	\$	2.44
S801	BSWY0549001	SWITCH:PUSH	1	\$	3.07	IC314	80EY1098001	INTEGRATED CIRCUIT	M519538L	1	\$	2.92
S802			1	\$	3.07	IC315	80EY1281001	INTEGRATED CIRCUIT	UC1201	1	\$	27.37
S901	BSRY0404001	SWITCH:ROTARY	1	\$	9.61	IC316	80EY1155001	INTEGRATED CIRCUIT	HD140938P	1	\$	2.11
S911	BSRY0405001	SWITCH:ROTARY	1	\$	10.18	IC401	80EY0389001	INTEGRATED CIRCUIT	IR3N06	1	\$	3.40
T101	BTFY0083001	TRANSFORMER:AF CHOKE	1	\$	1.58	IC501	80EY1136001	INTEGRATED CIRCUIT	IR2429	1	\$	20.05
	CUH020044Z	WIRE	1	\$	0.14	IC502	80EY1021001	INTEGRATED CIRCUIT	LH5008TP	1	\$	17.00
	CUH015044Z	WIRE	1	\$	0.12	JP001	80Y0052001	JUMPER WIRE	YY-052 5.0MM	1	\$	0.03
	CUH012044Z	WIRE	1	\$	0.12	JP002	80Y0052003	JUMPER WIRE	YY-052 10.0MM	1	\$	0.03
	CUH012044Z	WIRE	1	\$	0.11	JP004	80Y0052002	JUMPER WIRE	YY-052 7.5MM	1	\$	0.03
	CUH008044Z	WIRE	1	\$	0.09	JP006	80Y0052005	JUMPER WIRE	YY-052 15.0MM	1	\$	0.03
	CUH010044Z	WIRE	1	\$	0.09	JP007	80Y0052002	JUMPER WIRE	YY-052 7.5MM	1	\$	0.03
	CUH010044Z	WIRE	1	\$	0.09	JP009	80Y0052001	JUMPER WIRE	YY-052 5.0MM	1	\$	0.03
	CUH014044Z	WIRE	1	\$	0.12	JP010	80Y0052003	JUMPER WIRE	YY-052 10.0MM	1	\$	0.03
	CUH020044Z	WIRE	1	\$	0.12	JP011	80Y0052002	JUMPER WIRE	YY-052 7.5MM	1	\$	0.03
	CUH008044Z	WIRE	1	\$	0.09	JP012	80Y0052005	JUMPER WIRE	YY-052 15.0MM	1	\$	0.03
	CUH003041Z	WIRE	1	\$	0.09	JP013	80Y0052001	JUMPER WIRE	YY-052 5.0MM	1	\$	0.03
	CUH010044Z	WIRE	1	\$	0.09	JP014	80Y0052002	JUMPER WIRE	YY-052 7.5MM	1	\$	0.03
	CUH010044Z	WIRE	1	\$	0.11	JP016	80Y0052004	JUMPER WIRE	YY-052 12.5MM	1	\$	0.03
	CUH014044Z	WIRE	1	\$	0.12	JP018	80Y0052002	JUMPER WIRE	YY-052 7.5MM	1	\$	0.03
	CUH012044Z	WIRE	1	\$	0.11	JP019	80Y0052001	JUMPER WIRE	YY-052 5.0MM	1	\$	0.03
	CUH01044Z	WIRE	1	\$	0.11	JP020	80Y0052001	JUMPER WIRE	YY-052 5.0MM	1	\$	0.03
	CUH010044Z	WIRE	1	\$	0.09	JP021	80Y0052003	JUMPER WIRE	YY-052 10.0MM	1	\$	0.03
	CUH005011Z	WIRE	1	\$	0.07	JP022				1	\$	0.03
	CUH016011Z	WIRE	1	\$	0.13	JP023				1	\$	0.03
			1	\$		JP024				1	\$	

(SYMBOL)(PARTS CODE)	(DESCRIPTION)	(QTY)	(LIST PRICE)	(SYMBOL)(PARTS CODE)	(DESCRIPTION)	(QTY)	(LIST PRICE)
JP025	BYYY0052007 JUMPER WIRE	1	\$ 0.03	JP801	BYYY0052002 JUMPER WIRE	1	\$ 0.03
JP026	BYYY0052001 JUMPER WIRE	1	\$ 0.03	JP802	BYYY0052003 JUMPER WIRE	1	\$ 0.03
JP027	BYYY0052005 JUMPER WIRE	1	\$ 0.03	LC501	BOL Y0027001 LIQUID CRYSTAL DISPLAY	1	\$ 24.72
JP028	BYYY0052003 JUMPER WIRE	1	\$ 0.03	MC511	8MKY0388001 MICROPHONE	1	\$ 24.00
JP029	BYYY0052001 JUMPER WIRE	1	\$ 0.03	PL501	BPLY0102001 P.ILOT LAMP	1	\$ 1.99
JP030		1	\$ 0.03	RR301	8HAY0117001 R:ARRAY	1	\$ 2.67
JP031		1	\$ 0.03	RR302	8HAY0096001 R:ARRAY	1	\$ 2.90
JP032	BYYY0052002 JUMPER WIRE	1	\$ 0.03	RR303	8HAY0093001 R:ARRAY	1	\$ 1.73
JP033	BYYY0052003 JUMPER WIRE	1	\$ 0.03	SP551	8SPY0181001 SPEAKER	1	\$ 6.24
JP034	BYYY0052007 JUMPER WIRE	1	\$ 0.03	TP002	BTPY0044001 TERMINAL:CHECK POINT	1	\$ 0.21
JP035	BYYY0052005 JUMPER WIRE	1	\$ 0.03	TP003		1	\$ 0.21
JP036	BYYY0052003 JUMPER WIRE	1	\$ 0.03	TP004		1	\$ 0.21
JP037		1	\$ 0.03	VR101	BRTY0528223 RESISTOR:SEMI-FIXED	1	\$ 1.06
JP038	BYYY0052002 JUMPER WIRE	1	\$ 0.03	VR102	BRTY0528473 RESISTOR:SEMI-FIXED	1	\$ 1.06
JP039		1	\$ 0.03	VR103	BRTY0528103 RESISTOR:SEMI-FIXED	1	\$ 1.06
JP040	BYYY0052001 JUMPER WIRE	1	\$ 0.03	VR104		1	\$ 1.06
JP041	BYYY0052007 JUMPER WIRE	1	\$ 0.03	VR105		1	\$ 1.06
JP042	BYYY0052001 JUMPER WIRE	1	\$ 0.03	VR106		1	\$ 1.06
JP043	BYYY0052002 JUMPER WIRE	1	\$ 0.03	VR107		1	\$ 1.06
JP044	BYYY0052003 JUMPER WIRE	1	\$ 0.03	VR111	BRTY0528103 RESISTOR:SEMI-FIXED	1	\$ 1.06
JP046	BYYY0052001 JUMPER WIRE	1	\$ 0.03	VR112	BRTY0182103 RESISTOR:SEMI-FIXED	1	\$ 1.01
JP047		1	\$ 0.03	VR113	BRTY0182102 RESISTOR:SEMI-FIXED	1	\$ 1.01
JP048		1	\$ 0.03	VR114	BRTY0528102 RESISTOR:SEMI-FIXED	1	\$ 1.06
JP049	BYYY0052003 JUMPER WIRE	1	\$ 0.03	VR115	BRTY0528103 RESISTOR:SEMI-FIXED	1	\$ 1.06
JP050	BYYY0052001 JUMPER WIRE	1	\$ 0.03	VR116		1	\$ 1.06
JP051		1	\$ 0.03	VR117	BRTY0528473 RESISTOR:SEMI-FIXED	1	\$ 1.06
JP052		1	\$ 0.03	VR302	BRTY0528101 RESISTOR:SEMI-FIXED	1	\$ 1.06
JP053		1	\$ 0.03	VR303		1	\$ 1.06
JP054	BYYY0052003 JUMPER WIRE	1	\$ 0.03	VR601	BRYV0672001 RESISTOR:VARIABLE	1	\$ 5.27
JP055	BYYY0052004 JUMPER WIRE	1	\$ 0.03	VR701	BRYV0677001 RESISTOR:VARIABLE	1	\$ 5.27
JP056		1	\$ 0.03	VR702	BRYV0678001 RESISTOR:VARIABLE	1	\$ 5.27
JP057		1	\$ 0.03	VR801	BRYV0652001 RESISTOR:VARIABLE	1	\$ 5.27
JP058		1	\$ 0.03	VR802	BRYV0679001 RESISTOR:VARIABLE	1	\$ 5.27
JP061	BYYY0052002 JUMPER WIRE	1	\$ 0.03	CZDZ071399Z	WIRES ASSEMBLED	1	\$ 9.08
JP063	BYYY0052003 JUMPER WIRE	1	\$ 0.03	CZDZ071398Z	WIRES ASSEMBLED	1	\$ 6.81
JP064	BYYY0052002 JUMPER WIRE	1	\$ 0.03	CZDZ071396Z	WIRES ASSEMBLED	1	\$ 9.08
JP065	BYYY0052001 JUMPER WIRE	1	\$ 0.03	CZDZ071395Z	WIRES ASSEMBLED	1	\$ 6.81
JP066	BYYY0052004 JUMPER WIRE	1	\$ 0.03	CZDZ071394Z	WIRES ASSEMBLED	1	\$ 6.83
JP067	BYYY0052002 JUMPER WIRE	1	\$ 0.03	CZDZ071392Z	WIRES ASSEMBLED	1	\$ 3.40
JP068	BYYY0052001 JUMPER WIRE	1	\$ 0.03	CZDZ071391Z	WIRES ASSEMBLED	1	\$ 20.40
JP069	BYYY0052002 JUMPER WIRE	1	\$ 0.03	CZDZ071389Z	WIRES ASSEMBLED	1	\$ 2.26
JP070	BYYY0052001 JUMPER WIRE	1	\$ 0.03	CZDZ071388Z	WIRES ASSEMBLED	1	\$ 4.54
JP071		1	\$ 0.03	MA015	BWZY0692001 CORD	1	\$ 4.05
JP072	BYYY0052004 JUMPER WIRE	1	\$ 0.03	MA016	BWZY0693001 CORD	1	\$ 4.19
JP073		1	\$ 0.03	MA018	BWZY0727001 CORD	1	\$ 0.07
JP074	BYYY0052001 JUMPER WIRE	1	\$ 0.03	MA019	BWZY0721001 DC CORD	1	\$ 0.07
JP075		1	\$ 0.03	MA021	BWZY071401Z WIRES ASSEMBLED	1	\$ 2.81
JP076	BYYY0052003 JUMPER WIRE	1	\$ 0.03	MA022	BWZY0715001 WIRE ASSEMBLED	1	\$ 0.65
JP077	BYYY0052001 JUMPER WIRE	1	\$ 0.03	MA023	BWZY0716001 WIRE ASSEMBLED	1	\$ 0.65
JP079		1	\$ 0.03	MA024	BWZY0725001 WIRES-ASSEMBLED	1	\$ 8.91
JP401	BYYY0052002 JUMPER WIRE	1	\$ 0.03	MA024	BWZY0726001 WIRES-ASSEMBLED	1	\$ 8.91
JP601		1	\$ 0.03	CZDZ071422Z	WIRE ASSEMBLY	1	\$ 0.65
JP602		1	\$ 0.03	Y1101	BYDY0010003 INSULATION SHEET	1	\$ 0.28
JP603	BYYY0052001 JUMPER WIRE	1	\$ 0.03	Y1102	BYDY0010003 INSULATION SHEET	1	\$ 0.28
		1	\$ 0.03	Y1103	BYYY0172001 BUSHING:TIGHT CERAMIC	1	\$ 0.28

(SYMBOL)(PARTS CODE)	(DESCRIPTION)	(QTY)	(LIST PRICE)
YM501	BYYY0047001 WIRE CLAMPER	1	\$ 0.09
YM502		1	\$ 0.09
YM503		1	\$ 0.09
YM504		1	\$ 0.09
YM505		1	\$ 0.09
YM506		1	\$ 0.09
YM507		1	\$ 0.09
YM508		1	\$ 0.09
YM509		1	\$ 0.09
YM510		1	\$ 0.09
FCSR221155Z	CHASSIS:REAR		
GCM2420938Z	PLATE:DISPLAY		
GHDZ320936Z	HOLDER:LCD		
GMSC480407Z	SCREW: MOUNTING		
GNBP420940Z	BUTTON: CHANNEL		
GNBP421146Z	KNOB: PUSH		
GNBP421147Z	KNOB: PUSH		
HBCT380105A	MOUNTING BRACKET		
HCMB221190A	CASE: BOTTOM		
HCMT221191Z	CASE: TOP		
HCS321192B	CHASSIS: SIDE		
HMSK418834B	HEAT SINK		
HHG402919Z	HANGER: MICROPHONE		
HSDP418267Z	SHIELD PLATE		
HSDP421141Z	FRAME: LCD		
HSDP421142Z	SHIELD PLATE		
HSDP421143Z	PLATE: ESD (R)		
HSDP421144Z	PLATE: ESD (L)		
HMSR480823Z	WASHER: ANT		
PLBC482147Z	LABEL: WARNING, DC CORD		
RETC421189Z	PLATE: LCD		
RUTC403865Z	WOOL-COATED PAPER: WOOL TACK		
RZEB418268Z	INSULATION PLATE		
TSTD0150007	TERMINAL: LUG SOLDER		
TSTD0200003	SPRING PLATE: KNOB		
VNYL1114000	VINYL BAG		
VNYL1122800	VINYL BAG		
VNYL2465270	VINYL BAG		
VNYL3101200	VINYL BAG		
VNYL3324500	VINYL BAG		
WSFC121185Z	STYROFOAM PAD (R)		
WSFC221184A	STYROFOAM PAD (F)		
WSL V421401Z	SPACER		
	SMR-2510 SERVICE MANUAL		
	ADC-12-PAINT BLACK		
	PMMA,SILK		
	ABS, WHITE		
	ABS, BLACK		
	ABS, SATIN CR		
	ABS, DARK GRAY		
	ABS, NEUTRAL GRAY		
	SPCC 1.6T PAINT DARK GRAY		
	VINYTOP, SB-K08, 1.0T, BLACK		
	VINYTOP, SB-K08, 1.0T, BLACK		
	SECC, 1.0T, NON OIL		
	C5191R, 0.5T		
	SPCC, 1.0T, NI		
	SPTC 0.3T, NON OIL		
	SPTC 0.3T, NON OIL		
	SPTC 0.3T, NON OIL		
	SPTC 0.3T, NON OIL		
	SPCC 0.5T NI		
	PAPER, PRINT		
	YUPO PAPER, 0.15T		
	WOOL PAPER, 10*150*0.3T		
	PVC 0.25T		
	D3-2X14		
	D6-02ZL9.53		
	110X400X0.05T		
	120X280X0.05T		
	460X520X700X0.07T		
	100X120X0.1T		
	320X450X0.1T		
	**		
	**		
	**		