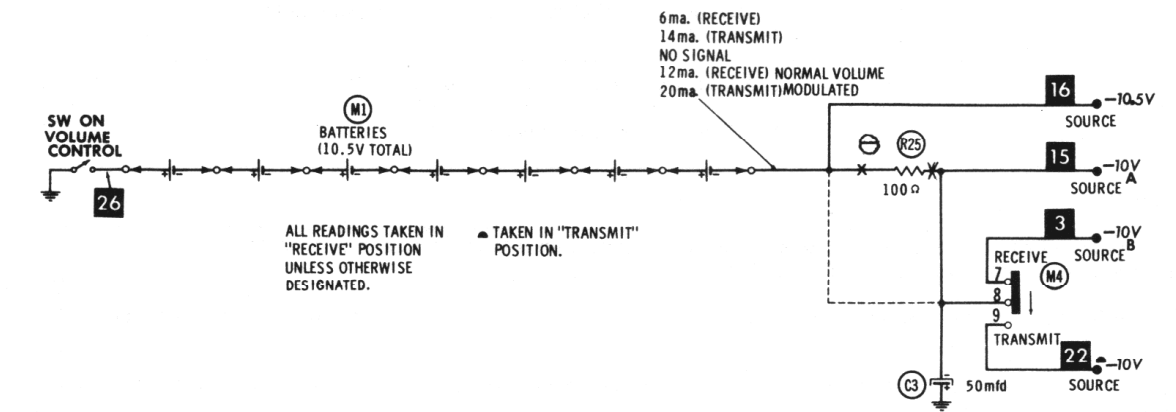
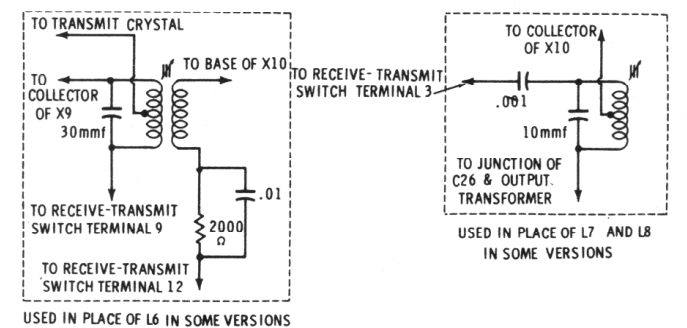


- SEE PARTS LIST FOR ALTERNATE VALUE OR APPLICATION
- RESISTANCE MEASUREMENTS NOT GIVEN BECAUSE OF THE WIDE VARIATION IN INTERNAL TRANSISTOR RESISTANCE.
- DC voltage measurements taken with vacuum tube voltmeter.
 - Socket connections or transistor terminals are shown as bottom views.
 - Measured values are from socket pin or terminal to common ground.
 - Nominal tolerance on component values makes possible a variation of +15% in voltage and resistance readings.
 - Volume control at maximum, no signal applied for voltage measurements.



TRIUMPH
MODELS TC-900, TC-900A