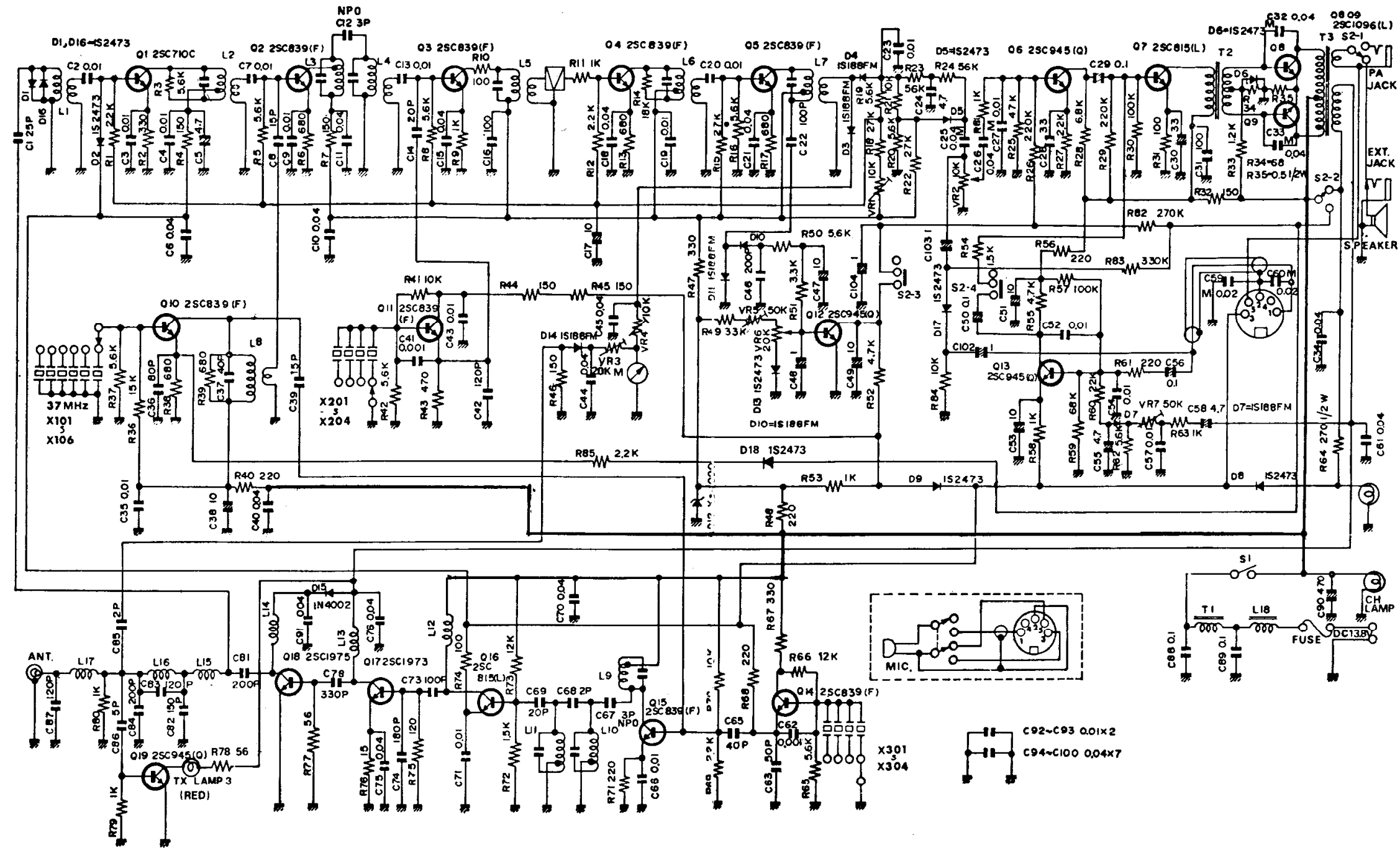


TOKAI - PW-5025

Scan by Luciano Sturaro - PY2BBS - sturaro@mailbr.com.br



TRANSISTOR COMPLEMENT

Q1	2SC710	R. F. AMPLIFIER
Q2	2SC839	1ST RECEIVER MIXER
Q3	2SC839	2ND RECEIVER MIXER
Q4	2SC839	455KHz I. F. AMPLIFIER
Q5	2SC839	455KHz I. F. AMPLIFIER
Q6	2SC945	A. F. AMPLIFIER
Q7	2SC815	A. F. DRIVER
Q8	2SC1096	A. F. POWER AMPLIFIER
Q9	2SC1096	A. F. POWER AMPLIFIER
Q10	2SC839	37MHz OSCILLATOR
Q11	2SC839	RECEIVER 10MHz OSCILLATOR
Q12	2SC945	SQUELCH SWITCHING

Q13	2SC945	MICROPHONE AMPLIFIER
Q14	2SC839	TRANSMITTER 10MHz OSCILLATOR
Q15	2SC839	TRANSMITTER MIXER
Q16	2SC815	TRANSMITTER BUFFER
Q17	2SC1973	TRANSMITTER DRIVER
Q18	2SC1975	TRANSMITTER POWER AMPLIFIER
Q19	2SC945	MODULATION INDICATOR LAMP DRIVER

DIODE COMPLEMENT

D1	IS2473	RECEIVER R. F. AMPLIFIER PROTECTOR
D2	IS2473	RECEIVER R. F. AMPLIFIER PROTECTOR
D3	IS188	METER DETECTOR
D4	IS188	DETECTOR

D5	IS2473	NOISE LIMITER GATE
D6	IS2473	A. F. POWER AMPLIFIER STABILIZER
D7	IS188	A. F. DETECTOR FOR MODULATION LIMITER
D8	IS2473	T-R SWITCHING
D9	IS2473	T-R SWITCHING
D10	IS188	SQUELCH DETECTOR
D11	IS188	SQUELCH DETECTOR
D12	WZ-090	VOLTAGE STABILIZER
D13	IS2473	SQUELCH SWITCHING STABILIZER
D14	IS188	METER DETECTOR
D15	IN-4002	CURRENT PROTECTOR
D16	IS2473	RECEIVER R.F. AMPLIFIER PROTECTOR
D17	IS2473	SWITCHING PROTECTOR
D18	IS2473	AMPLIFIER PROTECTOR