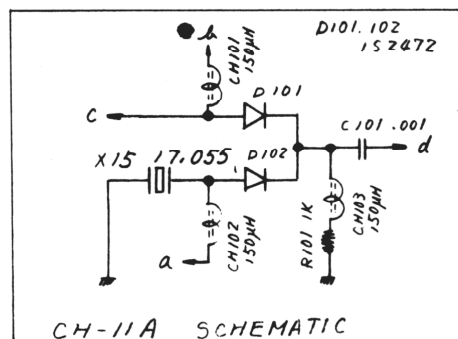
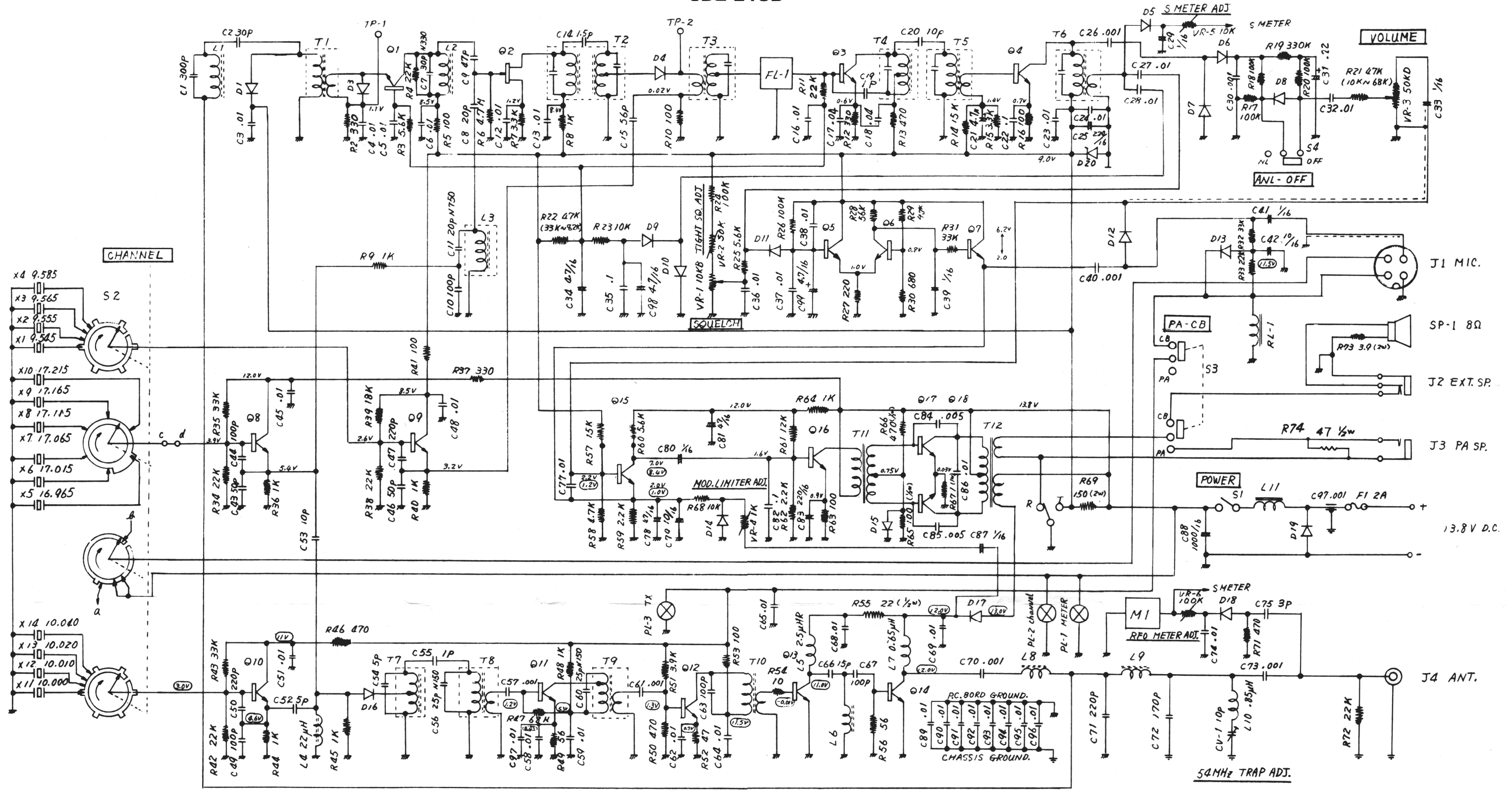


SBE-21CB



SEMICONDUCTORS

Q1	ZSC710B	Q9	ZSC710C	Q17	ZSC101A	D1	WG713	D9	1N34A	D17	1N4002
Q2	ZSK19Y	Q10	ZSC710C	Q18	ZSC101A	D2	1S1007	D10	WG1012	D18	1N34A
Q3	ZSC710C	Q11	ZSC710C			D3	1S1007	D11	1N34A	D19	1N4002
Q4	ZSC710C	Q12	ZSC710C			D4	1S2472	D12	1N34A	D20	BZ090
Q5	ZSC403C	Q13	ZSC1425			D5	1N34A	D13	WG713		
Q6	ZSC403C	Q14	ZSC756			D6	1N34A	D14	1N34A		
Q7	ZSC403C	Q15	ZSD187			D7	1N34A	D15	1S1211		
Q8	ZSC710C	Q16	ZSC403C			D8	1S84	D16	1S2472		

- 1 Voltage values shown are measured with voltmeter (20KΩ/V) through 150μH coil.
- 2 Voltage values with □ are values during transmitting, without □ are values during receive.
- 3 All Resistors and Capacitors are rated in Ω and μF. unless otherwise specified.