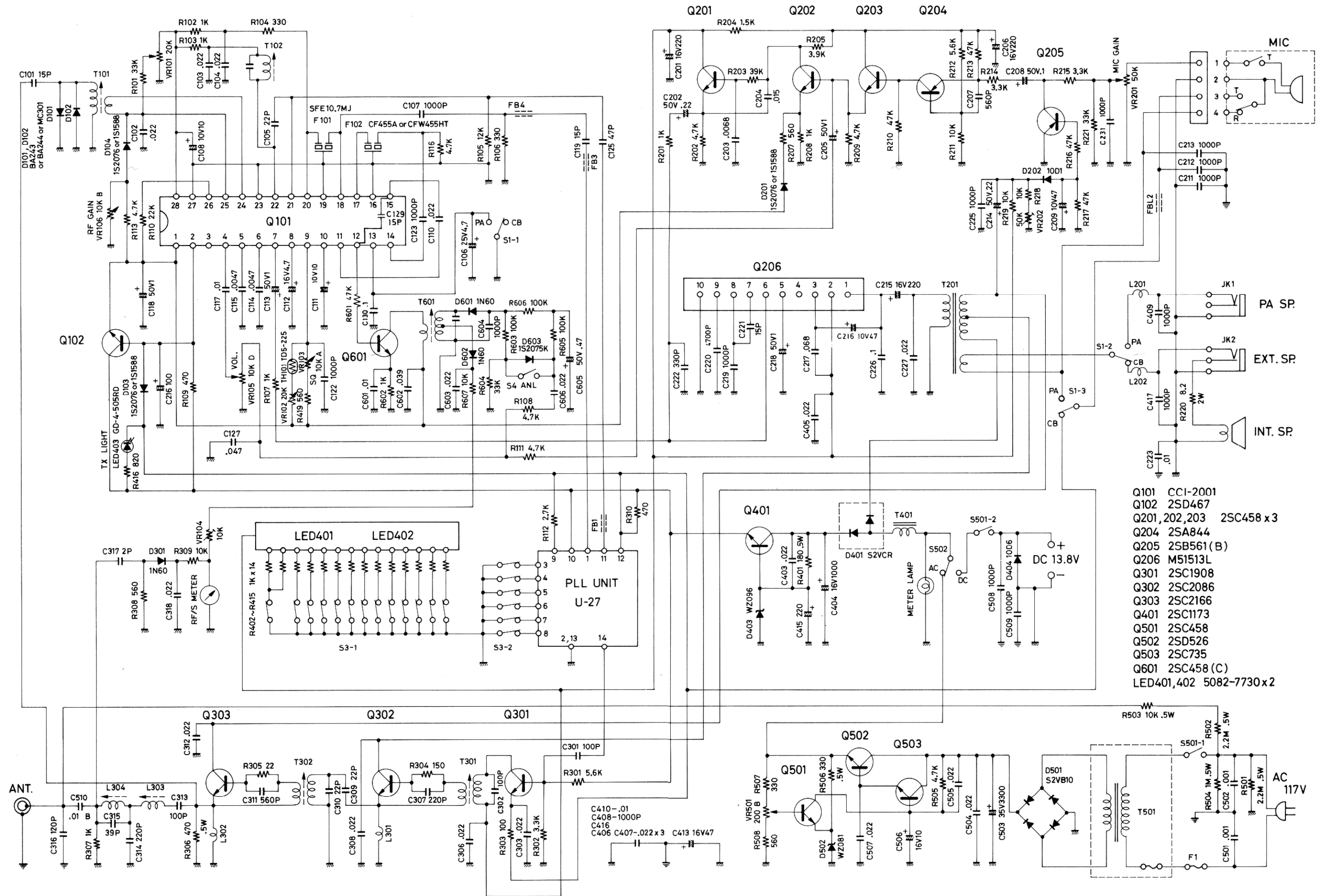


# SCHEMATIC DIAGRAM



- Q101 CCI-2001
- Q102 2SD467
- Q201,202,203 2SC458 x3
- Q204 2SA844
- Q205 2SB561(B)
- Q206 M51513L
- Q301 2SC1908
- Q302 2SC2086
- Q303 2SC2166
- Q401 2SC1173
- Q501 2SC458
- Q502 2SD526
- Q503 2SC735
- Q601 2SC458(C)
- LED401,402 5082-7730x2