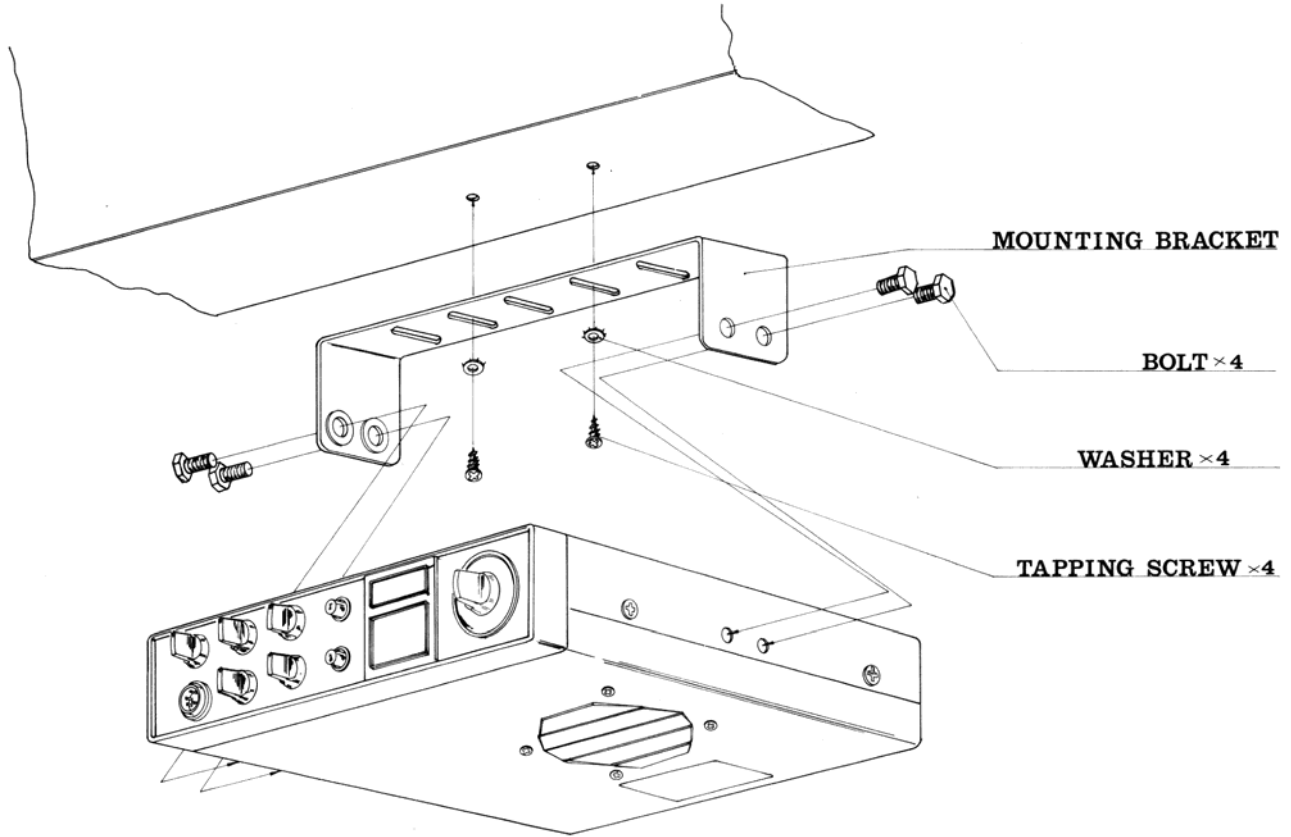


MOUNTING INSTRUCTIONS



GENERAL-OPERATING PROCEDURE

CAUTION: Before operating this transceiver, you are required by law to read and understand Part 95 of the FCC Rules and Regulations.

Check to see if the proper connections have been made on the power cable, antenna system and microphone.

1. RECEIVER

- (a) Turn all controls counter clockwise.
- (b) Turn the on/off switch (on the volume control) to the "ON" position. The channel dial and meter will light.
- (c) Select the desired operating channel.
- (d) Turn Noise Blanker Switch to the "ON" position.
- (e) Set PA-CB switch to "CB" position.
- (f) Advance the volume control to normal listening levels. Note: Follow instructions from "Feature and Control" sections regarding VOL-U-MATIC system.
- (g) Set mode selector to either AM, lower sideband (LSB) or upper sideband (USB).
- (h) Adjust squelch control.
- (i) When a signal is heard adjust tone control to desired level and adjust the CLARIFIER-DELTA Tune for maximum clarity.

2. TRANSMITTER

IT IS ILLEGAL TO OPERATE THE TRANSMITTER SECTION OF THIS TRANSCEIVER PRIOR TO RECEIVING A VALID STATION LICENSE AND CALL SIGN.

TO TRANSMIT:

CAUTION: Never operate this unit without an adequate antenna system as damage could result.

1. Select the desired channel.
2. Set Mode Selector for desired transmission.
3. Set Clarifier Control to the center position (For SSB Only).
4. Depress the push-to-talk switch and talk in a normal level voice.

SERVICING YOUR TRANSCEIVER

The technical information, diagrams and charts provided in this manual are supplied for the use of a qualified holder of a first or second class radiotelephone license in servicing this transceiver. It is the users responsibility to see that this unit is operating at all times in accordance with the F.C.C. citizens radio service regulations.

If you install your own transceiver, do not attempt to make any transmitter tuning adjustment. Adjustments are prohibited by the F.C.C. unless you hold or are in the presence and under the supervision of a first or second class radiotelephone licensed person. A Citizens Band or Amateur license is not sufficient.

CRYSTAL FREQUENCY CHART

C·H	Frequency (MHz)				
	14MHz		23MHz	Synthesizer Output	
	USB (AM)	LSB		USB (AM)	LSB
1	14.910	14.907	23.330	38.240	38.237
2	14.920	14.917	"	38.250	38.247
3	14.930	14.927	"	38.260	38.257
4	14.950	14.947	"	38.280	38.277
5	14.910	14.907	23.380	38.290	38.287
6			"	38.300	38.297
7			"	38.310	38.307
8			"	38.330	38.327
9			23.430	38.340	38.337
10			"	38.350	38.347
11			"	38.360	38.357
12			"	38.380	38.377
13			23.480	38.390	38.387
14			"	38.400	38.397
15			"	38.410	38.407
16			"	38.430	38.427
17			23.530	38.440	38.437
18			"	38.450	38.447
19	↓	↓	"	38.460	38.457
20	14.950	14.947	"	38.480	38.477
21	14.910	14.907	23.580	38.490	38.487
22	14.920	14.917	"	38.500	38.497
23	14.950	14.947	"	38.530	38.527

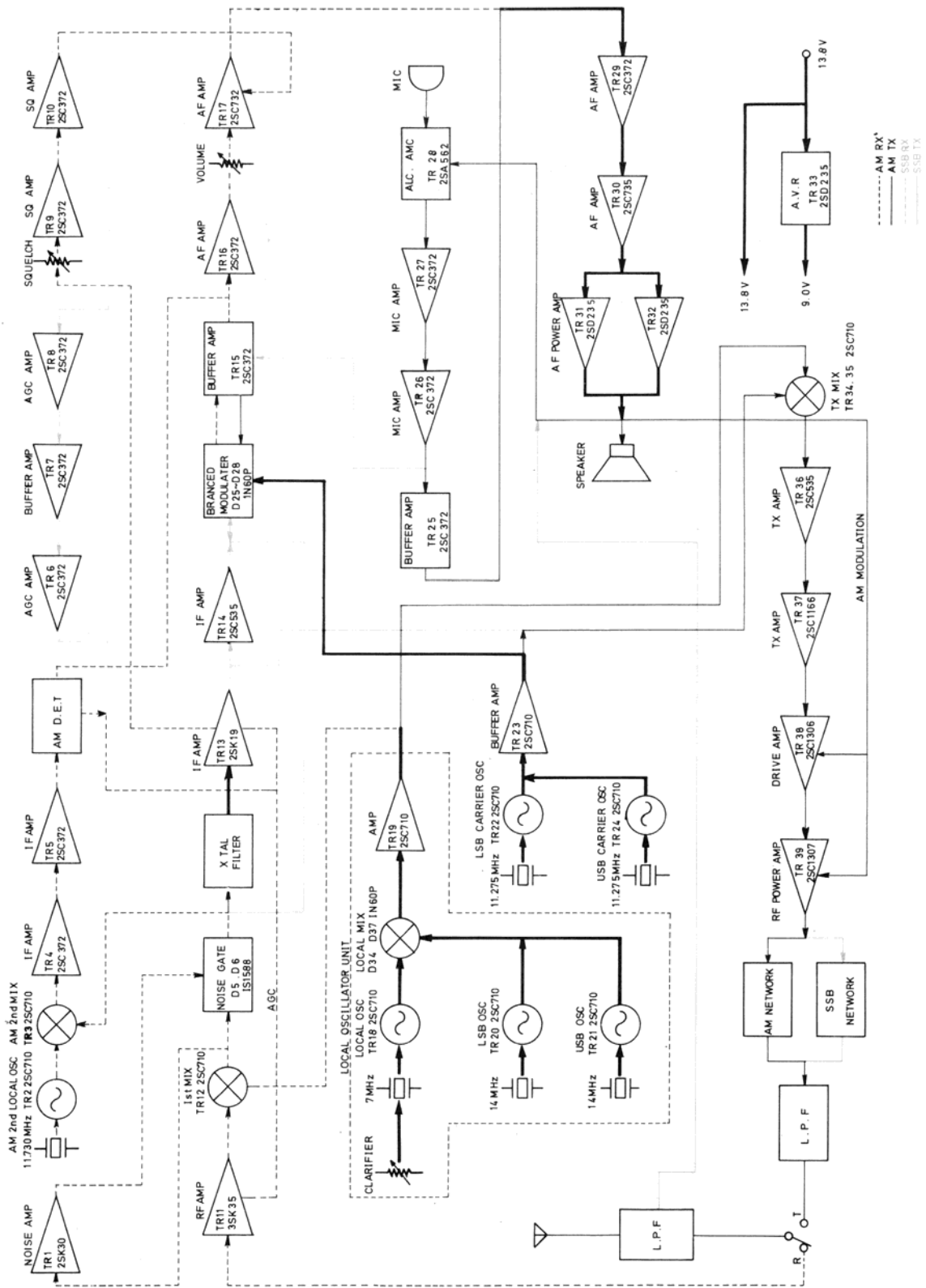
USB Carrier Frequency 11.275MHz

LSB Carrier Frequency 11.272MHz

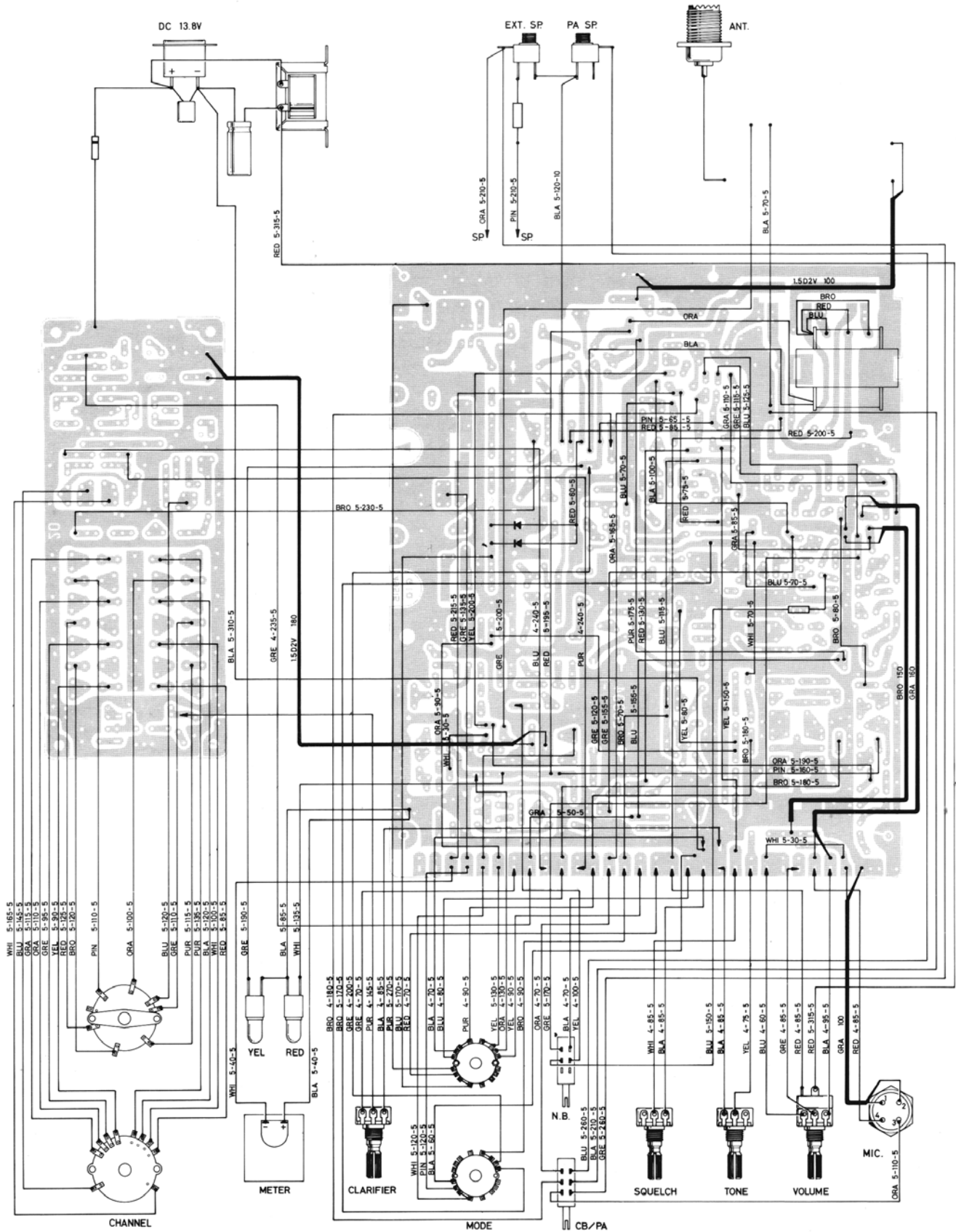
AM 2nd Local Frequency 11.730MHz

WARNING : ANY CHANGE OF CRYSTALS OR OTHER COMPONENTS WHICH WOULD RESULT IN VIOLATIONS OF THE FCC TECHNICAL REQUIREMENTS MUST NOT BE MADE.
 THESE UNAUTHORIZED CHANGES WILL VOID TYPE ACCEPTANCE OF THIS UNIT.

BLOCK DIAGRAMS



WIRING DIAGRAM



FEDERAL COMMUNICATIONS COMMISSIONS REQUIREMENTS

Your new Royce 1-630 is a combination receiver-transmitter designed and built for licensed Class D operation on any of the 23 frequencies designated as citizens band channels by the Federal Communications Commission. You are required to read and understand Part 95 of the F.C.C. rules and regulations prior to operation of this unit. Part 95 regulations are available for \$2.00 from the Superintendent of Documents, Government Printing Office, Washington, D.C. 20402. You are also required to complete F.C.C. form 505 and submit it to the F.C.C. in order to receive your license to operate this unit. F.C.C. regulations will be violated if you transmit with this unit prior to receipt of your license.

NOTE: The technical information, diagrams, and charts provided in this manual are supplied for the use of a qualified holder of a first or second class radiotelephone license in servicing this transceiver. It is the users responsibility to see that this unit is operating at all times in accordance with the F.C.C. Citizens Radio Service regulations.

If you install or service your own transceiver, do not attempt to make any transmitter tuning adjustment. Transmitter adjustments are prohibited by the F.C.C. unless you hold a first or second class radiotelephone license or are in the presence of a person holding such a license. A Citizens Band or Amateur license is not sufficient.

ROYCE ELECTRONICS CORPORATION HEREBY CERTIFIES THAT THIS EQUIPMENT HAS BEEN DESIGNED, MANUFACTURED AND FURNISHED IN ACCORDANCE WITH VOL, 6 PART 95 OF THE CURRENT FCC RULES AND REGULATIONS FOR CLASS D CITIZENS BAND OPERATION.

WARRANTY POLICY

Royce products are built to rigid specifications and are quality audited at several stages in their manufacturing. We warrant each new Royce product to be free from defects in material and craftsmanship for a period of 90 days under normal use. We will repair free of charge or replace at no charge any unit which our examination shall disclose to be defective and under warranty. This warranty shall be valid only where a purchaser has filled in and has on file at the factory a warranty registration card (supplied with all units). If no warranty card is on file, a sales receipt showing the date of purchase must accompany the article being returned.

This warranty is invalid to any Royce product which has been subject to misuse, neglect, accident, modifications in wiring not of our own installation, or to the use in violation of instructions furnished by us. It is also not applicable to units which have been modified or repaired outside our factory.

This warranty does not cover earphones, carrying cases, antennas, batteries, broken or cracked cabinets, or any accessory used in connection with the product.

Should in warranty repair be required, carefully pack the unit and ship it, insured prepaid, to the address listed below. Enclose \$2.00 to cover return postage and handling.

This warranty is in lieu of all other warranties expressed or implied, and no representative or person is authorized to assume for us any other liability in connection with the sale of our products.

Royce  electronics corporation

1142 Clay Street North Kansas City, Missouri 64116

Royce Electronics Corporation Copyright 1974
North Kansas City, Missouri 64116 U.S.A.
Made Exclusively for Royce Electronics Corp. in Japan.