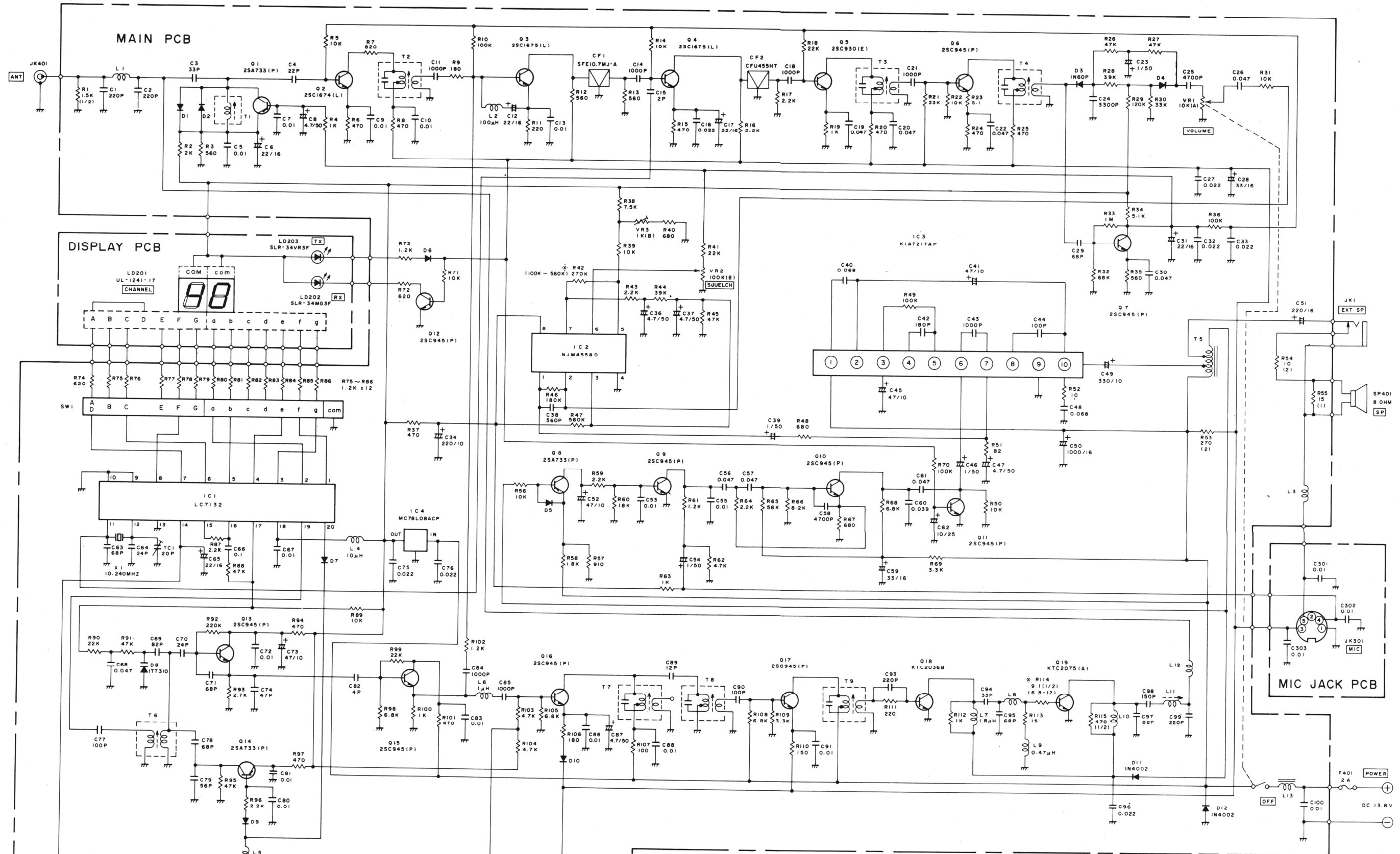


SCHEMATIC DIAGRAM



NOTES: (1) ALL RESISTANCE VALUES ARE INDICATED IN "OHM"
(K = 10^3 OHM, M = 10^6 OHM).
(2) ALL CAPACITANCE VALUES ARE INDICATED IN "μF"
(P = 10^{-6} μF).
(3) DIODES WITH NO NAME ARE IN4148.
(4) * MAY VARY FROM UNIT TO UNIT FOR BEST PERFORMANCE.

