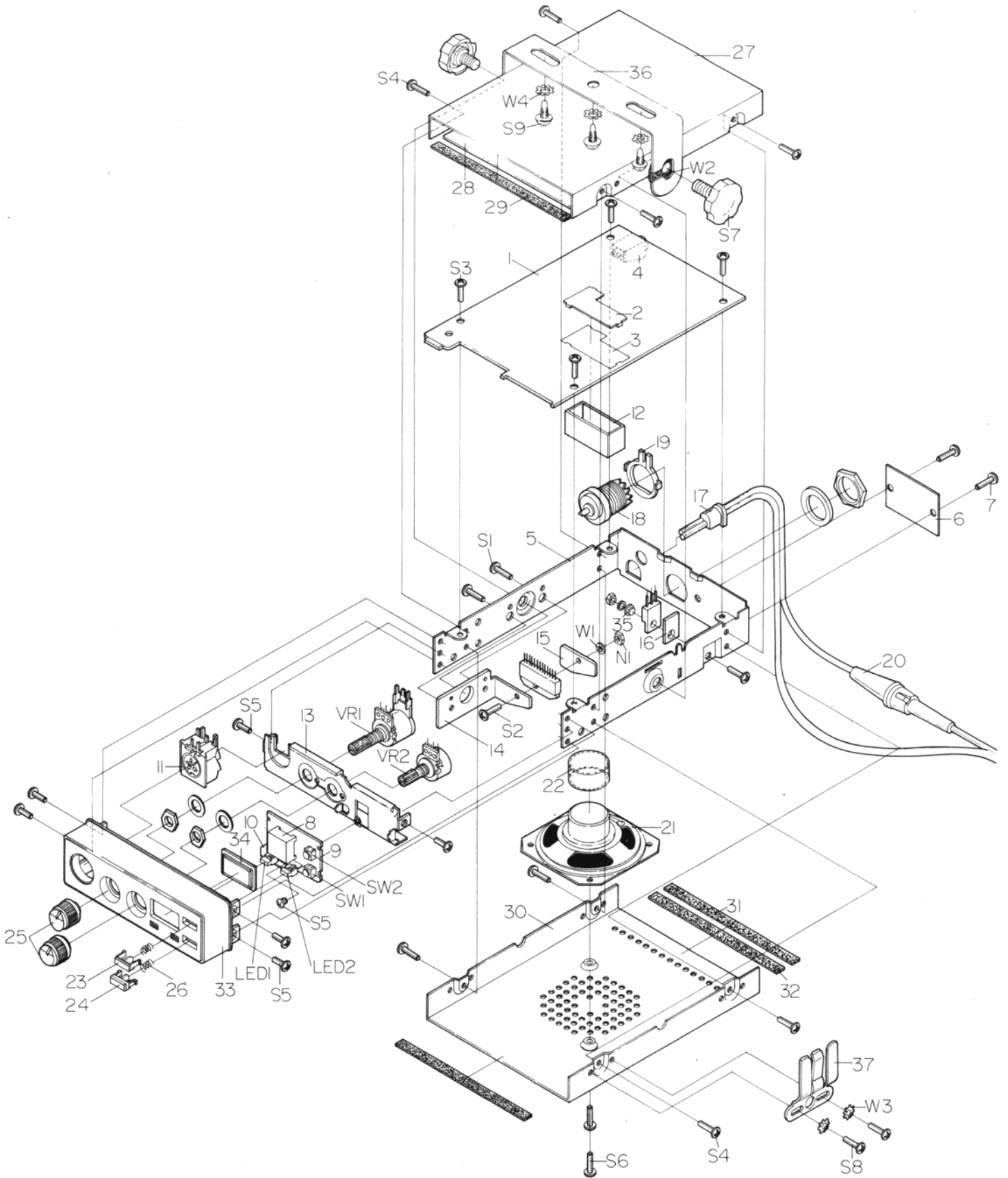


# EXPLODED VIEW/DISASSEMBLY



## ELECTRICAL PARTS LIST

Ref. No.	Description	RS Part No.	MFR. Part No.
<b>Ass'y Main PCB</b>			512-50M-P
C101	Ceramic 22pF 50V +80% -20%		130-201-5
C103	Ceramic 0.022 $\mu$ F 50V +80% -20%		130-207-1
C104	Ceramic 47pF 50V +80% -20%		134-701-0
C105	Ceramic 0.047 $\mu$ F 50V +80% -20%		130-405-3
C106	Ceramic 0.022 $\mu$ F 50V +80% -20%		130-207-1
C107	Elect 10 $\mu$ F 16V $\pm$ 20%		101-012-7
C108	Ceramic 0.022 $\mu$ F 50V +80% -20%		130-207-1
C109	Ceramic 0.047 $\mu$ F 50V +80% -20%		130-405-3
C110	Elect 22 $\mu$ F 16V $\pm$ 20%		102-250-0
C111	Ceramic 0.022 $\mu$ F 50V +80% -20%		130-207-1
C112	Elect 10 $\mu$ F 16V $\pm$ 20%		101-012-7
C113	Ceramic 0.022 $\mu$ F 50V +80% -20%		130-207-1
C114	Ceramic 1000P 50V +80% -20%		131-004-9
C115	Ceramic 0.022 $\mu$ F 50V +80% -20%		130-207-1
C116	Ceramic 0.047 $\mu$ F 50V +80% -20%		130-405-3
C117	Ceramic 0.001 $\mu$ F 50V +80% -20%		130-101-8
C118	*Mylar 0.047 $\mu$ F 50V $\pm$ 5%		194-702-9
C119	Ceramic 0.047 $\mu$ F 50V +80% -20%		130-405-3
C120	Mylar 0.0068 $\mu$ F 50V +80% -20%		196-802-6
C121	Elect 1 $\mu$ F 50V $\pm$ 5%		101-006-2
C122	Mylar 0.01 $\mu$ F 50V $\pm$ 5%		191-001-4
C123	Ceramic 5P 50V +80% -20%		135-005-0
C202	Elect 0.1 $\mu$ F 50V $\pm$ 20%		100-001-9
C203	Elect 1 $\mu$ F 50V $\pm$ 20%		101-006-2
C204	Elect 10 $\mu$ F 16V $\pm$ 20%		101-012-7
C205	Mylar 0.0082 $\mu$ F 50V $\pm$ 5%		198-201-3
C206	Mylar 0.0068 $\mu$ F 50V $\pm$ 5%		196-802-6
C207-208	Mylar 0.033 $\mu$ F 50V $\pm$ 5%		193-302-6
C209	Mylar 0.0047 $\mu$ F 50V $\pm$ 5%		194-701-8
C210	Tantalum 3.3 $\mu$ F 16V $\pm$ 20%		143-301-0
C211	Elect 0.1 $\mu$ F 50V $\pm$ 20%		100-001-9
C212	Ceramic 220pF 50V +80% -20%		132-204-8
C213	Elect 33 $\mu$ F 16V $\pm$ 20%		103-313-9
C214-215	Mylar 0.068 $\mu$ F 50V $\pm$ 5%		196-803-7
C216	Ceramic 220pF 50V +80% -20%		132-204-8
C217	Elect 47 $\mu$ F 16V $\pm$ 20%		104-712-1
C218	Elect 220 $\mu$ F 16V $\pm$ 20%		102-223-6
C219	Elect 1000 $\mu$ F 16V $\pm$ 20%		101-048-0
C220	Elect 22 $\mu$ F 16V $\pm$ 20%		102-250-0
C221	Elect 100 $\mu$ F 16V $\pm$ 20%		101-022-6

**Note:** 1. \*Mylar is a registered trademark of E.I. Du Pont de Nemours and Company  
2. Ref. Nos not used: C102/C124-C199

Ref. No.	Description	RS Part No.	MFR. Part No.
C222	Elect 33 $\mu$ F 16V $\pm$ 20%		103-313-9
C223	Ceramic 0.01 $\mu$ F 50V + 80% - 20%		130-102-9
C224-225	Ceramic 0.001 $\mu$ F 50V + 80% - 20%		130-101-8
C226	Elect 47 $\mu$ F 16V $\pm$ 20%		104-712-1
C227	Elect 10 $\mu$ F 16V $\pm$ 20%		101-012-7
C228	Elect 47 $\mu$ F 16V $\pm$ 20%		104-712-1
C300	Ceramic 68P 50V $\pm$ 20%		136-801-7
C301	Ceramic 18P 50V + 80% - 20%		131-801-2
C302	Ceramic 22P 50V + 80% - 20%		132-201-5
C303	Mica 47P 50V $\pm$ 50%		164-701-9
C304	Ceramic 33P 50V + 80% - 20%		133-301-7
C305	Ceramic 27P (NPO) 50V $\pm$ 10%		132-705-4
C306	Ceramic 220P 50V + 80% - 20%		132-204-8
C307	Ceramic 120P 50V + 80% - 20%		131-202-1
C308	Ceramic 0.01 $\mu$ F 50V + 80% - 20%		130-102-9
C309	Ceramic 39P 50V + 80% - 20%		133-904-2
C310	Ceramic 4P 50V + 80% - 20%		134-003-3
C311	Ceramic 0.022 $\mu$ F 50V + 80% - 20%		130-207-1
C312-313	Ceramic 0.01 $\mu$ F 50V + 80% - 20%		130-102-9
C314	Ceramic 100P (NPO) 50V $\pm$ 10%		131-020-3
C315	Elect 2.2 $\mu$ F 16V $\pm$ 20%		102-204-9
C316	Ceramic 0.047 $\mu$ F 50V + 80% - 20%		130-405-3
C317	Ceramic 100P (NPO) 50V $\pm$ 10%		131-020-3
C319	Ceramic 0.022 $\mu$ F 50V + 80% - 20%		130-207-1
C320	Ceramic 82P (NPO) 50V $\pm$ 10%		138-204-8
C321	Ceramic 220P 50V + 80% - 20%		132-204-8
C322	Ceramic 330P 50V + 80% - 20%		133-302-8
C323	Ceramic 60P (NPO) 50V $\pm$ 10%		136-002-2
C324	Ceramic 47pF 50V + 80% - 20%		134-701-0
C325	Ceramic 100P (NPO) 50V $\pm$ 10%		131-020-3
C326	Ceramic 390P 50V + 80% - 20%		133-904-2
C327	Ceramic 470P 50V + 80% - 20%		134-702-1
C328	Ceramic 150P (NPO) 50V + 80% - 20%		131-510-9
C500	Elect 1 $\mu$ F 50V $\pm$ 20%		101-006-2
C501	Elect 470 $\mu$ F 16V $\pm$ 20%		104-723-1
C502-506	Ceramic 0.01 $\mu$ F 50V + 80% - 20%		130-102-9
C507	Elect 0.47 $\mu$ F 50V $\pm$ 20%		100-405-4
C508	Mylar 0.047 $\mu$ F 50V $\pm$ 5%		194-702-9
C509	Ceramic 4P 50V + 80% - 20%		134-003-3
C510	Ceramic 10P 50V + 80% - 20%		131-002-7
C511	Mica 39P 50V $\pm$ 5%		163-901-8
C512	Trimer 20P		172-002-4

Ref. Nos not used: C229-C299/C329-C499

Ref. No.	Description	RS Part No.	MFR. Part No.
C513	Mica 39P 50V $\pm$ 5%		163-901-8
C514	Elect 220 $\mu$ F 16V $\pm$ 20%		102-223-6
C515	Elect 47 $\mu$ F 16V $\pm$ 20%		104-712-1
C516-517	Ceramic 0.01 $\mu$ F 50V +80% -20%		130-102-9
C518	Ceramic 0.001 $\mu$ F 50V +80% -20%		130-101-8
C519	Elect 10 $\mu$ F 16V $\pm$ 20%		101-012-7
C521-524	Ceramic 0.01 $\mu$ F 50V +80% -20%		130-103-0
C526	Ceramic 0.01 $\mu$ F 50V +80% -20%		130-103-0
C527	Ceramic 6P 50V +80% -20%		136-001-1
C528	Ceramic 0.01 $\mu$ F 50V +80% -20%		130-102-9
C529	Ceramic 0.001 $\mu$ F 50V +80% -20%		130-101-8
<b>Coils</b>			
L 1	27MHz RX ANT		320-314-3
L 2	27MHz RF AMP (RX)		320-315-4
L 3	10.6MHz RF 1st Mixer		320-316-5
L 4	IFT 455MHz-A		320-154-5
L 5	IFT 455MHz-B		320-155-6
L 6	VCO		320-317-6
L 7-8	27MHz RF PRE AMP A		320-318-7
L 9	27MHz RF PRE AMP B		320-319-8
L10	0.25 $\mu$ H		310-047-9
L11	0.65 $\mu$ H		310-068-8
L12	27MHz TX ANT Tuning		320-034-0
L13	0.32 $\mu$ H		310-054-5
RFC1	100 $\mu$ H		310-096-3
RFC2-3	6.8 $\mu$ H		310-121-2
RFC4	0.8 $\mu$ H		310-072-1
RFC5	2.2 $\mu$ H		310-039-2
RFC6	0.5 $\mu$ H		310-065-5
RFC7	20 $\mu$ H		310-034-7
RFC8	6.8 $\mu$ H		310-121-2
RFC9	4 $\mu$ H		310-100-3
RFC10	22 $\mu$ H		310-114-6
X1	Crystal, 10.240MHz HC-18/U		260-003-3
<b>Diodes</b>			
D 1-10	IS2473		243-004-3
D11-12	OA90		244-003-7
D13-14	IN4002		245-004-3
D15	8.2B 1W		241-050-4
D16	9.1B		241-020-7

Ref. No.	Description	RS Part No.	MFR. Part No.
D18	Varocap MV2209		242-006-0
D19	IS2473		243-004-3
D20	OA90		244-003-7
<b>Filters</b>			
CF1	Ceramic 10.7MJ		270-010-2
CF2	Ceramic CFU 455HT -or- Ceramic CFU 455P		270-006-9 270-064-1
<b>IC's</b>			
IC1	LC 7185, P.L.L		224-063-5
IC2	KIA 7217AP, Audio		222-006-4
<b>Resistors Carbonfilms</b>		<b>Note:</b> Unless otherwise specified, all the resistors are carbonfilm, 1/16W, $\pm 5\%$ .	
R101	330 ohm "S"		002-331-9
R102	33k ohm "S"		002-333-1
R103	680 ohm "S"		002-681-5
R104	18 ohm "S"		002-180-9
R105	100 ohm "S"		002-101-8
R106	2.7k ohm "S"		002-272-9
R107	220 ohm "S"		002-221-3
R108	470 ohm "S"		002-471-2
R109	560 ohm "S"		002-561-0
R110	3.9k ohm "S"		002-392-4
R111	100 ohm "S"		002-101-8
R112	1.8k ohm "S"		002-182-1
R113	10k ohm "S"		002-103-0
R114	150k ohm "S"		002-154-6
R115	470 ohm "S"		002-471-2
R116	1k ohm "S"		002-102-9
R117	12k ohm "S"		002-123-8
R118	3.3k ohm "S"		002-332-0
R119	220 ohm "S"		002-221-3
R120	47 ohm "S"		002-470-1
R121	22k ohm "S"		002-223-5
R122	47k ohm "S"		002-473-4
R123	330k ohm "S"		002-334-2
R124	82k ohm "S"		002-823-7
R125	33k ohm "S"		002-333-1
R126	47k ohm "S"		002-473-4
R127	15k ohm "S"		002-153-5

Ref. No.	Description	RS Part No.	MFR. Part No.
R128	27k ohm "S"		002-273-0
R129	470 ohm "S"		002-471-2
R130	330 ohm "S"		002-331-9
R201-202	2.2k ohm "S"		202-222-4
R203	4.7k ohm "S"		002-472-3
R205	3.3k ohm "S"		002-332-0
R206	100k ohm "S"		002-104-1
R207	27k ohm "S"		002-273-0
R208	470k ohm "S"		002-474-5
R209	22k ohm "S"		002-223-5
R210	3.3k ohm "S"		002-332-0
R211-212	2.2k ohm "S"		002-222-4
R213	56 ohm "S"		002-560-9
R214	33k ohm "S"		002-333-1
R215	470 ohm "S"		002-471-2
R216	10k ohm "S"		002-103-0
R217	1k ohm "S"		002-102-9
R218	10k ohm "S"		002-103-0
R219	47 ohm "S"		002-470-1
R220	1 ohm "S"		002-109-6
R221	4.7k ohm "S"		002-473-2
R222	8.2k ohm "S"		002-472-3
R223	5.6k ohm "S"		002-562-1
R224	1.8k ohm "S"		002-182-1
R225	15 ohm 2W $\pm$ 5% Metal Oxide		019-150-0
R226	10 ohm "S"		002-100-7
R227	2.7k ohm "S"		002-272-9
R228	100 ohm "S"		002-101-8
R229	100k ohm "S"		002-104-1
R230	3.9k ohm "S"		002-392-4
R231	1k ohm "S"		002-109-2
R232	39k ohm "S"		002-393-5
R301	820 ohm "S"		002-821-5
R302	120k ohm "S"		002-124-9
R303	2.7k ohm "S"		002-272-9
R304	220k ohm "S"		002-224-6
R305	150k ohm "S"		002-154-6
R306	390 ohm "S"		002-391-3
R307-309	4.7k ohm "S"		002-472-3
R310	68 ohm "S"		002-680-4
R311-312	100 ohm "S"		002-101-8
R313	220 ohm "S"		002-221-3
R314	2.2 ohm "S"		002-229-1

Ref. Nos not used: R204/R233-R300

Ref. No.	Description	RS Part No.	MFR. Part No.
R315	1/2W $\pm$ 5% Metal Oxide		030-472-2
R500	1k ohm "S"		002-102-9
R501	1/2W $\pm$ 5% Metal Oxide		030-101-7
R502-503	3.3k ohm "S"		002-332-0
R504	10k ohm "S"		002-103-0
R505	220 ohm "S"		002-221-3
R506	270k ohm "S"		002-274-1
R507	390k ohm "S"		002-394-6
R508-509	10k ohm "S"		002-103-0
R510	1k ohm "S"		002-102-9
R511	2.2k ohm "S"		002-222-4
R512	10k ohm "S"		002-103-0
R513	33k ohm "S"		002-333-1
R514	82k ohm "S"		002-823-7
R515	4.7k ohm "S"		012-472-3
R516	22k ohm "S"		001-223-5
R517-518	22 ohm "S"		001-220-3
R519	100 ohm "S"		001-101-8
R520-521	470 ohm "S"		001-471-2
R522	560 ohm "S"		002-561-0
R523	47 ohm "S"		002-470-1
R524	4.7k ohm "S"		002-472-3
R525-531	150 ohm "S"		002-151-3
RV1	Semifixed 10kB 8Dia $\pm$ 25%		061-103-1
RV2	Semifixed 5kB 8Dia $\pm$ 25%		061-502-1
<b>Transistors</b>			
Q101-103	MPS1923(O), NPN -or- MPS9426(C), NPN		203-017-8 203-005-2
Q104-105	KTC1923(Y), NPN -or- MPS9623(O), NPN		202-060-7 203-011-7
Q106	KTA1015(GR), PNP -or- MPS9681(T), PNP		202-036-5 203-009-6
Q201-203	KTC1815(GR), NPN -or- MPS9681(T), NPN		202-023-3 203-009-6
Q204-205	KTA1015(GR), PNP -or- MPS9681(T), PNP		202-036-5 203-009-6
Q206-207	KTC1815(GR), NPN -or- MPS9681(T), NPN		202-023-3 203-009-6
Q301-302	KTC1923(Y), NPN		202-060-7
Q303	MPS9426(C), NPN		203-005-2

Ref. Nos not used: R316-R499

Ref. No.	Description	RS Part No.	MFR. Part No.
Q304	KTC1923(O), NPN -or- MPS9426(C), NPN		202-017-8 203-005-2
Q305	2SC2314(F), NPN, TX PRE AMP		204-016-7
Q306	2SC2078(D), NPN, TX Power AMP		204-010-1
Q501-503	KTA1015(GR) PNP -or- MPS9681(T), NPN		202-036-5 203-009-6
Q504-505	MPS9634(C), NPN		203-002-9
Q506	KTC1959(O), NPN -or- MPS9418(T), NPN		202-056-4 202-010-6
Q508	KTC1815(GR), NPN		202-023-3
<b>Transformers</b>			
T1	Output Transformer (OPT)		300-115-4
CH1	Choke		300-045-4
1	P.C.B, Main		411-020-B
2	Shield Plate, VCO Bottom, SPTE		771-460
3	Insulation Plate VCO Bottom, Fiber		905-625
4	EXT Jack		420-707-6
<b>Ass'y Main Body</b>			592-140
5	Body Main		702-225
6	Plate Name for U.S.A Plate Name for Canada		794-875 794-876
	Plate name for AUST.		794-877
7	Rivet, Blind		670-025
<b>Ass'y PCB Sub</b>			593-032
LED1	LED Lamp Green 3V 20mA		251-029-9
LED2	LED Lamp Red 3V 20mA		251-016-7
8	LED Display LTD323L		252-050-2
SW1-2	Tack Switch SAT-1102-2		436-020-1
9	P.C.B, Sub		411-322-B
10	Strip-Felt, Light Cutter, 31 × 8.5 × 1T, BLK		906-136
<b>Miscellaneous</b>			
C328	Ceramic 150P (NPO) 50V ± 10%		131-510-9
VR1	Resistor Variable W/Nut, Washer 50KA, Volume		450-622-1
VR2	Resistor Variable W/Nut, Washer 10KB, Squelch		450-424-9
11	Socket 5Pin, DIN, Lock Type, BLK		421-513-2
12	Can Shield 90 × 25 × 0.3T, SPTE		770-336
13	Body Front		702-230



Ref. No.	Description	RS Part No.	MFR. Part No.
14	Heatsink (For IC KIA7217) Large		761-640
15	Heatsink (For IC KIA7217) Small		760-704
16	Mica (For TR 2SC 2078)		440-004-0
17	Stopper Cord		750-039
18	Receptacle ANT, W/Nut, Washer		421-046-7
19	Holder ANT, SPTE, 29×35×0.3T Ni-Plate		731-791
20	Ass'y Cord Power W/Fuse 250V 2A		504-055
21	Speaker C065A20-G0062 65M 8 ohm		420-121-6
22	Cap, Speaker PE, Clear		830-043
23	Knob, Channel Up		825-011
24	Knob, Channel Down		825-006
25	Knob, Control		825-116
26	Spring For CH Knob		881-425
<b>Ass'y Upper Cover</b>			592-138
27	Upper Cover, Black		717-885
28	Fiber, Insulation Plate 135×100×0.3T		906-025
29	Strip Felt 104×6×0.5T, Black		906-020
<b>Ass'y Bottom Cover</b>			592-139
30	Bottom Cover, Black		717-890
31	Strip Felt 104×6×0.5T, Black		906-020
32	Strip Felt 100×10×0.3T, Black		906-105
<b>Ass'y Escutcheon</b>			592-141
33	Escutcheon, ABS Black		801-195
34	Lens, Acyle		813-666
<b>Ass'y Microphone</b>			512-50M-A
M1	Cover Bottom, ABS 94HB BLK		716-630
M2	Cover Upper, ABS 94HB BLK		716-640
M3	Lever, ABS 94HB BLK		740-483
M4	Holder, ABS 94HB BLK		731-940
M5	Clamp Wire (Cord), Nylon		870-036
M6	Screw Tapping (F.H), 3×8-2S Zn-Plate		623-654
M7	Screw Tapping (O.H), 3×16-2S Zn-Plate		623-830
M8	MIC Condenser UM034CY		420-205-9
M9	Cord Curled		420-302-3
M10	Plug 5Pin		421-025-8
M11	Switch Push		432-034-1
M12	Plate Name		794-483

Ref. No.	Description	RS Part No.	MFR. Part No.
M13	Plate Back		794-880
M14	Rubber Holder, BLK		892-890
R601	Resistor Carbonfilm 3.9k ohm 1/16W ± 5%		002-392-4
<b>Hardware KIT</b>			592-143
N1	Nut M3		651-024
S1	Screw Machine (F.H), 3 × 6-2S ZNY		623-168
S2	Screw Machine (B.H), 3 × 10 Zn-Plate		613-332
S3	Screw Tapping (B.H), 3 × 6-2S Zn-Plate		623-265
W1	Washer Spring M3 Zn-Plate		662-305
35	Bushing For TR 2SC2078		441-004-5
S4	Screw Tap Tite (B.H), 3 × 6 BLK		633-082
S5	Screw Maching (F.H), M2.6 × 5 Zn-Plate		611-095
S6	Screw Tap Tite (B.H), 3 × 6 BLK		633-082
W3	Washer M3.5 ZNY		664-703
W4	Washer M5 ZNY		664-518
S8	Screw Tapping, 3.5 × 6-2S Ni-Plate		620-084
S9	Screw Tapping, 5 × 12-1S ZNY		625-007
<b>Installationa KIT</b>			592-142
36	Bracket-Set Mounting, BLK		722-080
S7	Screw-Securing, Black		600-051
W2	Washer Rubber 0.7 × 0.25 × 15T, BLK		660-138
37	Bracket-Microphone		720-095

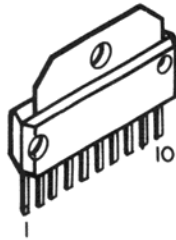
## EXPLODED VIEW PARTS LIST

Ref. No.	Description	RS Part No.	Mfr's Part No.
1	P.C.B, Main		411-020-B
2	Shield Plate, VCO Bottom, SPTE		771-460
3	Insulation Plate, VCO Bottom, Fiber		905-625
4	Ext Jack		420-707-6
5	Body Main		702-225
6	Plate Name		794-875
7	Rivet, Blind		670-025
8	LED Display LTD 323L		252-050-2
9	P.C.B, Sub		411-322-B
10	Strip-Felt, Light Cutter, 31×8.5×1T, BLK		906-136
11	Socket 5 Pin, DIN, Lock Type, BLK		421-513-2
12	Can Shield 90×25×0.3T, SPTE		770-336
13	Body Front		702-230
14	Heatsink (For IC KIA 7217) Large		761-640
15	Heatsink (For IC KIA 7217) Small		760-704
16	Mica (For TR 2SC 2078)		440-004-0
17	Stopper Cord		750-039
18	Receptacle ANT, W/Nut, Washer		421-046-7
19	Holder ANT, SPTE, 29×35×0.3T, Ni-Plate		731-791
20	Ass'y Cord Power W/Fuse 250V 2A		504-055
21	Speaker C065A20-G0062 65M 8 ohm		420-121-6
22	Cap, Speaker PE, Clear		830-043
23	Knob, Channel Up		825-011
24	Knob, Channel Down		825-006
25	Knob, Control		825-116
26	Spring For CH Knob		881-425
27	Upper Cover, Black		717-885
28	Fiber, Insulation Plate 135×100×0.3T		906-025
29	Strip Felt 104×6×0.5T, Black		906-020
30	Bottom Cover, Black		717-890
31	Strip Felt 104×6×0.5T, Black		906-020
32	Strip Felt 100×10×0.3T, Black		906-105
33	Escutcheon, ABS Black		801-195
34	Lens, Acyle		813-666
35	Bushing For TR 2SC2078		441-004-5
36	Bracket-Set Mounting, Black		592-142
37	Bracket-Microphone		720-095
LED1	LED Lamp Green 3V 20mA		251-029-9
LED2	LED Lamp Red 3V 20mA		251-016-7
SW1, 2	Tack Switch SAT-1102-2		436-020-1
VR1	Resistor Variable, W/Nut, Washer 50KA, Volume		450-622-1
VR2	Resistor Variable, W/Nut, Washer 10KA, Squelch		450-424-9
N1	Nut M3		651-024
S1	Screw Machine(F.H) 3×6 – 2S ZNY		623-168
S2	Screw Machine(B.H) 3×10 Zn-Plate		613-332
S3	Screw Tapping (B.H) 3×6 – 2S Zn-Plate		623-265
S4	Screw Tap Tite (B.H) 3×6 BLK		633-082
S5	Screw Maching (F.H) M2.6×5 Zn-Plate		611-095
S6	Screw Tap Tite (B.H) 3×6 BLK		633-082
S7	Screw-Securing, Black		600-051
S8	Screw Tapping 3.5×6 – 2S Ni-Plate		620-084
S9	Screw Tapping 5×12 – 1S ZNY		625-007
W1	Washer Spring M3 Zn-Plate		662-305
W2	Washer Rubber 0.7×0.25×15T, BLK		660-138
W3	Washer M3.5 ZNY		664-703
W4	Washer M5 ZNY		664-518

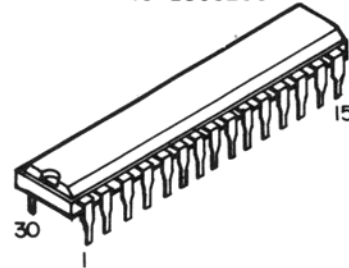
# SEMICONDUCTOR LEAD IDENTIFICATION AND IC INTERNAL CONNECTION

## Integrated Circuits

IC KIA7217AP



IC LC6526C



## Transistors

- MPS 9623
- MPS 9631
- MPS 9634
- MPS 9681
- MPS 9418
- MPS 9468



- KTA 1015
- KTC 1815
- KTC 1959
- KTC 1923



MPS 9426



2SC2314



2SC2078

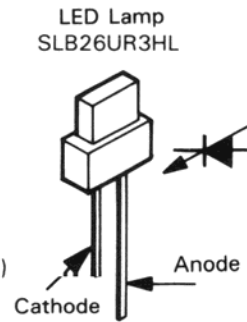
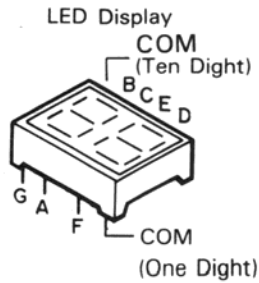
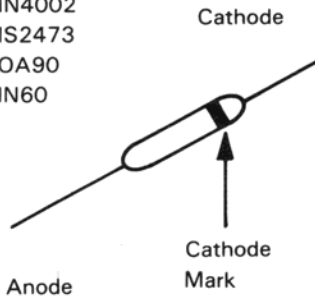


MJF1033S



## Diodes

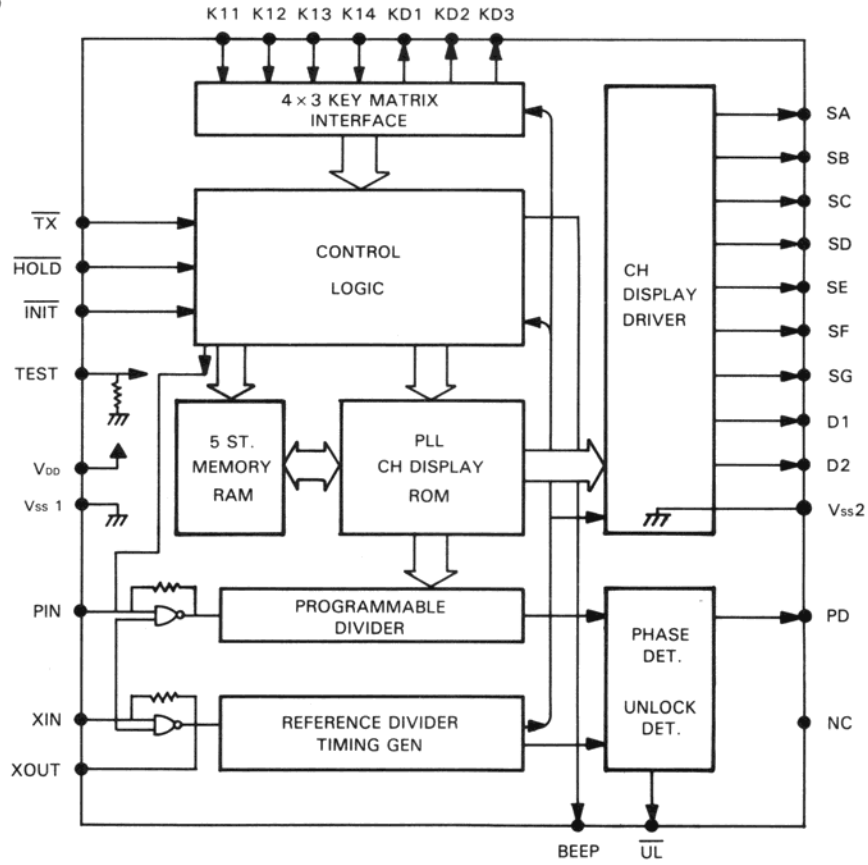
- IN4002
- IS2473
- OA90
- IN60



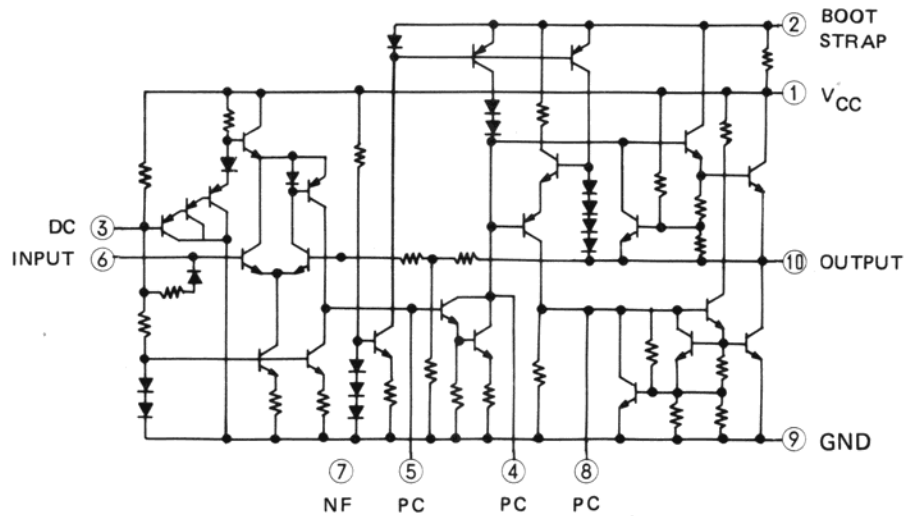
MV2209



**IC1 LC7185**



**IC2 KIA7217AP**



DC: Decoupling  
 PC: Phase compensation  
 NF: Negative feedback

# SEMICONDUCTOR VOLTAGE CHART

Measured At

1. CH 9
2. No Signal
3. No Mod

Transistor

Unit: Volts

Pin TRs	Emitter		Base		Collector	
	Receive	Transmit	Receive	Transmit	Receive	Transmit
Q101	0.82	0.07	1.65	0.36	4.78	0.79
Q102	0.84	0.00	1.57	0.38	11.83	12.78
Q103	0.05	0.00	0.62	0.09	4.77	0.82
Q104	0.97	0.00	1.66	0.39	3.03	0.82
Q105	0.34	0.00	1.07	0.17	13.54	12.80
Q106	0.12	0.09	0.48	0.12	0.32	0.00
Q201	0.08	0.00	0.60	0.13	0.08	0.00
Q202	0.00	0.00	0.00	0.00	0.00	0.00
Q203	0.02	0.02	0.20	0.12	1.07	1.05
Q204	0.58	3.53	1.21	4.15	0.00	0.00
Q205	13.76	13.40	13.75	12.63	0.58	13.36
Q206	0.00	0.00	0.01	0.01	0.08	0.00
Q207	0.37	0.37	1.06	1.05	0.44	0.43
Q301	0.00	0.00	0.74	0.74	3.03	2.86
Q302	4.60	4.54	5.04	5.07	8.14	8.07
Q303	0.00	1.46	0.00	2.18	0.06	8.39
Q304	0.00	1.06	0.00	1.74	13.51	12.14
Q305	0.00	0.00	0.00	0.32	13.53	11.91
Q306	0.00	0.00	0.00	0.11	13.53	11.91
Q501	6.71	6.56	6.04	5.91	4.44	4.36
Q502	6.71	6.56	6.03	5.90	4.08	4.02
Q503	8.58	8.51	8.58	7.78	0.00	8.44
Q504	0.59	0.59	1.01	1.01	3.60	2.42
Q505	0.00	0.00	0.59	0.60	3.60	2.42
Q506	8.58	8.51	9.24	9.20	13.03	12.12
Q508	0.00	0.00	0.00	0.68	1.34	0.00

ICs

IC	Pin No.	Voltage		IC	Pin No.	Voltage	
		Receiver	Transmitter			Receiver	Transmitter
IC1	1	2.58	2.49	IC1	21	0.00	0.00
	2	0.64	0.62		22	0.00	0.00
	3	0.64	0.62		23	2.87	2.88
	4	2.56	2.54		24	5.98	5.90
	5	4.24	4.12		25	5.97	5.90
	6	2.56	2.53		26	8.57	8.55
	7	2.56	2.54		27	1.02	1.03
	8	3.58	3.49		28	0.00	0.00
	9	3.56	3.49		29	0.00	0.00
	10	0.00	0.00		30	5.06	0.82
	11	0.00	0.00	IC2	1	13.79	13.41
	12	0.00	0.00		2	12.59	12.22
	13	0.00	0.00		3	3.98	3.88
	14	0.00	0.00		4	8.17	7.98
	15	1.52	1.47		5	1.50	1.50
	16	0.00	1.51		6	3.39	3.30
	17	0.00	0.01		7	3.40	3.31
	18	1.64	4.86		8	1.27	2.26
	19	3.00	2.96		9	0.00	0.00
	20	2.68	2.65		10	6.88	6.70

**RADIO SHACK**

**A Division of Tandy Corporation**

**Fort Worth, Texas 76102**

8A9

Printed in Korea