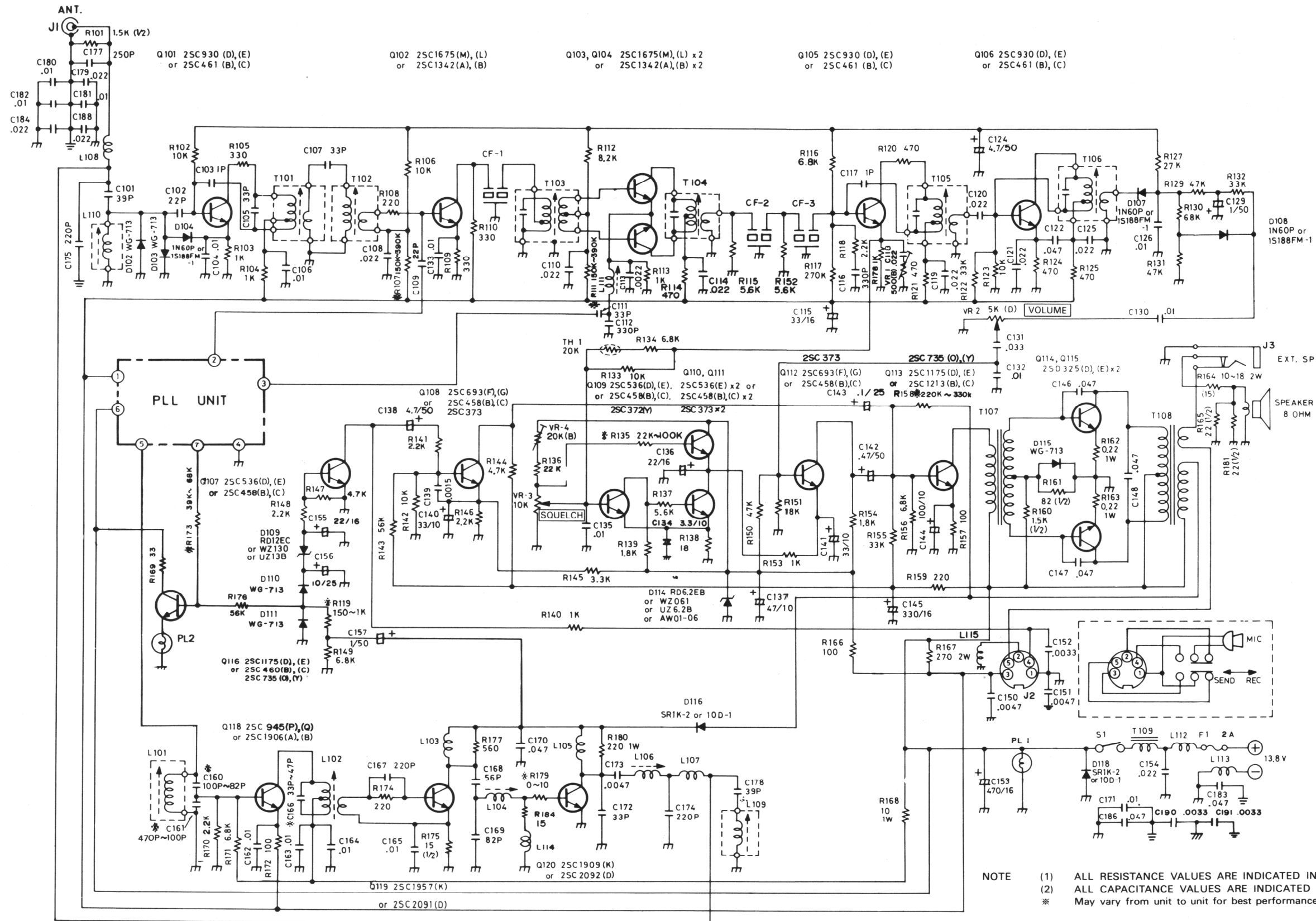


# SCHEMATIC DIAGRAM



## IC-1 VOLTAGE CHART

PIN No.	1	2	3	4	5	6	7	8	9	10	11	12	13	14	15	16	17	18	19	20	21	22	23	24	
RECEIVE & TRANSMIT (V)	0 or 5	0 or 5	0 or 5	0 or 5	0 or 5	0 or 5	0 or 5	0 or 5	0 or 5	2.2	1.0	1.8	5.0	3.0	5.0	5.0	2.4	2.4	5.0	2.6	2.6	2.6	5.0	0	0

## IC-2 VOLTAGE CHART

PIN No.	1	2	3	4	5	6	7	8	9	10	11	12	13	14
TRANSMIT (V)	-	10.5	9.0	5.2	3.3	0	-	-	3.4	5.2	5.3	5.2	9.2	-