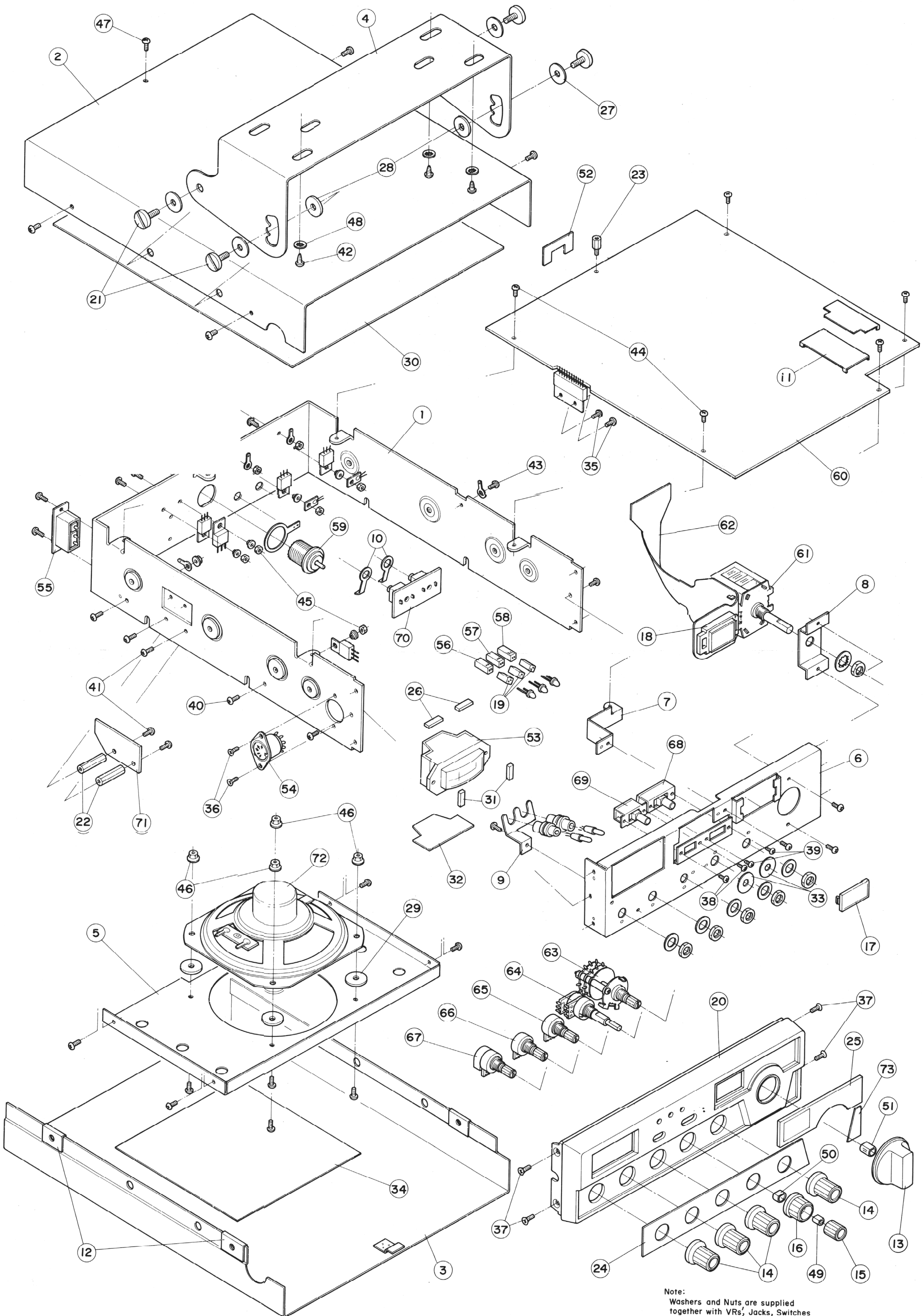


21. EXPLODED VIEW



Note:
Washers and Nuts are supplied
together with VRs, Jacks, Switches
and Connectors.