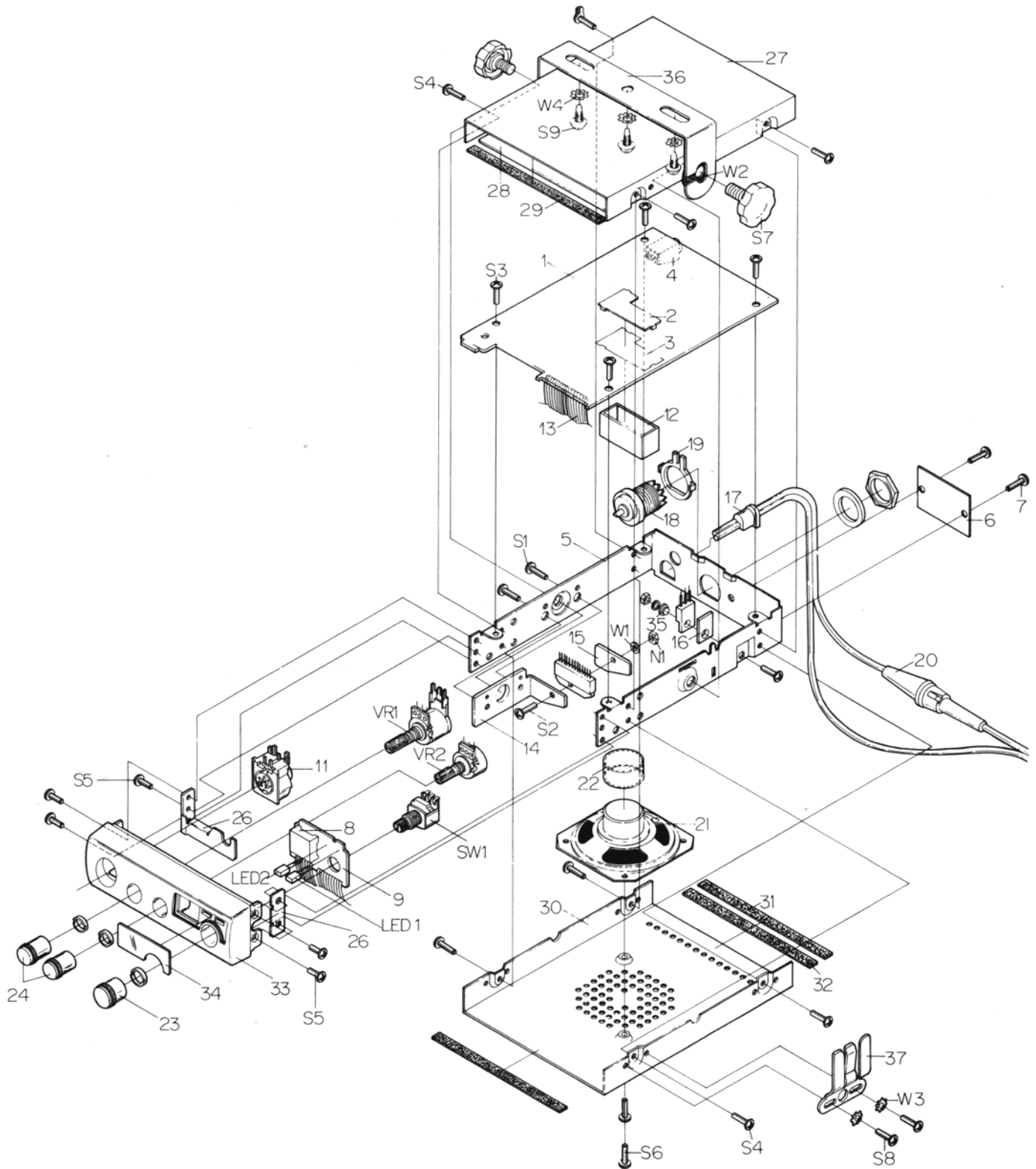


EXPLODED VIEW/DISASSEMBLY



EXPLODED VIEW PARTS LIST

Ref. No.	Description	RS Part No.	Mfr's Part No.
1	P.C.B., Main		411-020-D
2	Shield Plate, Vco Bottom, SPTE		771-460
3	Insulation Plate, Vco Bottom, Fiber		906-025
4	EXT Jack		420-705-1
5	Body, Main		702-225-A
6	Plate, Name		795-497
7	Rivet, Blind		670-025
8	LED Display, LTD 323L		252-050-2
9	P.C.B., SUB		411-346-A
10	Strip-Felt, Light Cutter, 31×8.5×1T, BLK		906-136
11	Socket, 5-Pin, DIN, Lock Type, BLK		421-513-2
12	Can Shield 90×25×0.3T, SPTE		770-336
13	Flat Wire, 6-Pin		429-211-9
14	Heatsink (For IC KIA 7217), Large		761-640
15	Heatsink (For IC KIA 7217), Small		760-704
16	Mica (For TR 2SC 2078)		440-004-0
17	Cord Stopper		750-039
18	Receptacle ANT, W/Nut, Washer		421-046-7
19	Holder ANT, SPTE, 29×35×0.3T, Ni-Plate		731-791
20	Assembly, Cord, Power, W/Fuse, 250V 2A		504-055
21	Speaker C065A20-G0062 65M 8ohm		420-121-6
22	Cap, Speaker PE, Clear		830-043
23	Knob, Channel, BLK		825-986
24	Knob, Volume, BLK		825-987
25	Fiber (Escutcheon)		906-389
26	Bracket		723-768
27	Upper Cover, BLK		717-885
28	Fiber, Insulation Plate 135×100×0.3T		906-025
29	Strip Felt 104×6×0.5T, BLK		906-020
30	Bottom Cover, BLK		717-890
31	Strip Felt 104×6×0.5T, BLK		906-020
32	Strip Felt 100×10×0.3T, BLK		906-105
33	Escutcheon, ABS, BLK		801-268
34	Lens, Acryl		813-831
35	Bushing For TR 2SC2078		441-004-5
36	Bracket-Set Mounting, BLK		723-495
37	Bracket-Microphone		720-095
LED1	LED Lamp, Green, 3V 20mA		251-088-2
LED2	LED Lamp, Red, 3V 20mA		251-090-3
SW 1	Switch-Self, RK 124112HN04ZZZ		439-032-7
VR1	Resistor Variable, W/Nut, Washer 50KA, Volume		450-622-1
VR2	Resistor Variable, W/Nut, Washer 10KB, Squelch		450-424-9

Ref. No.	Description	RS Part No.	Mfr's Part No.
N1	Nut, M3		651-024
S1	Screw, Machine (F.H), 3×6-2S, Zn		623-168
S2	Screw, Machine (B.H), 3×10, Zn		613-332
S3	Screw, Tapping (B.H), 3×6-2S, Zn		623-265
S4	Screw, Tap Tite (B.H), 3×6, BLK		633-082
S5	Screw, Machine (F.H), M2.6×5, Zn		611-095
S6	Screw, Tap Tite (B.H), 3×6, BLK		633-082
S7	Screw, Securing, BLK		600-718
S8	Screw, Tapping, 3.5×6-2S, Ni		620-084
S9	Screw, Tapping, 5×12-1S, Zn		625-007
W1	Washer, Spring, M3, Zn		662-305
W2	Washer, Rubber, 0.7×0.25×t15, BLK		660-138
W3	Washer, M3.5, Zn		664-703
W4	Washer, M5, Zn		664-518

ELECTRICAL PARTS LIST

Ref. No.	Description	RS Part No.	Mfr. Part No.
Main PCB Assembly			514-32M-P
Capacitors			
C101	Ceramic 22P 50V +80% / -20%		130-201-5
C102	Not Used		
C103	Ceramic 0.022 μ F 50V +80% / -20%		130-207-1
C104	Ceramic 47P 50V +80% / -20%		134-716-4
C105	Ceramic 0.047 μ F 50V +80% / -20%		130-405-3
C106	Ceramic 0.022 μ F 50V +80% / -20%		130-207-1
C107	Elect 10 μ F 16V \pm 20%		101-012-7
C108	Ceramic 0.022 μ F 50V +80% / -20%		130-207-1
C109	Ceramic 0.047 μ F 50V +80% / -20%		130-405-3
C110	Elect 22 μ F 16V \pm 20%		102-250-0
C111	Ceramic 0.022 μ F 50V +80% / -20%		130-207-1
C112	Elect 10 μ F 16V \pm 20%		101-012-7
C113	Ceramic 0.022 μ F 50V +80% / -20%		130-207-1
C114	Ceramic 100P 50V +80% / -20%		131-004-9
C115	Ceramic 0.022 μ F 50V +80% / -20%		130-207-1
C116	Ceramic 0.047 μ F 50V +80% / -20%		130-405-3
C117	Ceramic 0.001 μ F 50V +80% / -20%		130-101-8
C118	*Mylar 0.047 μ F 50V \pm 5%		194-702-9
C119	Ceramic 0.047 μ F 50V +80% / -20%		130-405-3
C120	Mylar 0.0068 μ F 50V +80% / -20%		196-802-6
C121	Elect 1 μ F 50V \pm 5%		101-006-2
C122	Mylar 0.01 μ F 50V \pm 5%		191-001-4
C123	Ceramic 5P 50V +80% / -20%		135-005-0
C202	Elect 0.1 μ F 50V \pm 20%		100-102-0
C203	Elect 1 μ F 50V \pm 20%		101-006-2
C204	Elect 10 μ F 16V \pm 20%		101-012-7
C205	Mylar 0.0082 μ F 50V \pm 5%		198-201-3
C206	Mylar 0.0068 μ F 50V \pm 5%		196-802-6
C207-C208	Mylar 0.033 μ F 50V \pm 5%		193-302-6
C209	Mylar 0.0047 μ F 50V \pm 5%		194-701-8
C210	Tantalum 3.3 μ F 16V \pm 20%		143-301-0
C211	Elect 0.1 μ F 50V \pm 20%		100-102-0
C212	Ceramic 220PF 50V +80% / -20%		132-204-8
C213	Elect 33 μ F 16V \pm 20%		103-313-9
C214-C215	Mylar 0.068 μ F 50V \pm 50%		196-803-7
C216	Ceramic 220PF 50V +80% / -20%		132-204-8
C217	Elect 47 μ F 16V \pm 20%		104-712-1
C218	Elect 220 μ F 16V \pm 20%		102-223-6
C219	Elect 1000 μ F 16V \pm 20%		101-048-0
C220	Elect 22 μ F 16V \pm 20%		102-210-4

*Mylar is a registered trademark of E. I. DuPont de Nemours and Company, Inc.

Ref. No.	Description	RS Part No.	Mfr. Part No.
C221	Elect 100 μ F 16V \pm 20%		101-022-6
C222	Elect 33 μ F 16V \pm 20%		103-313-9
C223	Ceramic 0.01 μ F 50V +80% / -20%		130-102-9
C224-C225	Ceramic 0.001 μ F 50V +80% / -20%		130-101-8
C226	Elect 47 μ F 16V +80% / -20%		104-712-1
C227	Elect 10 μ F 16V +80% / -20%		101-012-7
C228	Elect 47 μ F 16V +80% / -20%		104-712-1
C300	Ceramic 68P 50V +80% / -20%		136-801-7
C301	Ceramic 18P 50V +80% / -20%		131-801-2
C302	Ceramic 22P 50V +80% / -20%		132-201-5
C303	Mica 47P 50V \pm 5%		164-701-9
C304	Ceramic 33P 50V +80% / -20%		133-301-7
C305	Ceramic 27P(NPO) 50V \pm 10%		132-705-4
C306	Ceramic 220P 50V +80% / -20%		132-204-8
C307	Ceramic 120P 50V +80% / -20%		131-202-1
C308	Ceramic 0.01 μ F 50V +80% / -20%		130-102-9
C309	Ceramic 39P 50V +80% / -20%		133-904-2
C310	Ceramic 4P 50V +80% / -20%		134-003-3
C311	Ceramic 0.022 μ F 50V +80% / -20%		130-207-1
C312-C313	Ceramic 0.01 μ F 50V +80% / -20%		130-020-3
C314	Ceramic 100P(NPO) 50V \pm 10%		131-020-3
C315	Elect 2.2 μ F 16V \pm 20%		102-204-9
C316	Ceramic 0.047 μ F 50V +80% / -20%		130-405-3
C317	Ceramic 100P(NPO) 50V \pm 10%		131-020-3
C318	Not Used		
C319	Ceramic 0.022 μ F 50V +80% / -20%		130-207-1
C320	Ceramic 82P(NPO) 50V \pm 10%		138-204-8
C321	Ceramic 220P 50V +80% / -20%		132-204-8
C322	Ceramic 330P 50V +80% / -20%		133-302-8
C323	Ceramic 60P(MPO) 50V \pm 10%		136-002-2
C324	Ceramic 47P 50V +80% / -20%		134-701-0
C325	Ceramic 100P(NPO) 50V \pm 10%		131-020-3
C326	Ceramic 390P 50V +80% / -20%		133-904-2
C327	Ceramic 470P 50V +80% / -20%		134-702-1
C328	Ceramic 150P(NPO) 50V +80% / -20%		131-510-9
C500	Elect 1 μ F 50V \pm 20%		101-006-2
C501	Elect 470 μ F 16V \pm 20%		104-723-1
C502-C506	Ceramic 0.01 μ F 50V +80% / -20%		130-102-9
C507	Elect 0.47 μ F 50V \pm 20%		100-405-4
C508	Mylar 0.047 μ F 50V \pm 5%		194-702-9
C509	Ceramic 4P 50V +80% / -20%		134-003-3

Ref. No.	Description	RS Part No.	Mfr. Part No.
C510	Ceramic 10P 50V +80% / -20%		131-002-7
C511	Mica 39P 50V ±5%		163-901-8
C512	Trimmer 20P		172-002-4
C513	Mica 39P 50V ±5%		163-901-8
C514	Elect 220 μ F 16V ±20%		102-223-6
C515	Elect 47 μ F 16V ±20%		104-712-1
C516-C517	Ceramic 0.01 μ F 50V +80 -20%		130-102-9
C518	Ceramic 0.001 μ F 50V +80 -20%		130-101-8
C519	Elect 10 μ F 16V ±20%		101-012-7
C520	Not Used		
C521-C524	Ceramic 0.01 μ F 50V +80% / -20%		130-101-8
C525	Not Used		
C526	Ceramic 0.01 μ F 50V +80% / -20%		130-101-8
C527	Ceramic 6P 50V +80% / -20%		136-001-1
C528	Ceramic 0.01 μ F 50V +80% / -20%		130-102-9
C529	Ceramic 0.001 μ F 50V +80% / -20%		130-101-8
Coils			
L1	27MHz RX ANT., Can Type		320-314-3
L2	27MHz RF AMP(RX), Can Type		320-315-4
L3	10.6MHz RF 1'st Mixer, Can Type		320-316-5
L4	IFT 455MHz-A, Can Type		320-154-5
L5	IFT 455MHz-B, Can Type		320-155-6
L6	VCO Can Type		320-317-6
L7-L8	27MHz RF AMP A, Can Type		320-318-7
L9	27MHz RF AMP B, Can Type		320-319-8
L10	0.25 μ H, Spring Type		310-047-9
L11	0.65 μ H, Spring Type		310-068-8
L12	27MHz TX ANT Tuning, Bobbin Type		320-034-0
L13	0.32 μ H, Spring Type		310-054-5
RFC1	100 μ H, Mold Type		310-096-3
RFC2	6.8 μ H, Resistor Type		310-291-2
RFC3	Not Used		
RFC4	0.8 μ H, Spring Type		310-072-1
RFC5	2.2 μ H, Resistor Type		310-289-1
RFC6	0.5 μ F, Spring Type		310-065-5
RFC7	20 μ F, Core Type		310-034-7
RFC8	6.8 μ H, Resistor Type		310-291-2
RFC9	4 μ H, Bobbin Type		310-100-3
RFC10	22 μ H, Mold Type		310-114-6

Ref. No.	Description	RS Part No.	Mfr. Part No.
Crystals			
X1	Crystal 10.240MHz HC-18/U		260-485-5
Diodes			
D1-D10	IS 2473		243-004-3
D11-D12	OA90		244-003-7
D13-D14	In 4002		245-004-3
D15	8.2B 1W		241-050-4
D16-D17	9.1B		241-020-7
D18	Varicap MV2209		240-006-0
D19	IS 2473		243-004-3
D20	OA90		244-003-7
Filters			
CF1	Ceramic 10.7MJ		270-010-2
CF2	Ceramic CFU 455HT or Ceramic CFU 455P		270-006-9 270-064-1
Integrated Circuits			
IC1	LC 7185, PLL		224-063-5
IC2	KIA 7217AP Audio		222-006-4
Resistors Note : Unless otherwise specified, all resistors are carbonfilm, 1/8W ±5%.			
R101	330 ohm		001-331-9
R102	33K ohm		002-333-1
R103	680 ohm		002-681-5
R104	18 ohm		002-180-9
R105	100 ohm		002-101-8
R106	2.7K ohm		002-272-9
R107	220 ohm		002-221-3
R108	470 ohm		002-471-2
R109	560 ohm		002-561-0
R110	3.9K ohm		002-392-4
R111	100 ohm		002-101-8
R112	1.8K ohm		002-182-1
R113	10K ohm		002-103-0
R114	150K ohm		002-154-6
R115	470 ohm		002-471-2
R116	1K ohm		002-102-9
R117	12K ohm		002-123-8
R118	3.3K ohm		002-332-0
R119	220 ohm		002-221-3
R120	47 ohm		002-470-1

Ref. No.	Description	RS Part No.	Mfr. Part No.
R121	22K ohm		002-223-5
R122	47K ohm		002-473-4
R123	330K ohm		002-334-2
R124	82K ohm		002-823-7
R125	33K ohm		002-333-1
R126	47K ohm		002-473-4
R127	15K ohm		002-153-5
R128	27K ohm		002-273-0
R129	470 ohm		002-471-2
R130	330 ohm		002-331-9
R201-R202	2.2K ohm		202-222-4
R203-R204	4.7K ohm		002-472-3
R205	3.3K ohm		002-332-0
R206	100K ohm		002-104-1
R207	27K ohm		002-273-0
R208	470K ohm		002-474-5
R209	22K ohm		002-223-5
R210	3.3K ohm		002-332-0
R211-R212	2.2K ohm		002-222-4
R213	56 ohm		002-560-9
R214	33K ohm		002-333-1
R215	470 ohm		002-471-2
R216	10K ohm		002-103-0
R217	1K ohm		002-102-9
R218	10K ohm		002-103-0
R219	47 ohm		002-470-1
R220	1 ohm		002-109-6
R221	4.7K ohm		002-473-2
R222	8.2K ohm		002-472-3
R223	5.6K ohm		002-562-1
R224	1.8K ohm		002-182-1
R225	15 ohm 2W \pm 5% Metal Oxide		019-150-0
R226	10 ohm		002-100-7
R227	2.7K ohm		002-272-9
R228	100 ohm		002-101-8
R229	100K ohm		002-104-1
R230	3.9K ohm		002-392-4
R231	1K ohm		002-109-2
R232	33K ohm		002-331-1
R301	820 ohm		002-821-5
R302	120K ohm		002-124-9

Ref. No.	Description	RS Part No.	Mfr. Part No.
R303	2.7K ohm		002-272-9
R304	220K ohm		002-224-6
R305	150K ohm		002-154-6
R306	390 ohm		002-391-3
R307-R309	4.7K ohm		002-972-3
R310	68 ohm		002-680-4
R311-R312	100 ohm		002-101-8
R313	220 ohm		002-221-3
R314	2.2 ohm		002-229-1
R315	4.7K ohm 1/2W ±5%		030-472-2
R500	1K ohm		002-102-9
R501	100 ohm		030-101-7
R502-R503	3.3K ohm		002-332-0
R504	10K ohm		002-103-0
R505	220 ohm		002-221-3
R506	270K ohm		002-274-1
R507	390K ohm		002-394-6
R508-R509	10K ohm		002-103-0
R510	1K ohm		002-102-9
R511	2.2K ohm		002-222-4
R512	10K ohm		002-103-0
R513	33K ohm		002-333-1
R514	82K ohm		002-823-7
R515	4.7K ohm		012-472-3
R516	22K ohm		001-223-5
R517-R518	22 ohm		001-220-3
R519	100 ohm		001-101-8
R520-R521	470 ohm		001-471-2
R522	560 ohm		002-561-0
R523	47 ohm		002-470-1
R524	4.7K ohm		002-472-3
R525-R531	150 ohm		002-151-3
RV1	Semifixed 10KB 8Dia ±25%		061-103-1
RV2	Semifixed 5KB 8Dia ±25%		061-502-1
Transistors			
Q101-Q103	MPS 1923(O) "NPN" or MPS 9426(C)		203-017-8 203-005-2
Q104-Q105	KTC 1923(Y) "NPN" or MPS 9623(O)		202-060-7 203-011-7
Q106	KTA 1015(GR) "PNP" or MPS 9681(T)		202-036-5 203-009-6

Ref. No.	Description	RS Part No.	Mfr. Part No.
Q201-Q203	KTC 1815(GR) "NPN" or MPS 9681(T)		202-023-3 203-009-6
Q204-Q205	KTA 1015(GR) "PNP" or MPS 9681(T)		202-036-5 203-009-6
Q206-Q207	KTC 1815(GR) "NPN" or MPS 9681(T)		202-023-3 203-009-6
Q301-Q302	KTC 1923(Y) "NPN" or		202-060-7
Q303	MPS 9426(C) "NPN"		203-005-2
Q304	KTC 1923(O) "NPN" or MPS 9426(C)		202-017-8 203-005-2
Q305	2SC 2314(F) TX PRE AMP		204-017-8
Q306	2SC 2078(D) TX Power AMP		204-010-1
Q501-Q503	KTA 1015(GR) "PNP" or MPS 9681(T)		202-036-5 203-009-6
Q504-Q505	MPS 9634(C) "NPN"		203-002-9
Q506	KTC 1959(O) "NPN" or MPS 9418(T)		202-056-4 202-010-6
Q507	Not Used		
Q508	KTC 1815(GR) "NPN"		202-023-3
Transformers			
CT1	OPT		300-115-4
CH1	Choke		300-116-5
Main PCB			514-32M-P
1	P.C.B., Blank		411-020-D
2	Shield Plate, Vco Bottom, Spte		771-460
3	Insulation Plate, Vco Bottom, Fiber		906-025
4	EXT Jack		420-705-1
Main Body Assembly			592-140
5	Body, Main		702-225-A
6	Plate, Name		795-497
7	Rivet, Blind		670-025
PCB Subassembly			514-32S-A
LED1	LED Lamp, Green, 3V 20mA		251-088-2
LED2	LED Lamp, Red, 3V 20mA		251-090-3
8	LED Display, LTD323L		252-050-2
SW1	Self Switch RK 124112HN04ZZZ		439-032-7
9	P.C.B., Blank		411-346-A

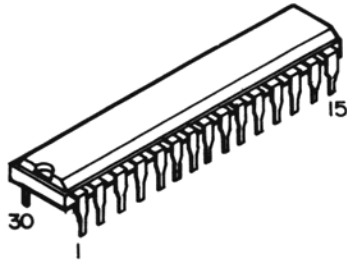
Ref. No.	Description	RS Part No.	Mfr. Part No.
Miscellaneous			
C601	Ceramic 0.01 μ F 50V +80% / -20%		130-102-9
VR1	VR W/NUT, Washer 50KA, Volume		450-622-1
VR2	VR W/NUT, Washer 10KB, Squelch		450-424-9
11	5-Pin Socket, DIN Lock Type, Blk		421-513-2
12	Shield Can 90 \times 25 \times 0.3, Spte		770-336
13	Flat Wire, 6-Pin 70mm(2.5mm)		429-211-9
14	Heatsink (For IC KIA 7217) Large		761-640
15	Heatsink (For IC KIA 7217) Small		760-704
16	Mica (For TR 2SC 2078)		440-004-0
17	Cord Stopper		750-039
18	Receptacle, Ant W/NUT, Washer		421-046-7
19	ANT Holder Spte 29 \times 35 \times 0.3t Ni-Plat		731-791
20	Power Cord Assembly W/Fuse 250V 2A		504-055
21	Speaker C065A20-G0062 65M 8ohm		420-121-6
22	Cap, Speaker PE, Clear		830-043
23	Knob, Channel, Black		825-986
24	Knob, Volume, Squelch, Black		825-987
25	Fiber (Escutcheon)		906-389
26	Bracket		723-768
Upper Cover Assembly			592-138
27	Upper Cover, Black		717-885
28	Fiber, Insulation Plate 135 \times 100 \times 03t		906-025
29	Strip Felt 104 \times 6 \times 0.5t Black		906-020
Bottom Cover Assembly			592-139
30	Bottom Cover, Black		717-890
31	Strip Felt 104 \times 6 \times 0.5t Black		906-020
32	Strip Felt 100 \times 10 \times 0.3t Black		906-105
Escutcheon Assembly			592-141
33	Escutcheon, ABS, Black		801-268
34	Lens		813-831
Microphone Assembly			514-32M-A
M1	Bottom Cover, ABS 94HB BLK		716-630
M2	Upper Cover, ABS 94HB BLK		716-640-A
M3	Lever, ABS 94HB BLK		740-483-A
M4	Holder, ABS 94HB BLK		731-940
M5	Wire Clamp, Cord, Nylon		870-036
M6	Tapping Screw(F.H) 3 \times 6-2S Zn-Plat		623-682

Ref. No.	Description	RS Part No.	Mfr. Part No.
M7	Tapping Screw(O.H) 3×16–2S Zn-Plat		623-830
M8	Condenser MIC., UM034CY		420-205-9
M9	Curled Cord		420-302-3
M10	5-Pin Plug		421-025-8
M11	Push Switch		432-058-3
M12	Name Plate		794-483
M13	Back Plate		794-880
M14	Holder, Rubber, BLK		892-890
M15	Polybag 150×250×0.05t		921-525-P
R601	Resistor, Carbonfilm 3.9K ohm 1/8W ±5%		002-392-4
Hardware Kit			592-143
N1	Nut, M3		651-024
S1	Machine Screw (F.H) 3×6–2S Zn		623-168
S2	Machine Screw (B.H) 3×10 Zn-Plat		613-332
S3	Tapping Screw (B.H) 3×6–2S Zn-Plat		623-265
W1	Washer (Spring) M3 Zn-Plat		662-305
35	Bushing (For TR 2SC2078)		441-004-5
S4	Tap Tite Screw (B.H) 3×6 BLK		633-082
S5	Machine Screw (F.H), M2.6×5, Zn		611-095
S6	Tap Tite Screw (B.H) 3×6 BLK		633-082
Installation Kit			592-142
36	Bracket, Set Mounting, BLK		723-495
S7	Screw, Securing, Black		600-718
W2	Washer Rubber 0.7×0.25×15t BLK		660-138
37	Bracket, Microphone		720-095
W3	Washer M3.5 Zn-Plat		664-703
W4	Washer M5.0 Zn-Plat		664-518
S8	Tapping Screw 3.5×6–2S Ni-Plat		620-084
S9	Tapping Screw 5×12–1S Zn-Plat		625-007

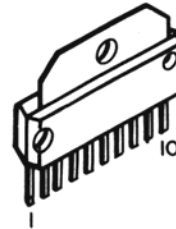
SEMICONDUCTOR LEAD IDENTIFICATION AND IC INTERNAL DIAGRAM

1. Integrated Circuits

IC-1 LC7185



IC-2 KIA 7217AP



2. Transistors

MPS 9623
MPS 9631
MPS 9634
MPS 9681
MPS 9418
MPS 9468



KTA 1015
KTC 1815
KTC 1959
KTC 1923



MPS 9426



2SC2314

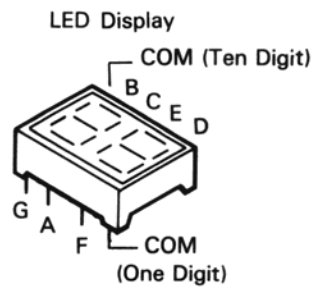
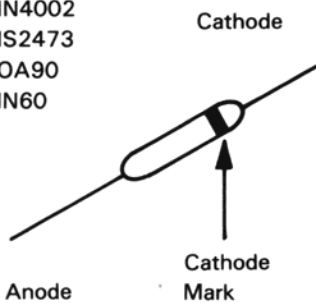


2SC2078

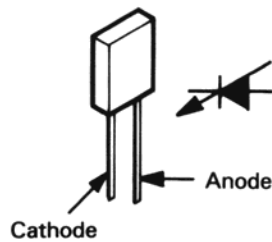


3. Diodes

IN4002
IS2473
OA90
IN60



LED Lamp

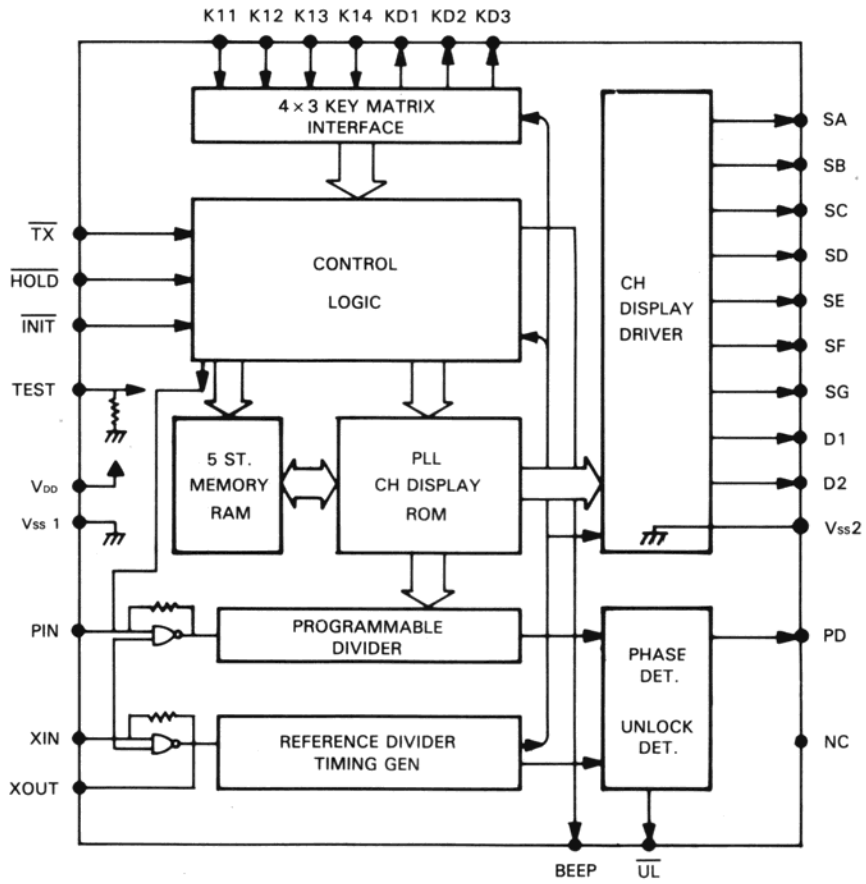


MV2209

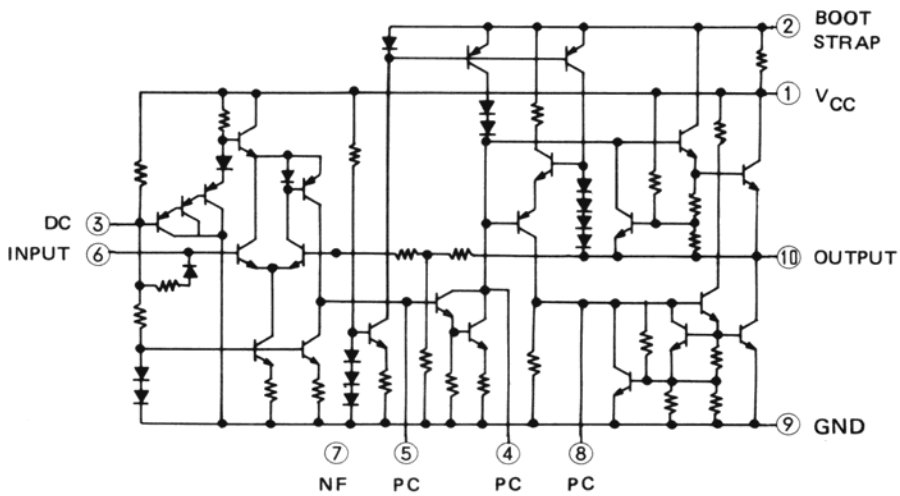


LTL-3213A RED
LTL-3233A GRN

IC1 LC7185



IC2 KIA7217AP



DC: Decoupling
 PC: Phase compensation
 NF: Negative feedback

SEMICONDUCTOR VOLTAGE CHART

Measured At

1. CH 9
2. No Signal
3. No Mod

1. Transistors

Unit : Volts

Pin TRs	Emitter		Base		Collector	
	Receive	Transmit	Receive	Transmit	Receive	Transmit
Q101	0.82	0.07	1.65	0.36	4.78	0.79
Q102	0.84	0.00	1.57	0.38	11.83	12.78
Q103	0.05	0.00	0.62	0.09	4.77	0.82
Q104	0.97	0.00	1.66	0.39	3.03	0.82
Q105	0.34	0.00	1.07	0.17	13.54	12.80
Q106	0.12	0.09	0.48	0.12	0.32	0.00
Q201	0.08	0.00	0.60	0.13	0.08	0.00
Q202	0.00	0.00	0.00	0.00	0.00	0.00
Q203	0.02	0.02	0.20	0.12	1.07	1.05
Q204	0.58	3.53	1.21	4.15	0.00	0.00
Q205	13.76	13.40	13.75	12.63	0.58	13.36
Q206	0.00	0.00	0.01	0.01	0.08	0.00
Q207	0.37	0.37	1.06	1.05	0.44	0.43
Q301	0.00	0.00	0.74	0.74	3.03	2.86
Q302	4.60	4.54	5.04	5.07	8.14	8.07
Q303	0.00	1.46	0.00	2.18	0.06	8.39
Q304	0.00	1.06	0.00	1.74	13.51	12.14
Q305	0.00	0.00	0.00	0.32	13.53	11.91
Q306	0.00	0.00	0.00	0.11	13.53	11.91
Q501	6.71	6.56	6.04	5.91	4.44	4.36
Q502	6.71	6.56	6.03	5.90	4.08	4.02
Q503	8.58	8.51	8.58	7.78	0.00	8.44
Q504	0.59	0.59	1.01	1.01	3.60	2.42
Q505	0.00	0.00	0.59	0.60	3.60	2.42
Q506	8.58	8.51	9.24	9.20	13.03	12.12
Q508	0.00	0.00	0.00	0.68	1.34	0.00

2. ICs

IC	Pin No.	Voltage		IC	Pin No.	Voltage	
		Receiver	Transmitter			Receiver	Transmitter
IC1	1	2.58	2.49	IC1	21	0.00	0.00
	2	0.64	0.62		22	0.00	0.00
	3	0.64	0.62		23	2.87	2.88
	4	2.56	2.54		24	5.98	5.90
	5	4.24	4.12		25	5.97	5.90
	6	2.56	2.53		26	8.57	8.55
	7	2.56	2.54		27	1.02	1.03
	8	3.58	3.49		28	0.00	0.00
	9	3.56	3.49		29	0.00	0.00
	10	0.00	0.00		30	5.06	0.82
	11	0.00	0.00	IC2	1	13.79	13.41
	12	0.00	0.00		2	12.59	12.22
	13	0.00	0.00		3	3.98	3.88
	14	0.00	0.00		4	8.17	7.98
	15	1.52	1.47		5	1.50	1.50
	16	0.00	1.51		6	3.39	3.30
	17	0.00	0.01		7	3.40	3.31
	18	1.64	4.86		8	1.27	2.26
	19	3.00	2.96		9	0.00	0.00
	20	2.68	2.65		10	6.88	6.70