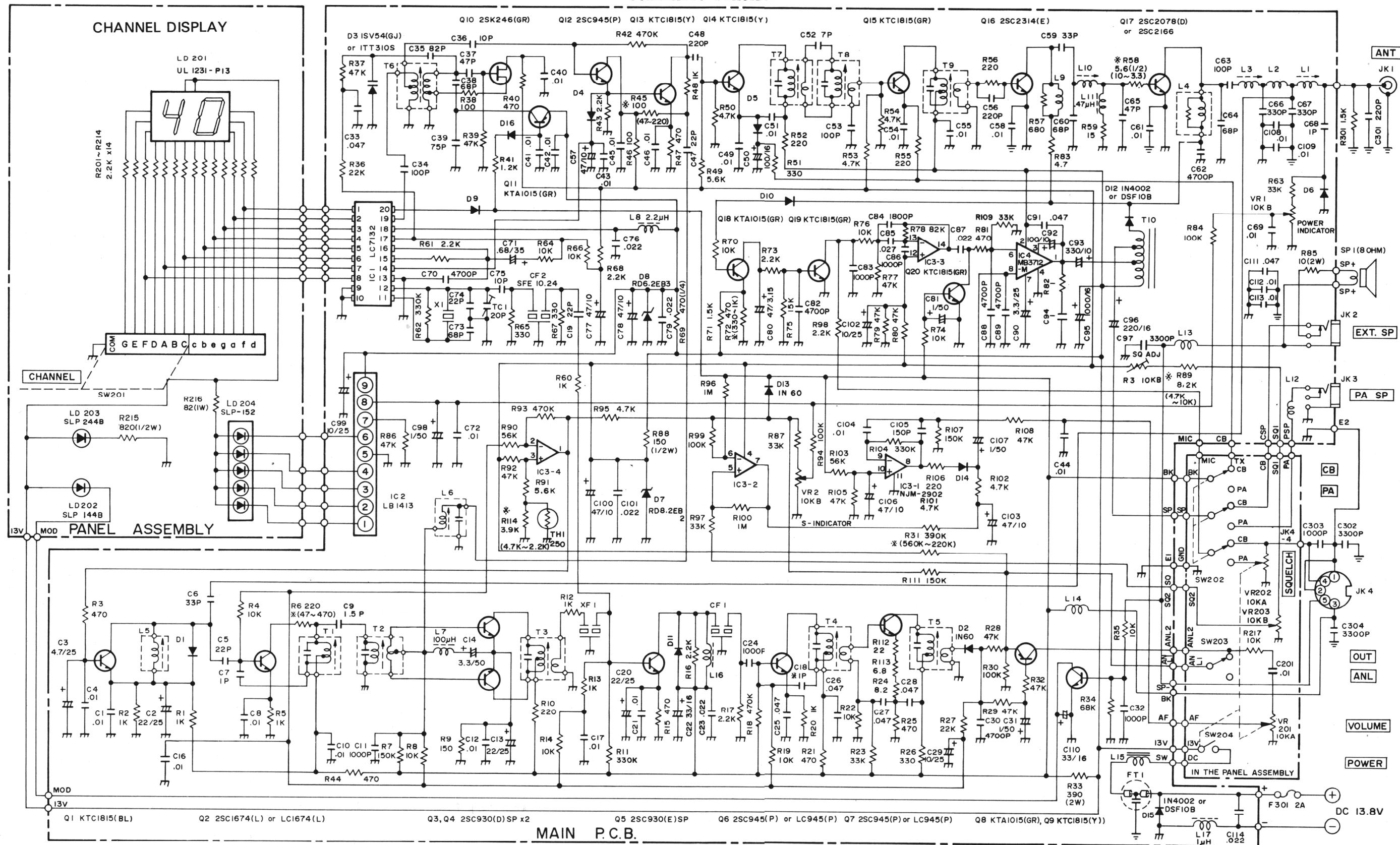


SCHMATIC DIAGRAM



- NOTES: (1) ALL RESISTANCE VALUES ARE INDICATED IN "OHM" (K = 10^3 OHM, M = 10^6 OHM)
 (2) ALL CAPACITANCE VALUES ARE INDICATED IN " μ F" (P = 10^{-6} μ F)
 (3) NOT INDICATED DIODE ARE ISS202 or GMA-01
 (4) * : MAY VARY FROM UNIT TO UNIT FOR BEST PERFORMANCE.

