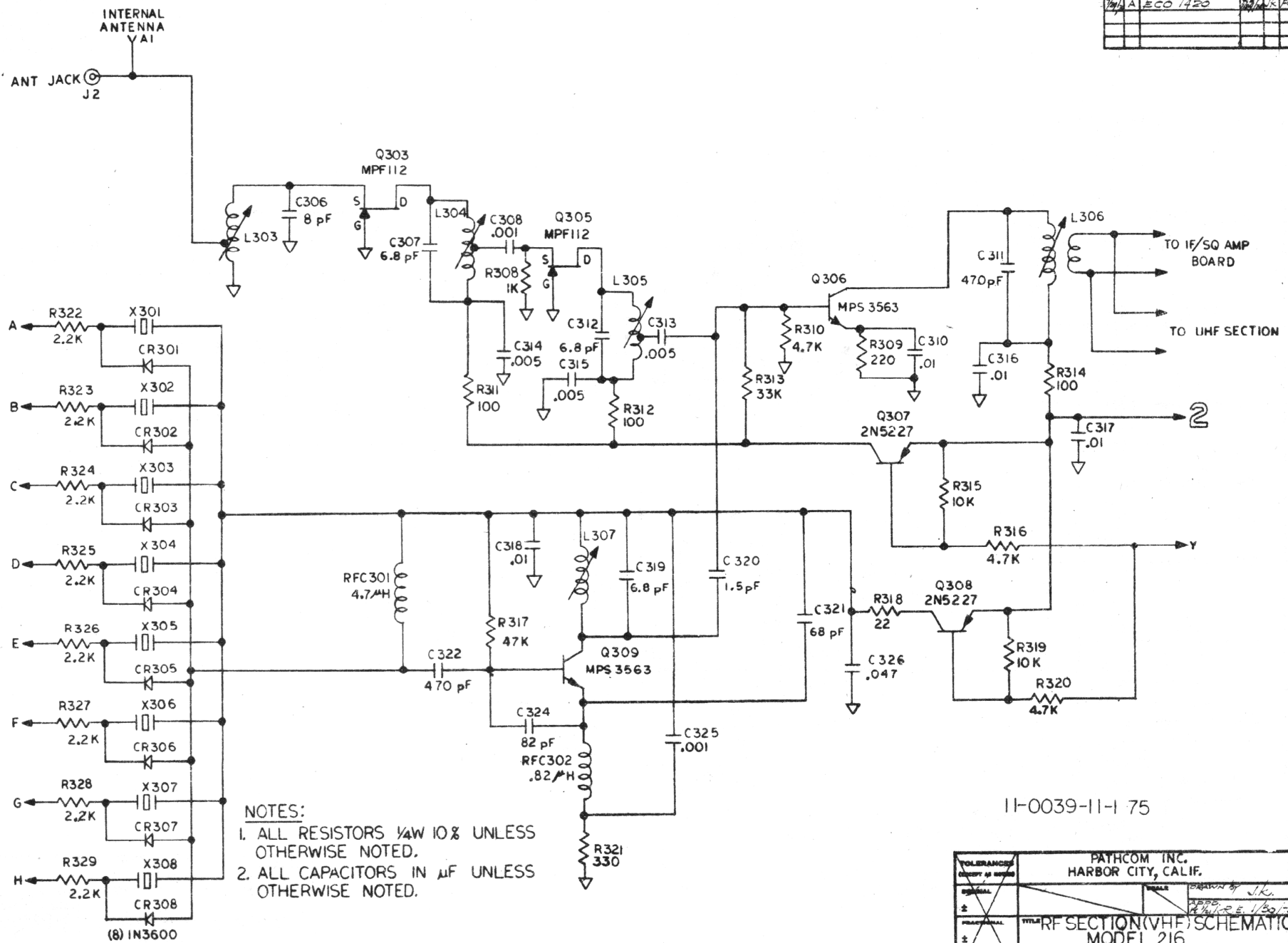


DATE	BY	REVISION	RECORDED	CHKD	APP'D
1/11/73	A	ECO 1420			



- NOTES:
1. ALL RESISTORS 1/4W 10% UNLESS OTHERWISE NOTED.
  2. ALL CAPACITORS IN  $\mu\text{F}$  UNLESS OTHERWISE NOTED.

11-0039-11-1 75

TOLERANCES UNLESS OTHERWISE SPECIFIED		PATHCOM INC. HARBOR CITY, CALIF.	
RESISTOR	± 5%	WARRANTY	DATE
CAPACITOR	± 5%	DRAWN BY	1/11/73
INDUCTOR	± 5%	APPROVED	11-0039-11
TITLE: VHF SECTION (VHF) SCHEMATIC MODEL 216		DRAWING NUMBER: 11-0039-11	
DATE	1/11/73	REVISION	A

Figure 6-8. VHF/RF Circuit for SCAN 216