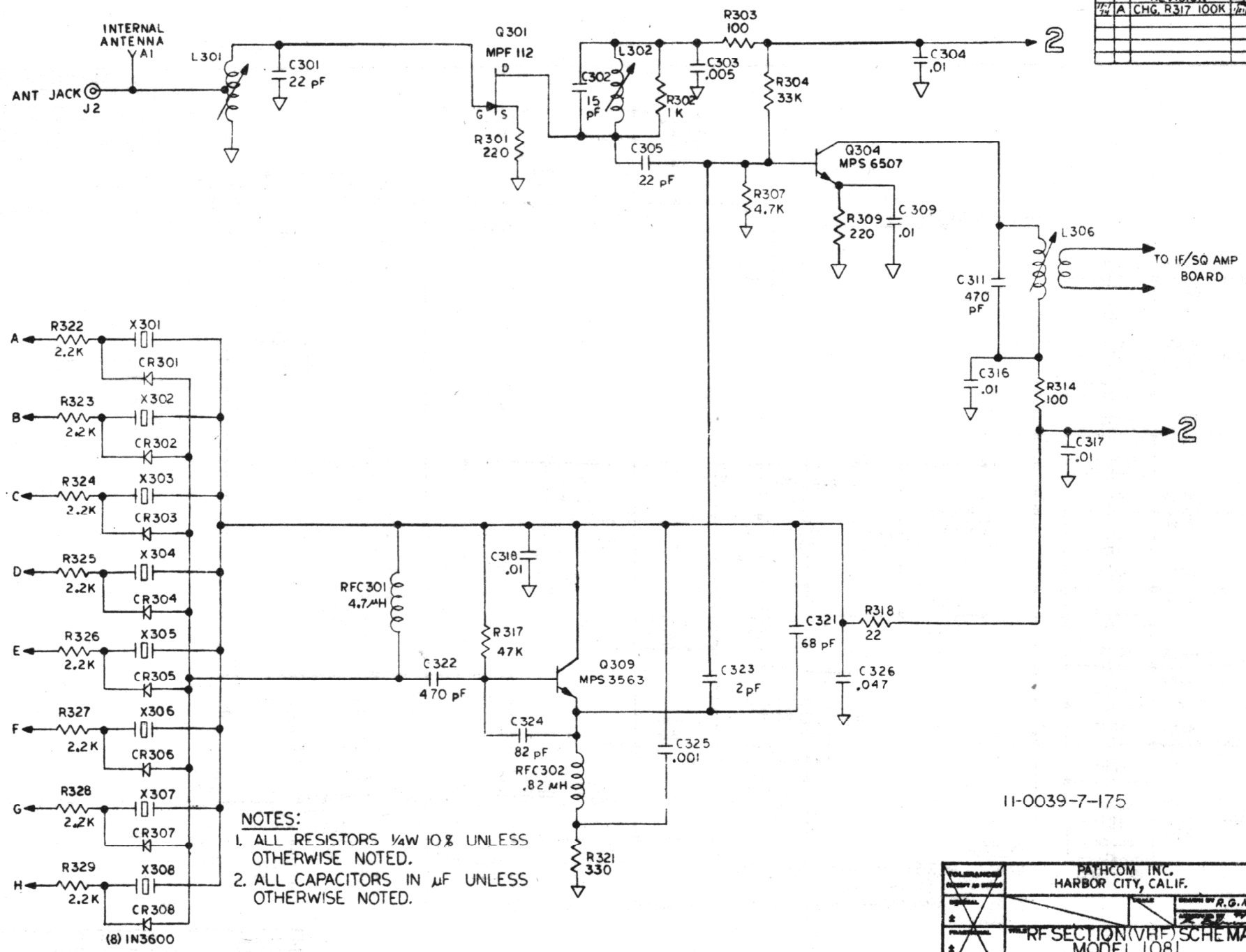


DATE	SYN	REVISION	AUTH	CHK
11/74	A	CHG. R317 100K	12/15/74	JK



- NOTES:**
1. ALL RESISTORS 1/4W 10% UNLESS OTHERWISE NOTED.
 2. ALL CAPACITORS IN μ F UNLESS OTHERWISE NOTED.

11-0039-7-175

TOLERANCES UNLESS OTHERWISE SPECIFIED		PATHCOM INC. HARBOR CITY, CALIF.	
RESISTORS	10%	DESIGNED BY R.G. NEILL	DATE 3-27-72
CAPACITORS	10%	RF SECTION (VHF) SCHEMATIC	MODEL 108L
TRANSISTORS	10%	11-0039-7A	

Figure 6-11. VHF/RF Circuit for SCAN 108L