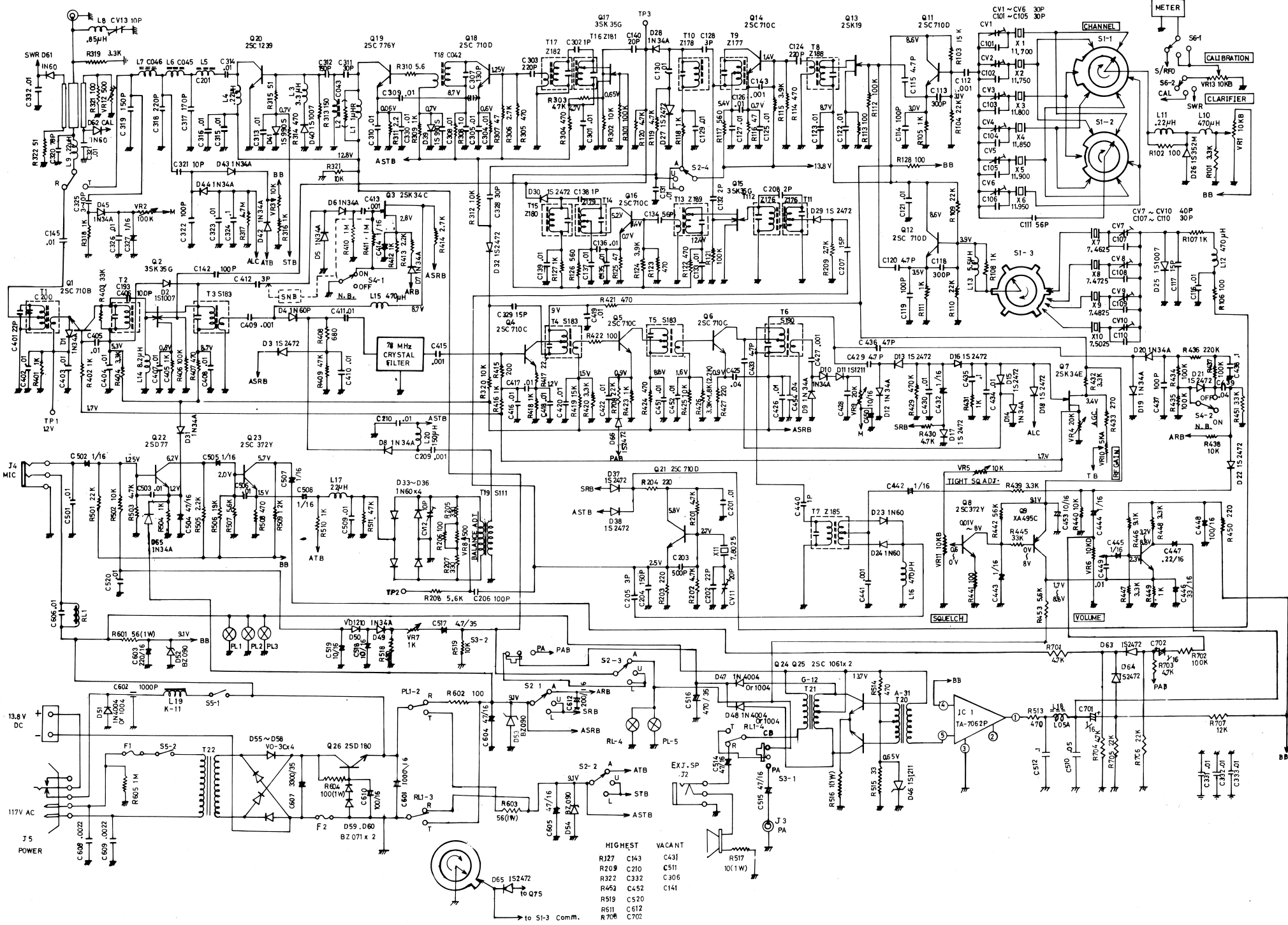


SCHEMATIC DIAGRAM



- | | |
|---------|--------|
| HIGHEST | VACANT |
| R127 | C143 |
| R209 | C210 |
| R322 | C332 |
| R453 | C452 |
| R519 | C520 |
| R511 | C512 |
| R708 | C702 |

