

This Manual is provided by
CBTricks.com

<http://www.cbtricks.com/>

Someone who wanted to help you repair your equipment
scanned this manual.

If you would like to help us put more manuals online support us.

Supporters of CBTricks.com paid for the hosting so you would have this file.

CBTricks.com is a non-commercial personal website was created to help promote the exchange of service, modification, technically oriented information, and historical information aimed at the Citizens Band, GMRS (CB "A" Band), MURS, Amateur Radios and RF Amps.

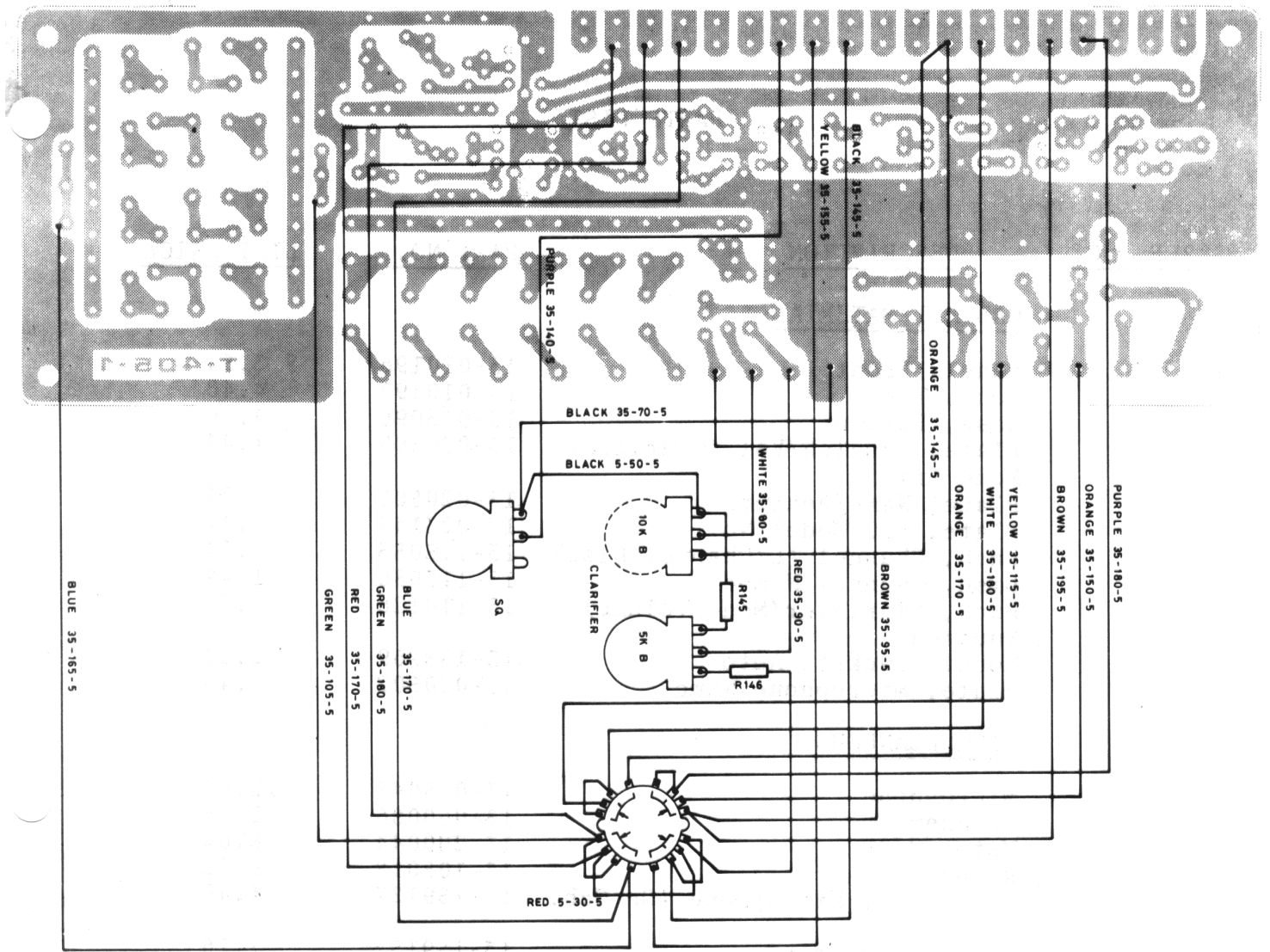
CBTricks.com is not sponsored by or connected to any Retailer, Radio, Antenna Manufacturer or Amp Manufacturer, or affiliated with any site links shown in the links database. The use of product or company names on my web site is not endorsement of that product or company.

If your company would like to provide technical information to be featured on this site I will put up on the site as long as I can do it in a non-commercial way.

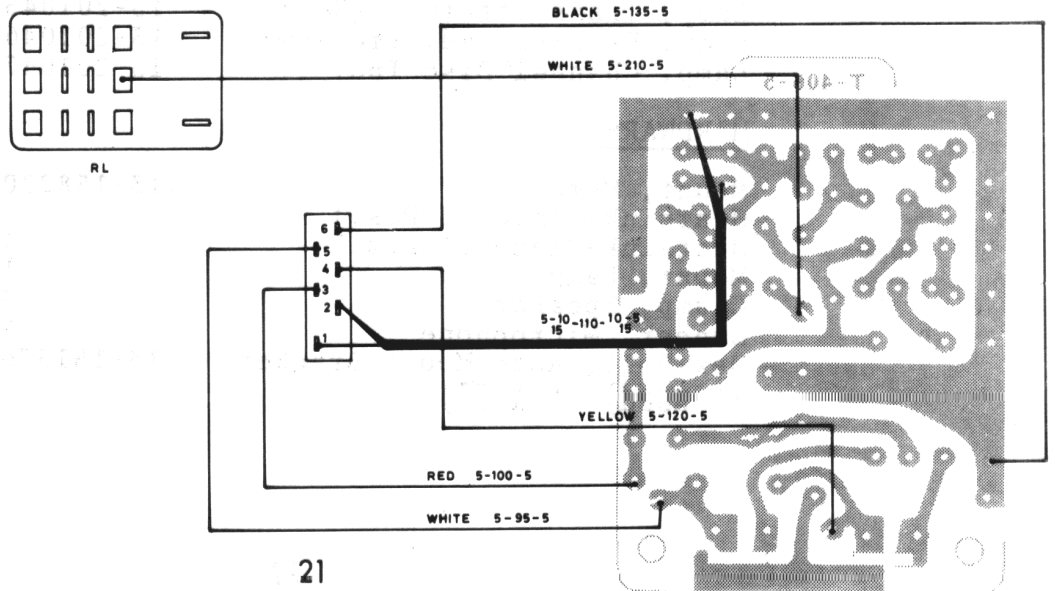
The site is supported with donations from users, friends and selling of the Galaxy Service Manual CD to cover some of the costs of having this website on the Internet instead of relying on banner ads, pop-up ads, commercial links, etc. to pay my costs. Thus I do not accept advertising banners or pop-up/pop-under advertising or other marketing/sales links or gimmicks on my website.

ALL the money from donations is used for CBTricks.com I didn't do all the work to make money (I have a day job). I all didn't do all this work for someone else to make money also, for example the ebay CD sellers.

All Trademarks, Logos, and Brand Names are the property of their respective owners.
This information is not provided by, or affiliated in any way with any radio or antenna Manufacturers.
Thank you for any support you can give.



WIRING DIAG.



PARTS LIST

<u>REF. NO.</u>	<u>DESCRIPTION</u>	<u>PART NO.</u>	<u>LIST PRICE</u>
<u>CABINET MATERIAL</u>			
	Panel, Front	13-010196	\$ 3.54
	Case, Top	13-010197	4.40
	Case, Bottom	13-013096	4.70
	Plate, Squelch/Vol./Clarifier/ Mode Trim	13-020500	1.44
	Plate, Name/Feature	13-020501	.74
	Plate, FCC/Model No.	13-023147	.46
	Knob, Channel (L/Channel Disc)	13-115053	.74
	Disc, Channel Number	13-115080	1.44
	Knob, Clarifier/Mode/Volume/ Squelch	13-110126	.74
	Mount-Bracket, Auto	13-158269	2.54
	Plate, Microphone Name	13-020502	.46
<u>MISCELLANEOUS</u>			
	Microphone	13-038048	12.62
	Speaker	13-060086	2.54
	Meter/S/RF	13-200044	8.64
	Relay	13-105018	9.72
	Connector, Microphone (On Cab. Front)	13-159127	4.40
	Plug, Microphone	13-159152	7.16
	Connector, Antenna	13-159123	1.44
	Jack, P.A./SP.	13-153092	.46
	Socket, DC Power	13-159151	2.72
	Socket, Relay	13-105019	2.30
	Holder, Fuse	13-159130	.46
	Fuse, 2 Amp	Purchase Locally	
	Lamp, Transmitt Ind. (Red)	13-201045	1.44
	Lamp, Receive Ind. (Yellow)	13-201046	1.44
	Lamp, Channel Disc Ind.	13-201047	1.44
<u>HARDWARE</u>			
	Mount, Meter	13-158270	.46
	Heatsink-Plate (2 Pcs.)	13-089083	.74
	Heatsink-Plate (1 Pcs.)	13-089084	.74
	Mount, Lamp	13-158271	.46
	Clamp, Speaker	13-158213	.74
	Hanger, Microphone	13-158217	1.44
	Hex-Bolt, Auto Mount Bracket (4 used) (6 X 10)	13-151376	.46

<u>REF. NO.</u>	<u>DESCRIPTION</u>	<u>PART NO.</u>	<u>LIST PRICE</u>
<u>SWITCHES AND CONTROLS</u>			
S3-3,S1	Switch, PA-CB1 Noise Blanker	13-183148	\$ 1.44
S2	Switch, Mode (AM/USB/LSB)	13-180077	3.28
S5	Switch, Channel Selector	13-180078	9.94
VR1	Control, Clarifier (5K-10K ohm)	13-166045	3.54
VR6	Control, Squelch (10K ohm)	13-166046	1.44
VR7	Control, Volume (w/On-Off Sw.) (10K ohm)	13-160091	2.30
<u>SENSITIVITY CONTROLS</u>			
VR3,12	10K ohm (2 terminal)	13-164087	.74
VR2,4,5	20K ohm (2 terminal)	13-164094	.46
VR9	5K ohm (2 terminal)	13-164091	.74
VR10	200 ohm (2 terminal)	13-164095	.46
VR11	50K ohm (3 terminal)	13-164096	.74
<u>FILTERS</u>			
LF-B6	Ceramic	13-179026	4.20
Xtal Filter	Crystal	13-179034	53.84
<u>WIRE-IN TYPE CRYSTALS</u>			
	14.907 MHz	13-128275	7.04
	14.917 MHz	13-128276	7.04
	14.927 MHz	13-128277	7.04
	14.947 MHz	13-128278	7.04
	14.904 MHz	13-128279	7.04
	14.914 MHz	13-128280	7.04
	14.924 MHz	13-128281	7.04
	14.944 MHz	13-128282	7.04
	7776.6	13-128283	7.04
	7793.3	13-128284	7.04
	7810.0	13-128285	7.04
	7826.6	13-128286	7.04
	7843.3	13-128287	7.04
	7860.0	13-128288	7.04
	11.272 MHz	13-128289	7.04
	11.275 MHz	13-128290	7.04
<u>TRIMMERS</u>			
CT1-17	20PF	13-123041	1.44 ea.
<u>COILS AND TRANSFORMERS</u>			
L1,2,3,4,5, 7,16	100uH	13-178146	.74
L6	3.3 uH	13-178147	.74
L8	Coil	13-090271	1.66
L9,12,14	Coil	13-090272	.74

<u>REF. NO.</u>	<u>DESCRIPTION</u>	<u>PART NO.</u>	<u>LIST PRICE</u>
L10	Coil	13-178115	\$.74
L11,13	Coil	13-090273	.74
L15	Coil	13-090274	.74
T1	Coil	13-176320	.96
T2	Coil	13-090233	.96
T3-7,16, 17,21	Coil	13-090275	1.44
T8	Coil	13-090231	.74
T9	Coil	13-090232	.74
T10,11	Coil	13-090276	1.90
T12	Coil	13-090277	1.90
T13,14,15	Coil	13-090278	1.90
T18	Coil	13-090279	1.66
T19	Coil	13-090280	1.90
T20	Choke	13-178148	.96
ETT4009	Transformer, Input	13-096147	1.66
ETT1001	Transformer, Input	13-096129	.96
ETT4011	Transformer, Choke	13-178149	1.66
ETT4010	Transformer, Modulation	13-096148	2.72

TRANSISTORS

TR1,2	2SC535	09-302006	2.40
TR3,7	2SK30	09-305021	4.90
TR4,5,6,10, 11,15,16, 17,18,19, 20,29,30, 31,32	2SC710	09-302012	2.40
TR8,9,12, 13,22,23, 25	2SC372	09-302039	2.10
TR14,21	2SC732	09-302127	1.70
TR24,26	2SC735	09-302040	2.44
TR27,28	2SC1173	09-302164	2.54
TR33	2SC1237	09-302192	7.70
TR34	2SC1377	09-302193	14.90

DIODES

D1,2,7,8,9, 10,11,12, 16,18,19, 20,23,25, 26,27,29, 30,47-49, 51-56	WG1010	09-306161	.46
D3,4,13,14, 17,21,22, 31-34,39- 42	1N60	09-306019	.60
D5,6	1S1007	09-306148	.60
D15	1S2075K	09-306212	.74

<u>REF. NO.</u>	<u>DESCRIPTION</u>	<u>PART NO.</u>	<u>LIST PRICE</u>
D24	1S352	09-306039	\$.80
D35,36,37	EQB01-09	09-306287	1.90
D38,50	SR1K-2	09-306160	.46
D43-46	MC301	09-306288	1.90
D56	ZF43	09-306289	1.66
TH1	Thermistor, D21A	09-307022	.46

RESISTORS

ALL RESISTORS NOT SHOWN ON THIS PARTS LIST ARE CARBON TYPE, 1/8 - 1/4 WATT. FOR SPECIFIC VALUES CONSULT SCHEMATIC DIAGRAM.

SOLID TYPE, 1/4 WATT

R116,117	47 ohm	77-201470	.26
R119	33 ohm	77-201330	.26
R173	470 ohm	77-201471	.26

WIRE-WOUND, TYPE

R139	0.5 ohm, 1/2 watt	77-302508	.56
R140	3 ohm, 3 watts	77-306309	1.20

CAPACITORS

ALL CAPACITORS NOT FOUND ON THIS PARTS LIST ARE MYLAR, 50 WV. FOR SPECIFIC VALUES CONSULT SCHEMATIC DIAGRAM.

ELECTROLYTIC TYPE

C11,41,49, 132	10uF,10V	77-336106	.74
C40,131	4.7 uF,16V	77-337475	.96
C42,44,45, 46,48,127, 129,157	1uF,16V	77-337105	.96
C47,50,124, 138,141	47uF,6.3V	77-332476	.74
C63,128,137, 151	100uF,16V	77-337107	.96
C64,120,125	47uF,16V	77-337476	.96
C123,130	10uF,16V	77-337106	.96
C145	1,000uF,16V	77-337108	.96
C133	Non-Polarized Elect., 1uF,50V	78-251105	.64

MICA TYPE, 50WV

C3	20PF	78-551200	.30
C6,20,83, 110,160	10PF	78-551100	.30
C9	5PF	78-551509	.30
C17,82,105, 106,169	51PF	78-551510	.30

<u>REF. NO.</u>	<u>DESCRIPTION</u>	<u>PART NO.</u>	<u>LIST PRICE</u>
C19,79	200)F	78-551201	\$.30
C27,87-94, 147	30PF	78-551300	.30
C28,34,73, 95,140	500PF	78-551501	.30
C29	100PF	78-551101	.30
C36	30PF	78-551300	.30
C65	5PF	78-551509	.30
C67-72	47PF	78-551470	.30
C74,96,168	150PF	78-551151	.30
C76	2PF	78-551209	.30
C77,78,162	39PF	78-551390	.30
C84,111	15PF	78-551150	.30
C107	510PF	78-551511	.30
C108,166	100PF	78-551101	.30
C159	1PF	78-551109	.30
C115,146	10PF	78-551100	.30
C161	24PF	78-551240	.30
C163,164, 175	120PF	78-551121	.30
C165	82PF	78-551820	.30
C178	300PF	78-551301	.30

TANTALUM TYPE

C62,119,122	1uF,10V	13-131017	.96
-------------	---------	-----------	-----

STYROL TYPE

C30	1,000PF,50V	78-351102	.76
-----	-------------	-----------	-----

HOW AND WHERE TO ORDER REPLACEMENT PARTS

NOTE: To eliminate error and speed delivery of replacement parts, always include the following information on your order:

1. Complete identification of merchandise for which the part is wanted.

- A. Name Item
- B. Model Number
- C. Serial Number

2. Best possible identification of the part itself.

- A. Part Number
- B. Part Name
- C. Quantity
- D. If necessary, return old part as sample.

3. Customer should use address listed below when ordering replacement parts.

MIDLAND ELECTRONICS COMPANY
 Parts Department
 110 West 12th Street
 North Kansas City, Missouri 64116