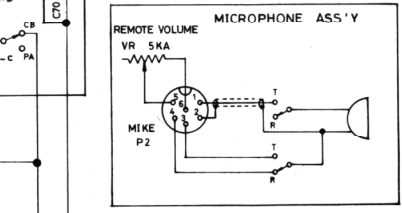
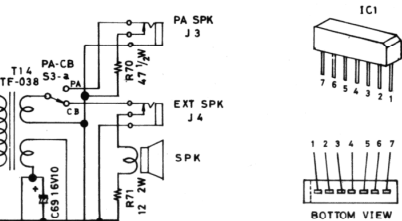
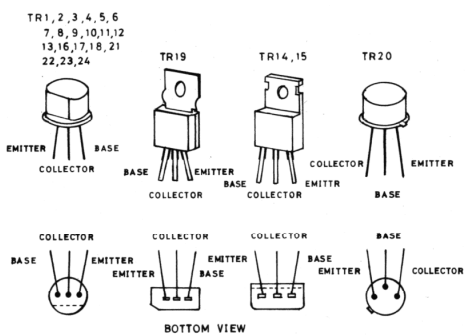
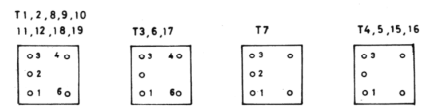
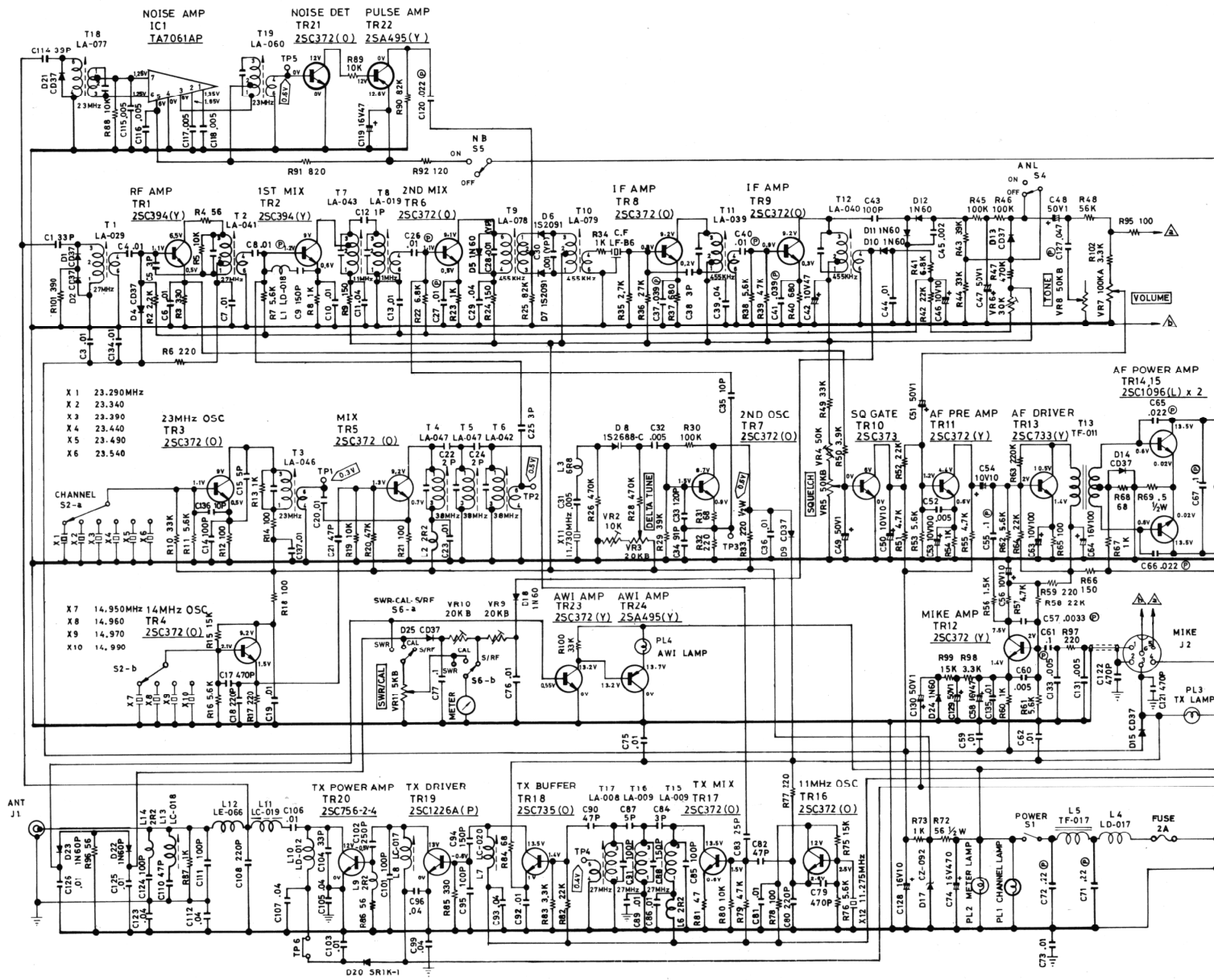


MODEL 13-883 SCHEMATIC DIAGRAM



RF RMS VOLTS

