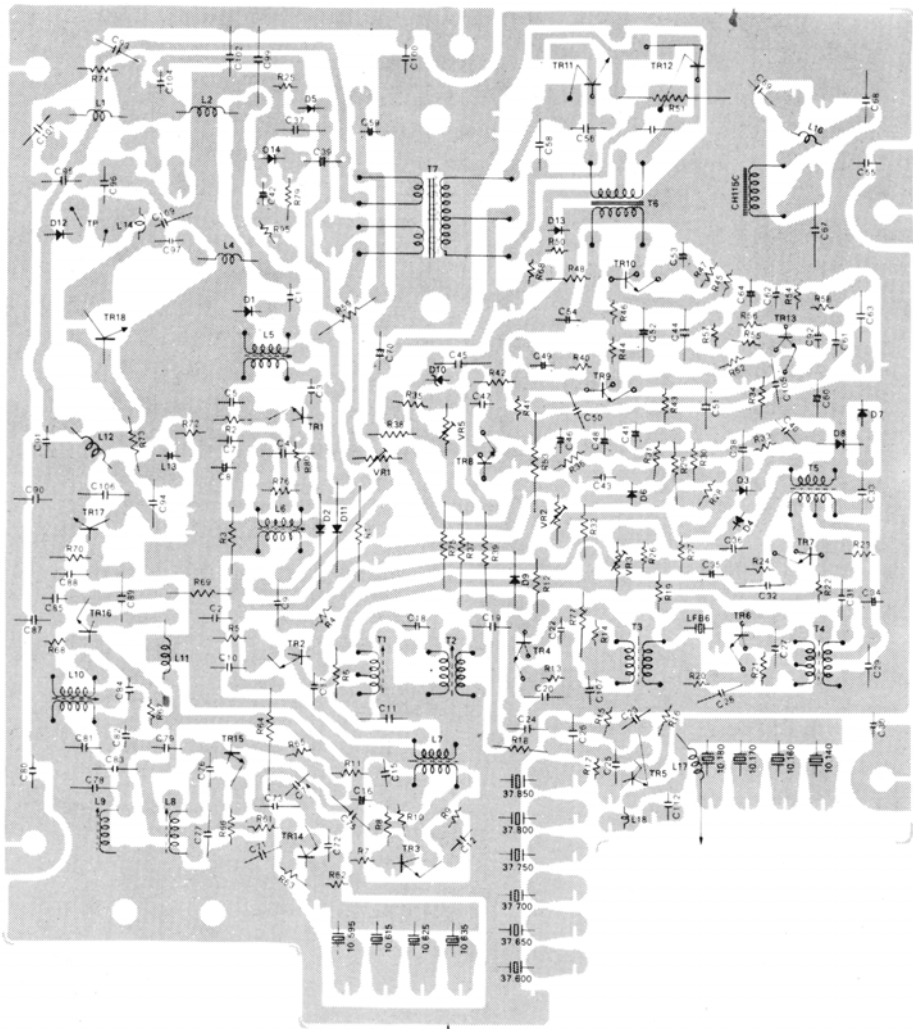
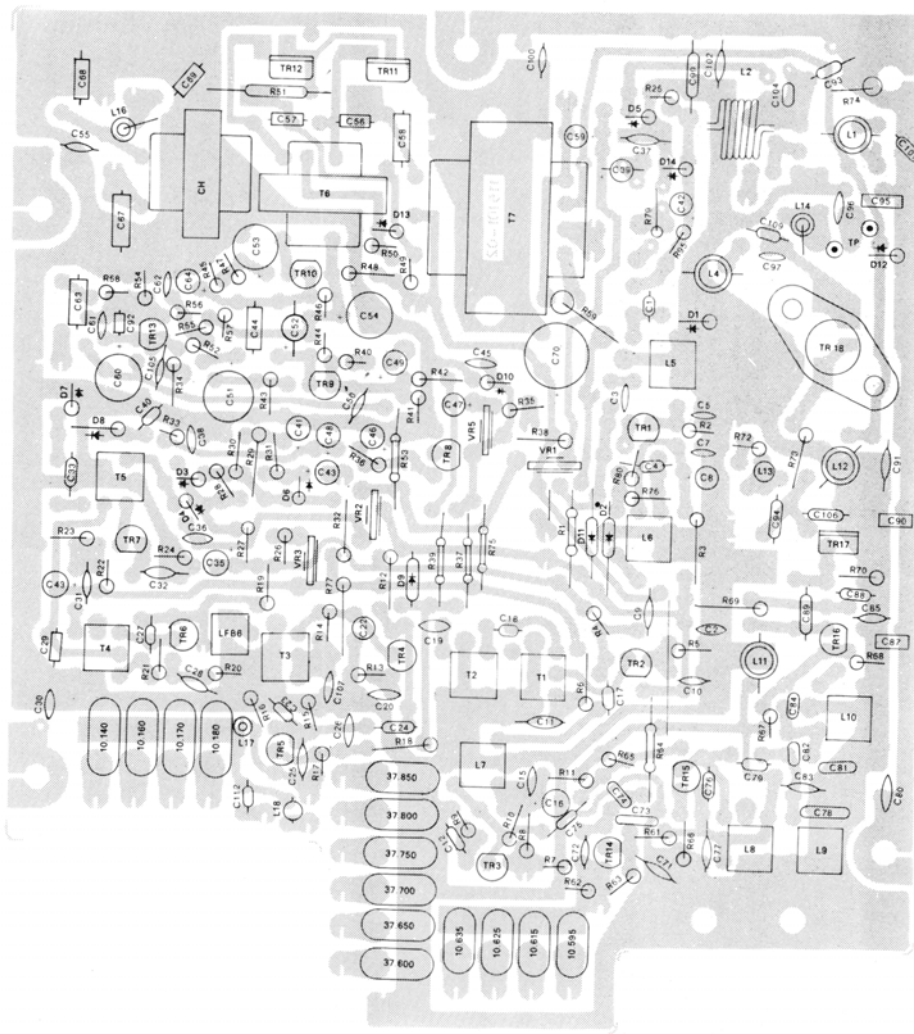


MODEL 13-867 PARTS LAYOUT

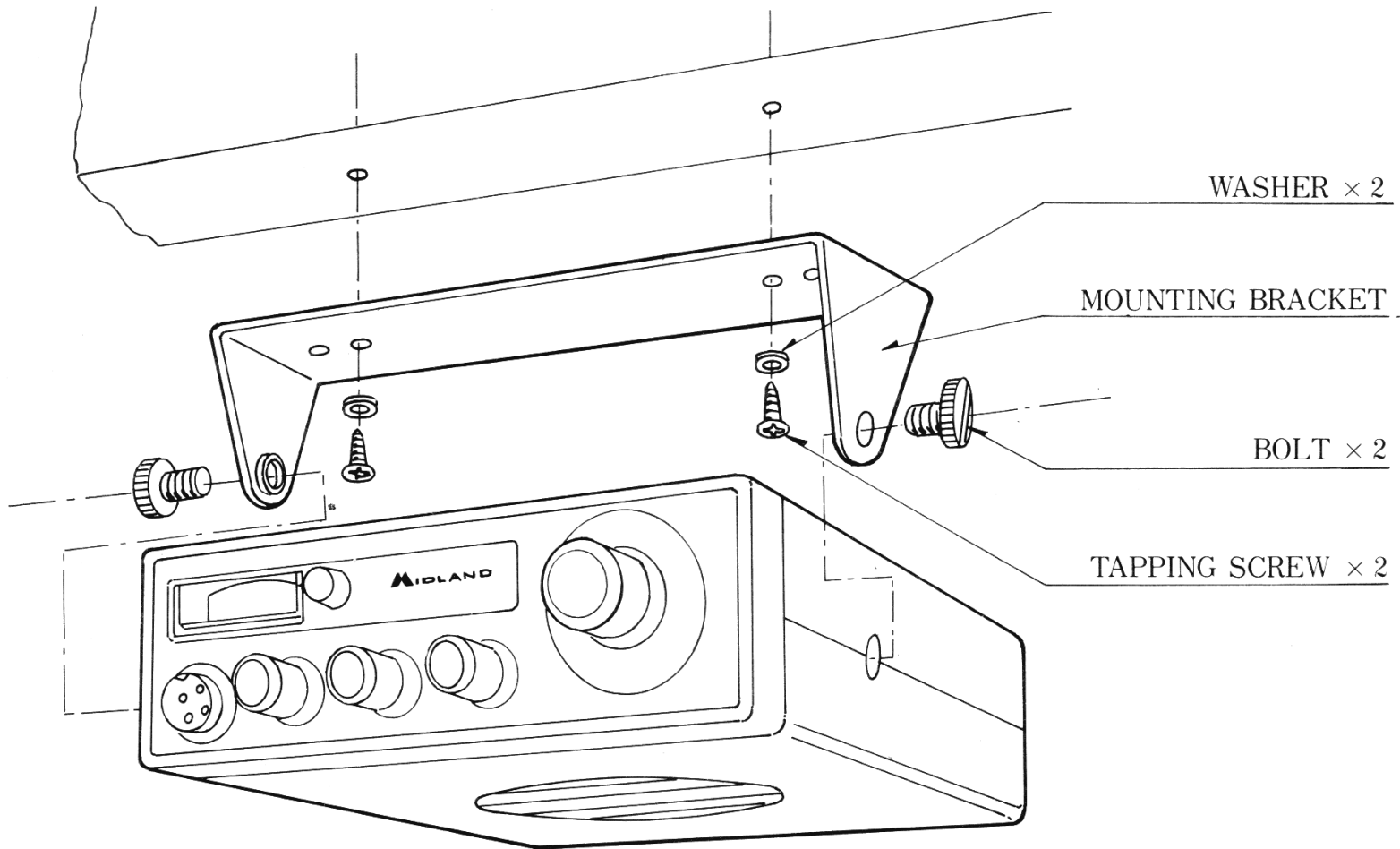
BACK VIEW



FRONT VIEW



MOUNTING INSTRUCTIONS



SPECIFICATIONS FOR 13-867

Circuitry : 17-transistor, 1 squelch transistor
and 14-diode.

Receiver Section :

Sensitivity at 10 db S/N	:	0.4 μ V
Image Rejection Ratio	:	50 db
1st IF Rejection Ratio at 10.635 MHz	:	55 db
2nd IF Rejection Ratio at 455 KHz	:	100 db
Squelch sensitivity at maximum	:	500 μ V
Squelch sensitivity at threshold	:	0.3 μ V
A.G.C. (input 5,000 μ V, output 10 db down)	:	90 db
IF Response at 6 db down bandwidth	:	5 KHz
Adjacent channel selectivity	:	60 db
Audio output power at maximum (input 60 db)	:	4W
Audio output power at 10% distortion	:	3W
Distortion at input 60 db	:	5%
Audio fidelity at 1,000 Hz 0 db (6 db down)	:	350–2,000 Hz
Current drain at no signal	:	200 mA
Current drain at maximum output power	:	800 mA

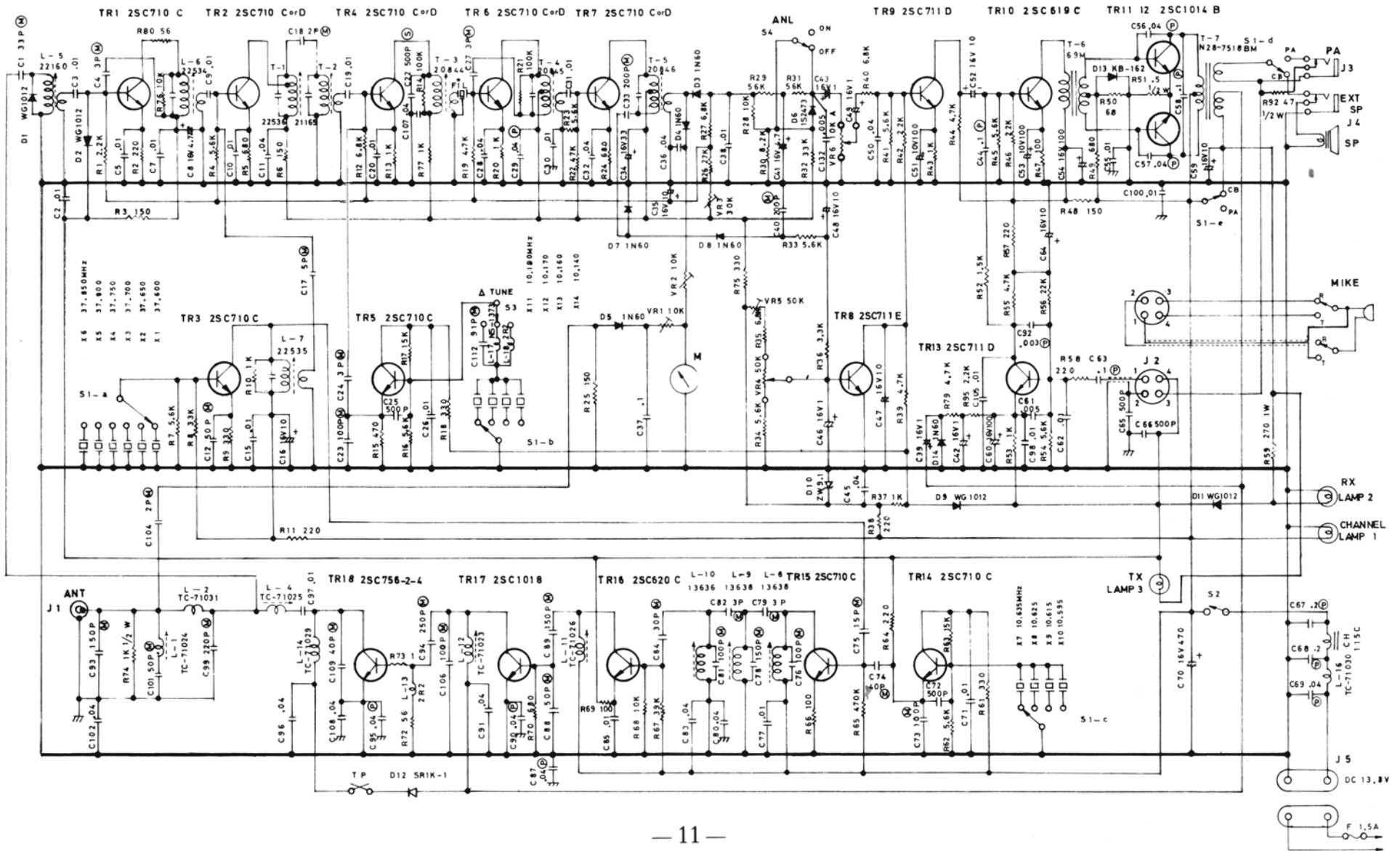
Transmitter Section :

RF output power	:	3W
Modulation capability	:	90%
Frequency tolerance	:	0.003%
Spurious ratio	:	55 db
Current drain at no modulation	:	700 mA
Current drain at maximum modulation	:	1,300 mA

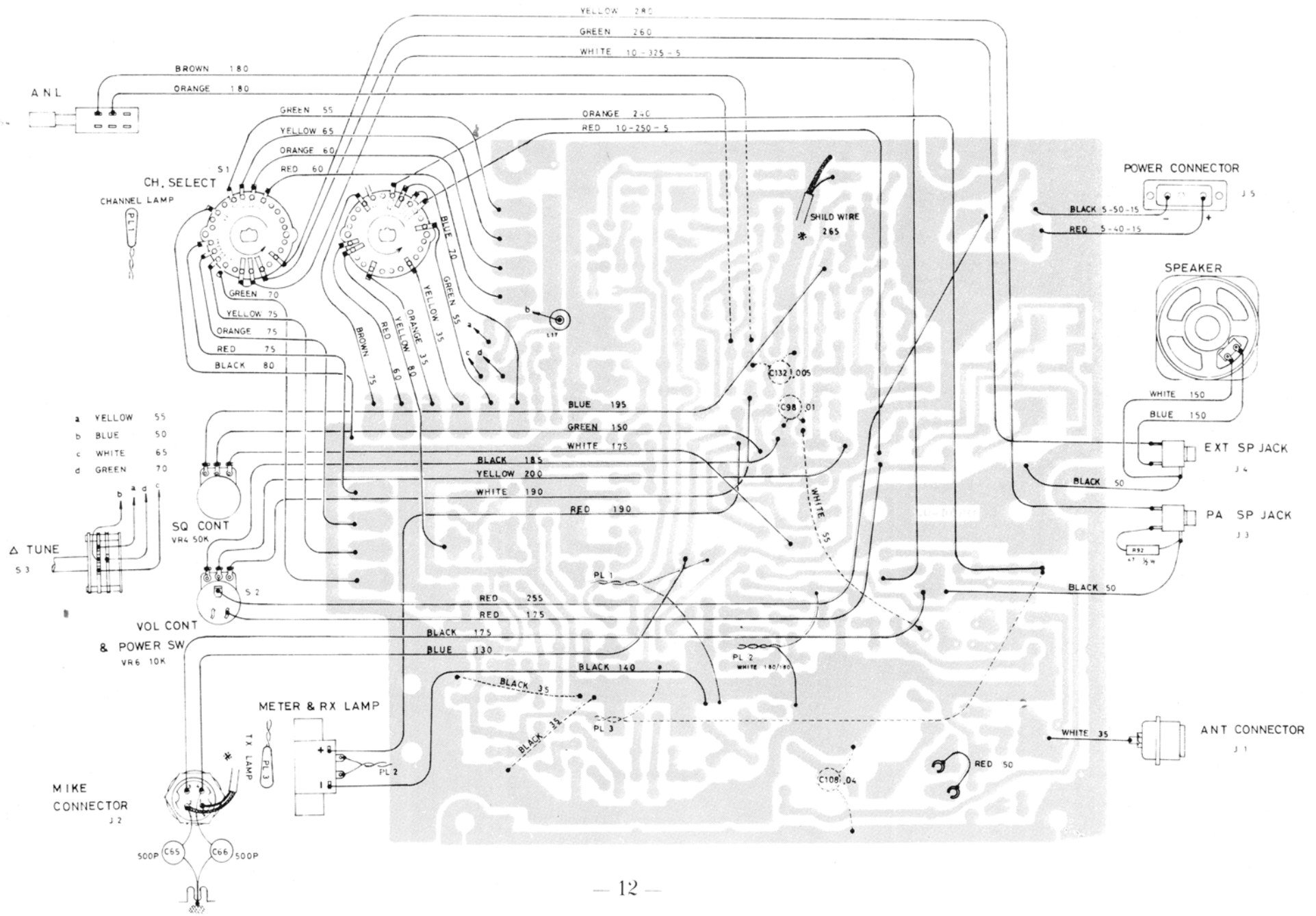
Measurement Condition :

Audio output power	:	0.5W
Audio output load	:	8 ohm
Modulation frequency	:	1,000 Hz
Modulation	:	30%
Antenna impedance	:	50 ohm
Power source	:	13.8V DC

MODEL 13-867 SCHEMATIC DIAGRAM



WIRING DIAGRAM



CRYSTAL FREQUENCY CHART

XTAL	CHANNEL																						
MASTER	1	2	3	4	5	6	7	8	9	10	11	12	13	14	15	16	17	18	19	20	21	22	23
37. 600	○	○	○	○																			
37. 650					○	○	○	○															
37. 700									○	○	○	○											
37. 750													○	○	○	○							
37. 800																	○	○	○	○			
37. 850																					○	○	○
XMTR																							
10. 595				○				○				○				○				○			○
10. 615			○				○				○				○				○				
10. 625		○			○	○				○				○				○				○	
10. 635	○				○				○				○				○				○		
RCVR																							
10. 140				○				○				○				○				○			○
10. 160			○				○				○				○				○				
10. 170		○				○				○				○				○				○	
10. 180	○				○				○				○				○				○		

WARRANTY POLICY

Midland Electronics Company warrants each new Midland product to be free from defects in material and workmanship under normal use and service for a period of 90 days after delivery to the ultimate user and will replace or repair the product at our option, at no charge should it become defective and which our examination shall disclose to be defective and under warranty.

This warranty shall not apply to any Midland product which has been subject to misuse, neglect, accident, incorrect wiring not of our own installation, or to use in violation or instructions furnished by us, nor extended to units which have been repaired or altered outside of our factory.

This warranty does not cover carrying cases, earphones, batteries, antenna, broken or cracked cabinets, or any other accessory used in connection with this product.

This warranty is in lieu of all other warranties expressed or implied and no representative or person is authorized to assume for us any other liability in connection with the sale of our products.

Sales receipt must accompany product to validate the date of purchase.

MIDLAND ELECTRONICS COMPANY

1909 Vernon Street

North Kansas City, Missouri 64116

Copyright 1972 Midland Electronics Co.,
North Kansas City, Mo. 64116 U.S.A.

Made Exclusively for Midland Electronics Company in Japan