

This Manual is provided by
CBTricks.com

Someone who wanted to help you repair your equipment
scanned this manual.

If you would like to help us put more manuals online support us.

Supporters of CBTricks.com paid for the hosting so you would have this file.

CBTricks.com is a non-commercial personal website was created to help promote the exchange of service, modification, technically oriented information, and historical information aimed at the Citizens Band, GMRS (CB "A" Band), MURS, Amateur Radios and RF Amps.

CBTricks.com is not sponsored by or connected to any Retailer, Radio, Antenna Manufacturer or Amp Manufacturer, or affiliated with any site links shown in the links database. The use of product or company names on my web site is not endorsement of that product or company.

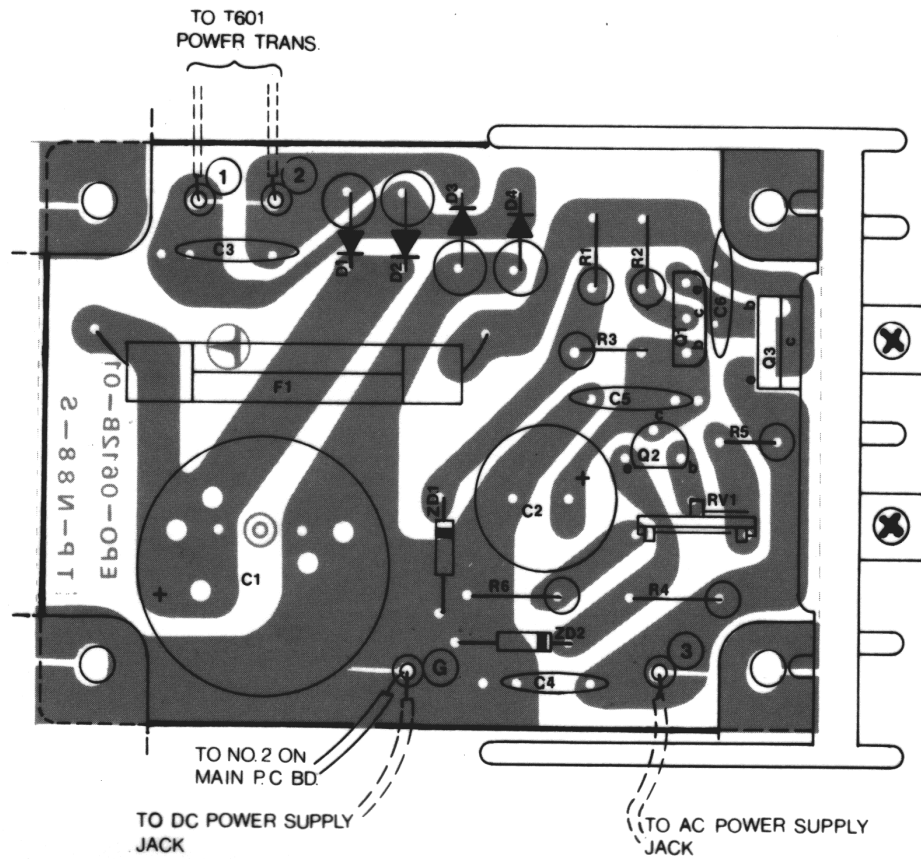
If your company would like to provide technical information to be featured on this site I will put up on the site as long as I can do it in a non-commercial way.

The site is supported with donation from users, friends and selling of the Galaxy Service Manual CD to cover some of the costs of having this website on the Internet instead of relying on banner ads, pop-up ads, commercial links, etc. to pay my costs. Thus I do not accept advertising banners or pop-up/pop-under advertising or other marketing/sales links or gimmicks on my website.

ALL the money from donations is used for CBTricks.com I didn't do all the work to make money (I have a day job). I all didn't do all this work for someone else to make money also, for example the ebay CD sellers.

All Trademarks, Logos, and Brand Names are the property of their respective owners.
This information is not provided by, or affiliated in any way with any radio or antenna Manufacturers.
Thank you for any support you can give.

Component Outline Power Supply P.C. Board, Model 3084



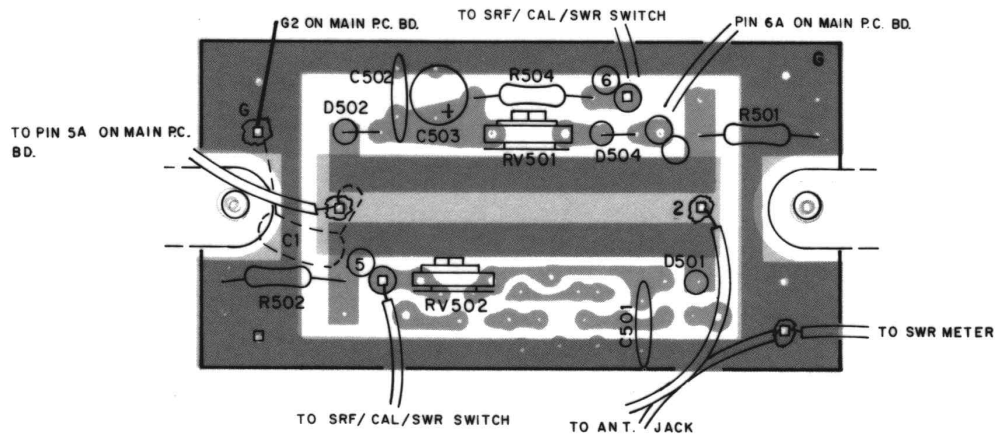
NOTES:

1. P.C. Board shown as viewed from component side.
2. Dashed outline component mounted on foil side.

Figure 4-2. Component Outline Power Supply P.C. Board



Component Outline, SWR P.C. Board, Model 3084

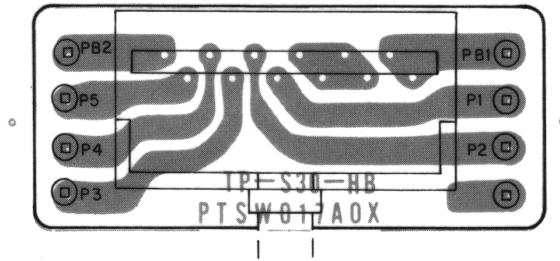
**NOTES:**

1. Double sided board. Examine radio to determine upper and lower sides.
2. P.C. Board shown as viewed from upper side.
3. Dashed outline component - mounted on under side.

Figure 4-3. Component Outline SWR P.C. Board



Channel Select Switch P.C. Board, Model 3084



NOTES:

1. P.C. Board shown as viewed from component side.
2. Pin numbers on this board correspond to same pin numbers on the main P.C. Board.

Figure 4-4. Component Outline Channel Select Switch P.C. Board

Parts List

Main P.C. Board

Reference Designator	Description	Part No.
	main p.c. board, complete	AP-TBM038AT
	main p.c. board, plated and drilled	PT-BM038COX
C101	18pF, 50V, ceramic disc	CC-CB180KCM
C102	22pF, 50V, ceramic disc	CC-CB220KOM
C103	1pF, 50V, ceramic disc	CC-CB010CCM
C104	10uF, 16V, electrolytic	CE-ED100ALN
C105	(not used)	
C106	10pF, 50V, ceramic disc	CC-CB100DOM
C107	.01uF, 50V, ceramic disc	CK-CB103PEM
C108	330pF, 50V, ceramic disc	CC-CB331KOM
C109	330pF, 50V, ceramic disc	CC-CB331KOM
C110	.001uF, 50V, mylar	CQ-MB102KCH
C111	.01uF, 50V, mylar	CQ-MB103KCH
C112	39pF, 50V, ceramic disc	CC-CB390KOM
C113	.22uF, 50V, electrolytic	CE-EGR22ZMN
C114	10uF, 16V, electrolytic	CE-ED100ZMN
C115	.1uF, 50V, electrolytic	CE-EGR10ZMN
C116	15pF, 50V, ceramic disc	CC-CB150KOM
C117	.01uF, 50V, mylar	CQ-MB103KCH
C118	39pF, 50V, ceramic disc	CC-CB390KPM
C119	(not used)	
C120	560pF, 50V, ceramic disc	CK-CB561KBM
C121	100pF, 50V, ceramic disc	CC-CB101KPM
C122	15pF, 50V, ceramic disc	CC-CB150KOM
C123	.01uF, 50V, ceramic disc	CK-CB103PEM
C124	100pF, 500V, mica	CM-SD101KCS
C125	33pF, 50V, ceramic disc	CC-CB330KOM
C126	12pF, 50V, ceramic disc	CC-CB120KPM
C127	56pF, 50V, ceramic disc	CC-CB560KPM
C128	(not used)	
C129	560pF, 50V, ceramic disc	CK-CB561KBM
C130	82pF, 50V, ceramic disc	CC-CB820KPM
C131	.01uF, 50V, ceramic disc	CK-CB103PEM
C132	560pF, 50V, mylar	CQ-MB561KCH
C133	.01uF, 50V, ceramic disc	CK-CB103PEM
C134	(not used)	
C135	10uF, 16V, electrolytic	CE-ED100ALN
C136	220pF, 50V, ceramic disc	CC-CB221KOM
C137	.01uF, 50V, ceramic disc	CK-CB103PEM
C138	.01uF, 50V, ceramic disc	CK-CB103PEM
C139	2pF, 50V, ceramic disc	CC-CB020COM
C140	2pF, 50V, ceramic disc	CC-CB020COM
C141	68pF, 50V, ceramic disc	CC-CB680KOM
C142	.01uF, 50V, ceramic disc	CK-CB103PEM
C143	100pF, 50V, ceramic disc	CC-CB101KPM
C144	.01uF, 50V, ceramic disc	CK-CB103PEM
C145	.01uF, 50V, ceramic disc	CK-CB103PEM
C146	470pF, 50V, ceramic disc	CK-CB471KBM
C147	.01uF, 50V, ceramic disc	CK-CB103PEM
C148	120pF, 50V, ceramic disc	CC-CB121KOM
C149	220pF, 50V, ceramic disc	CC-CB221KOM
C150	.01uF, 50V, ceramic disc	CK-CB103PEM
C151	100pF, 500V, mica	CM-SD101KCS
C152	270pF, 500V, mica	CM-SD271KCS
C153	82pF, 50V, ceramic disc	CC-CB820KOM
C154	27pF, 50V, ceramic disc	CC-CB270KOM
C155	.047uF, 50V, ceramic disc	CK-CB473ZFM
C156	.01uF, 50V, ceramic disc	CK-CB103PEM
C157	.01uF, 50V, ceramic disc	CK-CB103PEM

Reference Designator	Description	Part No.
C158	(not used)	
C159	.047uF, 50V, ceramic disc	CK-CB473ZFM
C160	.047uF, 50V, mylar	CQ-MB473KCH
C161	.01uF, 50V, ceramic disc	CK-CB103PEM
C162	33pF, 50V, ceramic disc	CC-CB330KPM
C163	.01uF, 50V, ceramic disc	CK-CB103PEM
C164	2pF, 50V, ceramic disc	CC-CB020COM
C165	.01uF, 50V, ceramic disc	CK-CB103PEM
C166	10pF, 50V, ceramic disc	CC-CB100DOM
C167	(not used)	
C168	2.2pF, 500V, ceramic disc	CG-2H2RKNN
C169	.047uF, 50V, mylar	CQ-MB473KCH
C170	.047uF, 50V, mylar	CQ-MB473KCH
C171	.047uF, 50V, mylar	CQ-MB473KCH
C172	.047uF, 50V, ceramic disc	CQ-MB473KCH
C173	.047uF, 50V, ceramic disc	CQ-MB473KCH
C174	3.3uF, 25V, electrolytic	CE-EE3R3ALN
C175	.0047uF, 50V, mylar	CQ-MB472KCH
C176	1uF, 50V, electrolytic	CE-EG010ALN
C177	.0022uF, 50V, mylar	CQ-MB222KCH
C178	56pF, 50V, ceramic disc	CC-CB560KPM
C179	(not used)	
C180	560pF, 50V, ceramic disc	CK-CB561KBM
C181	100pF, 50V, ceramic disc	CC-CB101KOM
C182	68pF, 50V, ceramic disc	CC-CB680KPM
C183	10uF, 16V, electrolytic	CE-ED100ALN
C184	.022uF, 50V, mylar	CQ-MB223KCH
C185	10uF, 16V, electrolytic	CE-ED100ALN
C186	(not used)	
C187	(not used)	
C188	(not used)	
C189	.0022uF, 50V, ceramic disc	CK-RB223PZM
C190	.01uF, 50V, ceramic disc	CK-CB103PEM
C191	.022uF, 50V, mylar	CQ-MB223KCH
C192	150pF, 50V, ceramic disc	CC-CB151KOM
C193	.01uF, 50V, mylar	CQ-MB103KCH
C194	.01uF, 50V, ceramic disc	CK-CB103PEM
C195	390pF, 50V, ceramic disc	CK-CB391KBM
C196	5.6uF, 25V tanatalum	CS-SE5R6MDN
C197	33uF, 6.3V, electrolytic	CE-EB330ALN
C198	68pF, 50V, ceramic disc	CC-CB680KOM
C199	68pF, 50V, ceramic disc	CC-CB680KOM
C200	390pF, 50V, ceramic disc	CK-CB391KBM
C201	.068uF, 50V, mylar	CQ-MB683KCH
C202	.022uF, 50V, mylar	CQ-MB223KCH
C203	47uF, 16V, electrolytic	CE-ED470ALN
C204	220uF, 16V, electrolytic	CE-AD221ZLS
C205	.068uF, 50V, mylar	CQ-MB683KCH
C206	(not used)	
C207	33uF, 6.3V, electrolytic	CE-EB330ALN
C208	10uF, 16V, electrolytic	CE-ED100ALN
C209	1uF, 50V, electrolytic	CE-EG010ALN
C210	1000uF, 16V, electrolytic	CE-ED102ZUN
C211	47uF, 25V, electrolytic	CE-AE470ZLS
C212	33uF, 6.3V, electrolytic	CE-EB330ALN
C213	.01uF, 50V, ceramic disc	CK-CB103PEM
C214	.01uF, 50V, ceramic disc	CK-CB103PEM
C215	.01uF, 50V, ceramic disc	CK-CB103PEM
C216	.01uF, 50V, ceramic disc	CK-CB103PEM
C217	.047uF, 50V, ceramic disc	CK-CB473ZFM
C218	.047uF, 50V, ceramic disc	CK-CB473ZFM
C219	.047uF, 50V, ceramic disc	CK-CB473ZFM
C220	.047uF, 50V, ceramic disc	CK-CB473ZFM
C221	(not used)	
C222	4.7uF, 25V, electrolytic	CE-EE4T7ZMN

Reference Designator	Description	Part No.
C223	39pF, 50V, ceramic disc	CC-CB390KOM
C224	.01uF, 50V, ceramic disc	CK-CB103PEM
C225		
through		
C241	(not used)	
C242	1uF, 50V, electrolytic	CE-EG010ALN
C243	100pF, 50V, ceramic disc	CC-CB101KOM
C244	.047uF, 50V, ceramic disc	CK-CB473ZFM
CF101	ceramic filter	FB-R455A08M
CH101	choke coil	LJ-119H001Y
CT101	20pF, trimmer capacitor	CT-Z7200H01
D101	ITT410, silicon	QD-CTT410XQ
D102	MZ205, zener	QD-ZMZ205XE
D103	RD9.1E, silicon, zener	QD-ZRD9EXAA
D104	1S1885, silicon	QD-SS1885XT
D105	V06C, silicon	QD-SV06CXXB
D106	1S1555, silicon	QD-SS1555XT
D107	1S1555, silicon	QD-SS1555XT
D108	1S1555, silicon	QD-SS1555XT
D109	1N60, germanium	QD-G1N60XXT
D110	1N60, germanium	QD-G1N60XXT
D111	1N60, germanium	QD-G1N60XXT
IC101	PLC02A	QQ-OPLL02A0
IC102	(TOYO DENGU) BA 521	QQ-MBA521AX
L101	rf coil	LF-220KD01N
L102	(not used)	
L103	rf coil	TR-10CD004S
L104	rf coil	TR-10CD005S
L105	rf coil	LF-2R2KD01N
L106	rf coil	TR-A5CZ001M
L107	rf coil	LF-680KD01N
L108	rf coil	LD-ADX3825M
L109	rf coil	TR-A5CZ002M
L110	rf coil	TR-A5CZ003M
L111	rf coil	LF-680KD01N
L112	rf coil	TR-07MB008N
L113	rf coil	LD-ADB402B
L114	rf coil	LD-ADB4024B
L115	rf coil	
L115	(not used)	
L116	rf coil	LA-1KE1011A
Q101	(MITSUBISHI) 2SC710(D)	QT-C0710XBE
Q102	(MITSUBISHI) 2SC710(D)	QT-C0710XBE
Q103	(NEC) 2SC829(D)	QT-C0829XDN
Q104	(MITSUBISHI) 2SC710(D)	QT-C0710XBE
Q105	(MITSUBISHI) 2SC710(D)	QT-C0710XBE
Q106	(MATSUSHITA) 2SC1318(Q)	QT-C1318XAN
Q107	2SA719(Q)	QT-A0719XAN
Q108	2SC1359(B)	QT-C1359XAN
Q109	(MITSUBISHI) 2SC710(D)	QT-C0710XBE
Q110	(MITSUBISHI) 2SC710(D)	QT-C0710XBE
Q111	2SC1687	QT-C1687XAN
Q112	(SONY) 2SC1760-3	QT-C1760XAS
Q113	(NEC) 2SC1306	QT-C1306XZA
Q114	2SC1047(B)	QT-C1047XAN
Q115	2SC1359(B)	QT-C1359XAN
Q116	(NEC) 2SC829(C)	QT-C0829XBN
Q117	(MITSUBISHI) 2SC710(D)	QT-C0710XBE

Reference Designator	Description	Part No.
Q118	2SC829(C).....	QT-C0829XBN
Q119	(NEC) 2SC829(C)	QT-C0829XBN
Q120	2SC372(Y)	QT-C0372XAT
Q121	2SC828P.Q	QT-C0828XDN
Q122	2SC828(P).....	QT-C0828XAN
R101	100,5%, ¼w, carbon film	RD-25RJ101D
R102	100k,5%, ¼w, carbon film	RD-25RJ104D
R103	1.5k,5%, ¼w, carbon film	RD-25RJ152D
R104	1.5k,5%, ¼w, carbon film	RD-25RJ152D
R105	220k,5%, ¼w, carbon film	RD-25RJ224D
R106	1.5k,5%, ¼w, carbon film	RD-25RJ152D
R107	100k,5%, ¼w, carbon film	RD-25RJ104D
R108	1.5k,5%, ¼w, carbon film	RD-25RJ152D
R109	100k,5%, ¼w, carbon film	RD-25RJ104D
R110	2.2k,5%, ¼w, carbon film	RD-25RJ222D
R111	1k,5%, ¼w, carbon film	RD-25RJ102D
R112	100k, 5%, ¼w, carbon film	RD-25RJ104D
R113	3.3k, 5%, ¼w, carbon film	RD-25RJ332D
R114	470, 5%, ¼w, carbon film	RD-25RJ471D
R115	22k, 5%, ¼w, carbon film	RD-25RJ223D
R116	470, 5%, ¼w, carbon film	RD-25RJ471D
R117	33k, 5%, ¼w, carbon film	RD-25RJ333D
R118	100, 5%, ½w, metal oxide	RG-HAPJ101B
R119	1.5k, 5%, ¼w, carbon film	RD-25RJ152D
R120	100k, 5%, ¼w, carbon film	RD-25RJ104D
R121	1k, 5%, ¼w, carbon film	RD-25RJ102D
R122	1k, 5%, ¼w, carbon film	RD-25RJ102D
R123	82k, 5%, ¼w, carbon film	RD-25RJ823D
R124	270, 5%, ¼w, carbon film	RD-25RJ271D
R125	10k, 5%, ¼w, carbon film	RD-25RJ103D
R126	(not used)	
R127	68k, 5%, ¼w, carbon film	RD-25RJ680D
R128	100, 5%, ¼w, carbon film	RD-25RJ101D
R129	220, 5%, ¼w, carbon film	RD-25RJ221D
R130	47, 5%, ¼w, carbon film	RD-25RJ470D
R131	10, 5%, ½w, metal oxide	RX-HAPJ100B
R132	47k, 5%, ¼w, carbon film	RD-25RJ473D
R133	1k, 5%, ¼w, carbon film	RD-25RJ102D
R134	680, 5%, ¼w, carbon film	RD-25RJ681D
R135	1.5k, 5%, ¼w, carbon film	RD-25RJ152D
R136	100, 5%, ¼w, carbon film	RD-25RJ101D
R137	1.8k, 5%, ¼w, carbon film	RD-25RJ182D
R138	1k, 5%, ¼w, carbon film	RD-25RJ102D
R139	470, 5%, ¼w, carbon film	RD-25RJ471D
R140	100k, 5%, ¼w, carbon film	RD-25RJ104D
R141	1k, 5%, ¼w, carbon film	RD-25RJ102D
R142	4.7k, 5%, ¼w, carbon film	RD-25RJ472D
R143	470, 5%, ¼w, carbon film	RD-25RJ471D
R144	47k, 5%, ¼w, carbon film	RD-25RJ473D
R145	220, 5%, ¼w, carbon film	RD-25RJ221D
R146	330, 5%, ¼w, carbon film	RD-25RJ331D
R147	1.5k, 5%, ¼w, carbon film	RD-25RJ152D
R148	27k, 5%, ¼w, carbon film	RD-25RJ273D
R149	220, 5%, ¼w, carbon film	RD-25RJ221D
R150	47, 5%, ¼w, carbon film	RD-25RJ470D
R151	22k, 5%, ¼w, carbon film	RD-25RJ223D
R152	270k, 5%, ¼w, carbon film	RD-25RJ274D
R153	47k, 5%, ¼w, carbon film	RD-25RJ473D
R154	68k, 5%, ¼w, carbon film	RD-25RJ683D
R155	33k, 5%, ¼w, carbon film	RD-25RJ333D
R156	47k, 5%, ¼w, carbon film	RD-25RJ473D
R157	(not used)	
R158	100k, 5%, ¼w, carbon film	RD-25RJ104D

Reference Designator	Description	Part No.
R159	1.5k, 5%, ¼w, carbon film	RD-25RJ152D
R160	1.5k, 5%, ¼w, carbon film	RD-25RJ152D
R161	22, 5%, ½w, metal oxide	RG-HAPJ220B
R162	1k, 5%, ¼w, carbon film	RD-25RJ102D
R163	390, 5%, ¼w, carbon film	RD-25RJ391D
R164	10k, 5%, ¼w, carbon film	RD-25RJ103D
R165	820, 5%, ¼w, carbon film	RD-25RJ821D
R166	3.3k, 5%, ¼w, carbon film	RD-25RJ332D
R167	27k, 5%, ¼w, carbon film	RD-25RJ273D
R168	3.3k, 5%, ¼w, carbon film	RD-25RJ332D
R169	220k, 5%, ¼w, carbon film	RD-25RJ224D
R170	22k, 5%, ¼w, carbon film	RD-25RJ223D
R171	150, 5%, ¼w, carbon film	RD-25RJ151D
R172	2.2k, 5%, ¼w, carbon film	RD-25RJ222D
R173	2.2k, 5%, ¼w, carbon film	RD-25RJ222D
R173	(not used)	
R174	10, 5%, ¼w, carbon film	RD-25RJ100D
R175	10k, 5%, ¼w, carbon film	RD-25RJ103D
R176	82, 5%, ¼w, carbon film	RD-25RJ820D
R177	270, 5%, ¼w, carbon film	RD-25RJ271D
R178	680, 5%, ¼w, carbon film	RD-25RJ681D
R179	22k, 5%, ¼w, carbon film	RD-25RJ223D
R180	1.8k, 5%, ¼w, carbon film	RD-25RJ182D
R181	18k, 5%, ¼w, carbon film	RD-25RJ183D
R182	100, 5%, ¼w, carbon film	RD-14VJ101D
R183	270, 5%, ¼w, carbon film	RG-HAPJ271B
R184	150, 5%, 1w, metal oxide	RG-1ANJ151N
R185	(not used)	
R186	10k, 5%, ¼w, carbon film	RD-25RJ103D
R187		
through		
R193	(not used)	
R194	15, 5%, 2w, metal oxide	RX-ANJ150N
R195	1.5k, 5%, ¼w, carbon film	RD-25RJ152D
R196		
through		
R202	(not used)	
R203	560, 5%, ¼w, carbon film	RD-14VJ561N
RV101	10k, potentiometer	RP-GNB10301
RV102	2k, potentiometer	RP-GNB20201
RV103	20k, potentiometer	RP-GNB20301
T101	rf coil	TR-10DA002T
T102	rf coil	TR-10CB001S
T103	rf coil	TR-10CP005S
R104	rf coil	TR-10MP003T
T105	rf coil	TR-10CA005S
T106	rf coil	TR-07MB008N
T107	i-f transformer	TR-07LA004N
T108	i-f transformer	TR-07LA005N
T109	i-f transformer	TR-07LA023N
T110	af transformer	TB-G25B002W
T111	i-f transformer	TR-10MB003T
X101	11.8066 MHz, crystal	XA-S1B4001N
X102	10.695 MHz crystal	XA-S1B3002N
X103	10.240 MHz crystal	XA-S1B3001N

Power Supply P.C. Board

Reference Designator	Description	Part No.
	power supply p.c. board, complete	AP-TPW005AA
	power supply p.c. board, plated and drilled	PT-PW005COX
C1	2200uF, 25V, electrolytic	CE-T1E22201
C2	100uF, 25V, electrolytic	CE-AE101ALN
C3	.022uF, 50V, ceramic disc	CK-RB223PZM
C4	.01uF, 50V, ceramic disc	CK-RB103PZM
C5	.047uF, 50V, ceramic disc	CK-RB473PMM
C6	.022uF, 50V, ceramic disc	CK-RB223PMM
D1	V06C, silicon	QD-SV06CXXB
D2	V06C, silicon	QD-SV06CXXB
D3	V06C, silicon	QD-SV06CXXB
D4	V06C, silicon	QD-SV06CXXB
F1	250V, 2.5A, fuse	ZF.AQ25201U
Q1	(NEC) 2SC900F	QT-C0900XBA
Q2	(NEC) 2SC900F	QT-C0900XBA
R1	220, 5%, 1/2w, solid carbon	RC-12GK221N
R2	47, 5%, 1/2w, solid carbon	RC-12GK470N
R3	100, 5%, 1/2w, solid carbon	RC-12GK101N
R4	820, 5%, 1/2w, solid carbon	RC-12GK821N
R5	1.2k, 5%, 1/2w, solid carbon	RC-12GK122N
R6	820, 5%, 1/2w, solid carbon	RC-12GK821N
RV1	500k, potentiometer	RP-ANB50101
ZD1	BZ-162, silicon, zener	QD-ZBZ162XJ
ZD2	RD5. 6E(c), silicon, zener	QD-ZRD56EAA
	cover, fuse	ZZ-Z0000004

SWR P.C. Board

Reference Designator	Description	Part No.
	swr p.c. board, complete	AP-TSR002BA
	swr p.c. board, complete	AP-TSR002BA
	swr p.c. board, plated and drilled	PT-SR002BOX
C501	.01uF, 50V, ceramic disc	CK-RB103PZM
C502	.01uF, 50V, ceramic disc	CK-RB103PZM
C503	1uF, 50V, electrolytic	CE-AG010ALN
D501	1N60P	QD-G1N60XXT
D502	1N60P	QD-G1N60XXT
D503	(not used)	
D504	1N60	QD-G1N60XXT
R501	56, 5%, 1/4w, carbon film	RD-14TJ560N
R502	56, 5%, 1/4w, carbon film	RD-14TJ560N
R503	(not used)	
R504	470, 5%, 1/4w, carbon film	RD-14TJ471N
RV501	5k, potentiometer	RP-DNB50201
RV502	2k, potentiometer	RP-DNB20204

Switch P.C. Board

Reference Designator	Description	Part No.
	switch p.c. board, complete	AP-TSW013AA
	switch p.c. board, plated and drilled	PT-SW013COX
SW101	switch, channel select, rotary	APTSW013AA

Chassis Mounted Components

Reference Designator	Description	Part No.
C1	180pF, 500V, mica	CM-SD181KCS
C2	.01uF, 50V, ceramic disc	CK-DB103PEM
C2	.01uF, 50V, ceramic disc	CK-DB103PEM
C3	.01uF, 50V, ceramic disc	CK-DB103PEM
C4	.01uF, 50V, ceramic disc	CK-DB103PEM
C5	4.7, 25V, electrolytic	CE-AE4R7ALN
C6	.01uF, 50V, ceramic disc	CK-DB103PEM
CR1	capacitor/resistor module	CR-E471A01M
F1	fuse, 250V ¼a	ZF-BQ75101U
J1	jack, antenna coaxial	YJ-C02S008Z
J2	jack, 5P DIN, microphone	YJ-D05S001Z
J3	jack, 3P, external speaker	YJ-S03S010Z
J4	jack, remote speaker	YJ-S04S002Z
M	meter	ZM-J1043K03
PL1	lamp, pilot	ZP-A064101U
PL2	lamp, pilot	ZP-D067101U
PT	transformer, power	TP-H68G001K
Q1	2SD313	QT-D0313XAC
R2	100k, 5%, ¼w, carbon film	RD-14TJ104N
S1	on/off pwr switch, (part of volume control)	RV-AD503A02
S2	switch, toggle, ANL	SL-020208ZL
S3	(not used)	
S4	switch, toggle, swr	SL-020301ZL
SP	speaker	ZQ-B0950801
VR1	50k, potentiometer, (with pwr. switch)	RV-AD503A02
VR2	10k, potentiometer, (½ of squelch/ rf gain)	RV-PA104B01
VR2	100k, potentiometer, (½ of squelch/ rf gain)	RV-PA104B01
VR4	10k, potentiometer, CAL	RV-NA103B03
	holder, fuse	YH-F1S3001U
	heatsink, Q2	MV-654AD001

Mechanical Parts

Part No.	Description	Qty.
AM-3084##01	escutcheon assembly, (front panel)	1
VS-879WQ001	panel, side, (right)	1
VS-879WQ002	panel, side, (left).....	1
MB-883SZ002	chassis	1
MB-862SZ029	panel, rear	1
MB-882SM001	cover, top.....	1
MS-886SZ025	plate, bottom	1
MZ-111SZ001	bracket, meter holding	2
MN-286AA025	knob, channel selector	1
MN-276AA053	knob, volume control	1
MN-174AA002	knob, squelch, upper	1
MN-176AA007	knob, rf gain, lower	1
VM-284RB001	foot, rubber	4
AC-AC008ULA	cord, AC power	1
AC-DC034ULA	cord, DC power	1
VF-166EB001	bushing, power cord	1

Accessory Parts

Part No.	Description	Qty.
ZG-AAZ50111	microphone	1

Schematic Diagram, Model 3084



HY-GAIN DE PUERTO RICO, INC.
P.O. Box 68 State Hwy 31, Km. 4.0
Naguabo, Puerto Rico 00718