

This Manual is provided by
CBTricks.com

Someone who wanted to help you repair your equipment
scanned this manual.

If you would like to help us put more manuals online support us.

Supporters of CBTricks.com paid for the hosting so you would have this file.

CBTricks.com is a non-commercial personal website was created to help promote the exchange of service, modification, technically oriented information, and historical information aimed at the Citizens Band, GMRS (CB "A" Band), MURS, Amateur Radios and RF Amps.

CBTricks.com is not sponsored by or connected to any Retailer, Radio, Antenna Manufacturer or Amp Manufacturer, or affiliated with any site links shown in the links database. The use of product or company names on my web site is not endorsement of that product or company.

If your company would like to provide technical information to be featured on this site I will put up on the site as long as I can do it in a non-commercial way.

The site is supported with donation from users, friends and selling of the Galaxy Service Manual CD to cover some of the costs of having this website on the Internet instead of relying on banner ads, pop-up ads, commercial links, etc. to pay my costs. Thus I do not accept advertising banners or pop-up/pop-under advertising or other marketing/sales links or gimmicks on my website.

ALL the money from donations is used for CBTricks.com I didn't do all the work to make money (I have a day job). This work was not done for someone else to make money also, for example the ebay CD sellers.

All Trademarks, Logos, and Brand Names are the property of their respective owners.
This information is not provided by, or affiliated in any way with any radio or antenna Manufacturers.
Thank you for any support you can give.



PHOTOFACT[®] with

CIRCUTRACE[®]

TRADE NAME : Eico Models 771W, 772W
 SUPPLIER : Electronic Instrument Co., Inc.
 33-00 Northern Blvd., L. I. City 1, N. Y.
 TYPE SET : 8 Tube Transceiver
 POWER SUPPLY : 110 - 120 Volts AC, 60 Cycles (or)
 6 (or) 12 Volt Storage Battery
 RATING : 50 Watts, .46 Amp. @ 117VAC
 4.3 Amp. @ 12.6VDC
 8.1 Amp. @ 6.3VDC
 TUNING RANGE : TRANSMITTER: Any 4 CB Channels 1 thru 23
 RECEIVER: 1 Crystal Controlled Channel
 (or) continuously tuned.



ALIGNMENT INSTRUCTIONS

PREALIGNMENT

Suggested Alignment Tools:

A1 thru A11..... GENERAL CEMENT #8282, 8606, 8606-L.... WALSCO #2526, 2543, 2544
 A12, A13..... GENERAL CEMENT #5000, 5003, 5066..... WALSCO #2515, 2516, 2518

RECEIVER ALIGNMENT

SIGNAL GENERATOR	CHANNEL	ADJUST	REMARKS
High side thru .001mfd to pin 2 (grid) of Mixer (V2), common to ground. (Tune to 1750KC).	Any	A1, A2, A3, A4, A5, A6	Connect VTVM between point Δ and ground; adjust for maximum deflection.
High side to antenna terminal, common to chassis. Tune to channel frequency.	11 (27.085MC)	A7, A8, A9	"
"		A10	Rotate Channel Selector switch to position "A" (Crystal controlled). Insert crystal in receive crystal socket. Connect DC VTVM between pin 9 of V3 and ground. Adjust A10 for maximum deflection. Rock A10 each side of the peak, note rate of droppoff. Set A10 at point just below the peak on the side of gradual droppoff.

TRANSMITTER ALIGNMENT

Only those persons properly licensed are permitted to make repairs or adjustments which may result in illegal operation. (Refer to FCC rules and regulations Part 19, Subpart D, Section 19.71).

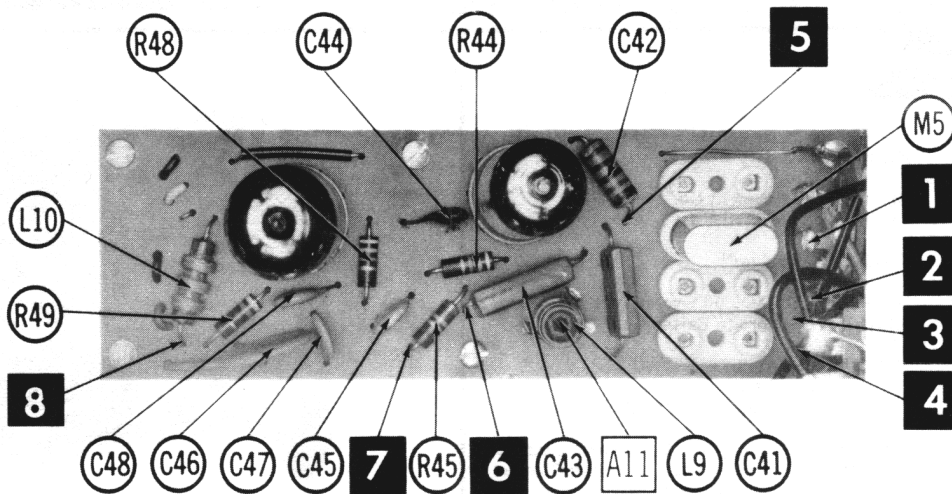
The frequency of the transmitter should be checked periodically with a secondary frequency standard to insure proper and legal operation.

Best results will be obtained when adjusting the final RF output circuit if the antenna normally used is connected and the chassis is as nearly in the cabinet as possible.

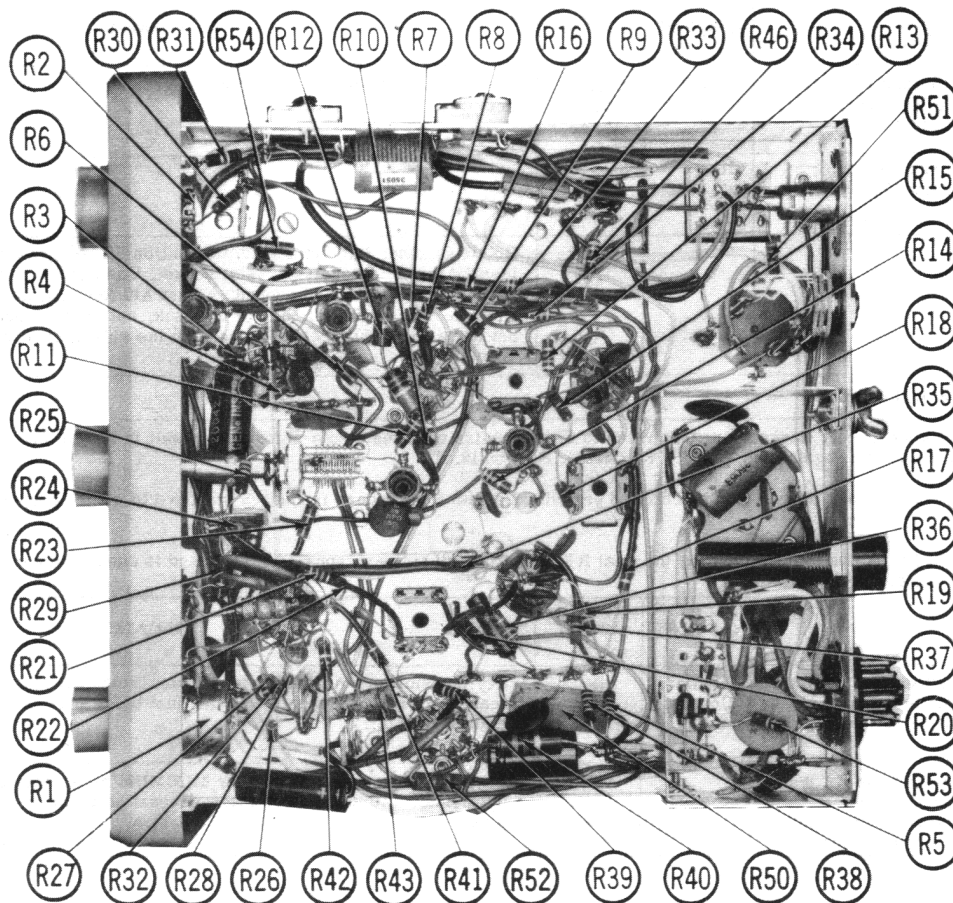
	CHANNEL	ADJUST	REMARKS
Connect dummy load and RF Wattmeter to antenna terminals. Connect DC VTVM between pin 2, V8 and ground.	Center Channel Used.	A11	Key transmitter. Adjust for maximum. Rock A11 to each side of peak, note rate of droppoff. Set A11 just below peak on side of gradual droppoff.
Connect dummy load and RF Wattmeter to antenna terminal. Connect a 0-100 DC milliammeter to meter jack on rear of chassis.		A12, A13	Key transmitter. Adjust A12 for MINIMUM meter indication (20-25ma). Adjust A13 for 27ma. Repeat adjustment several times.

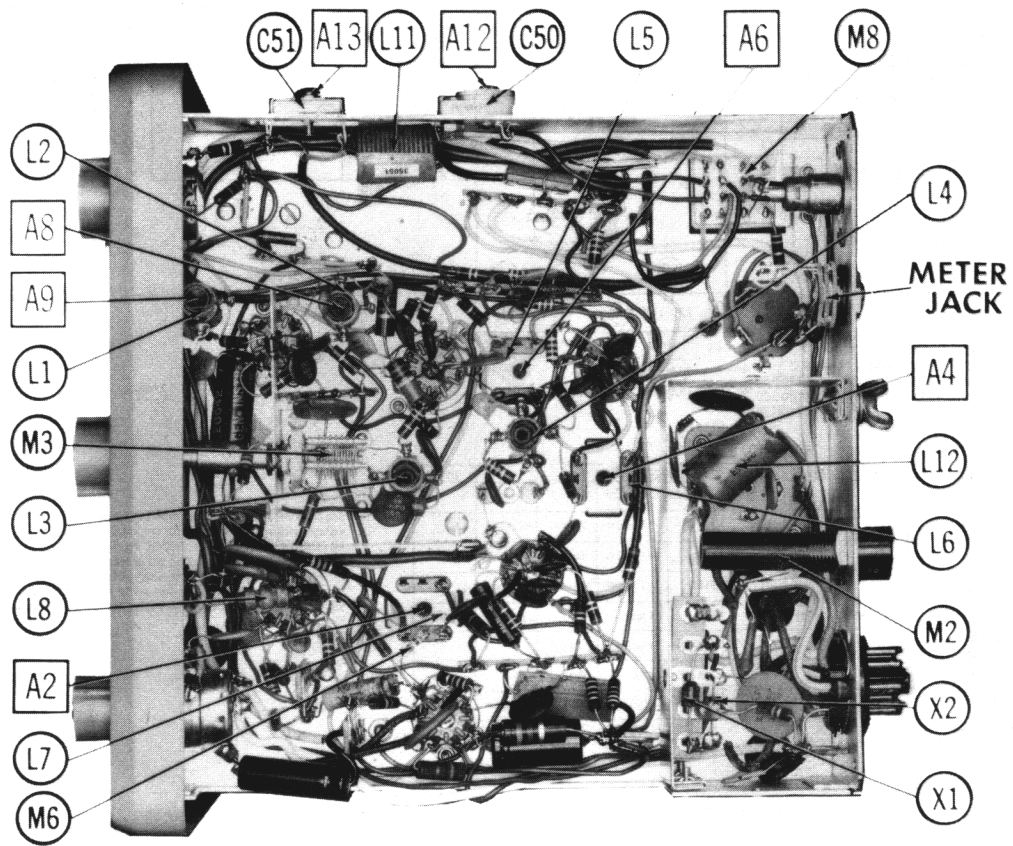
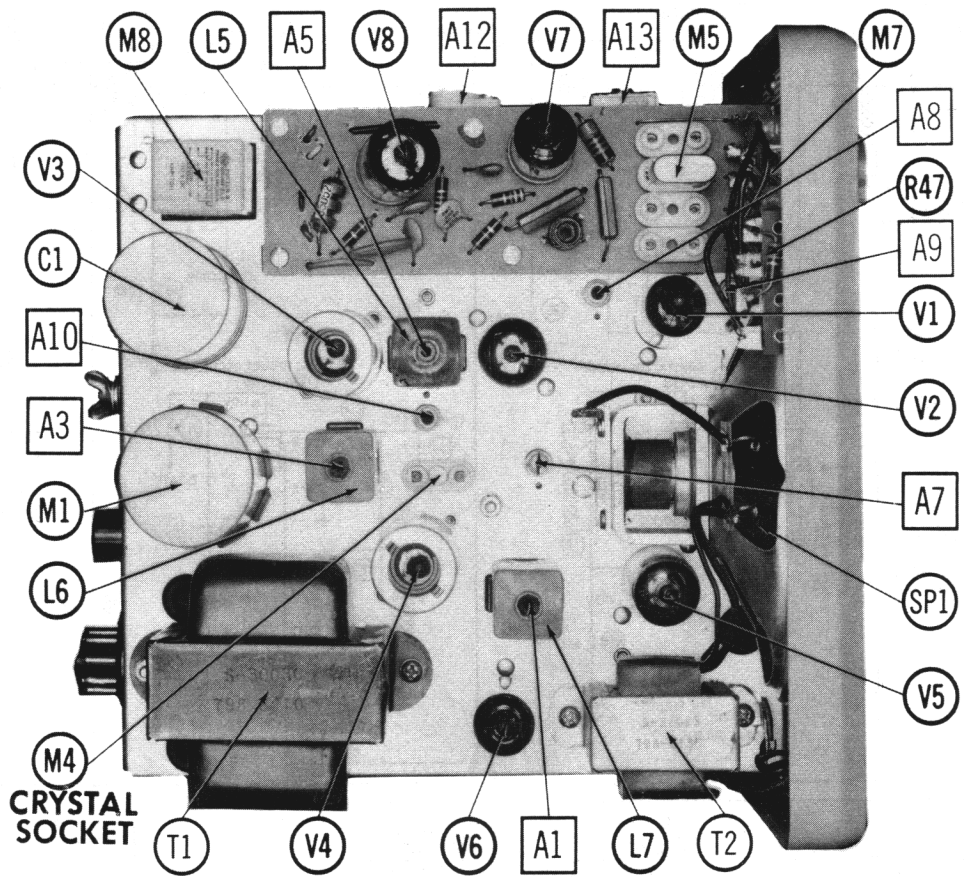
EICO MODELS 771W, 772W

HOWARD W. SAMS & CO., INC. Indianapolis 6, Indiana

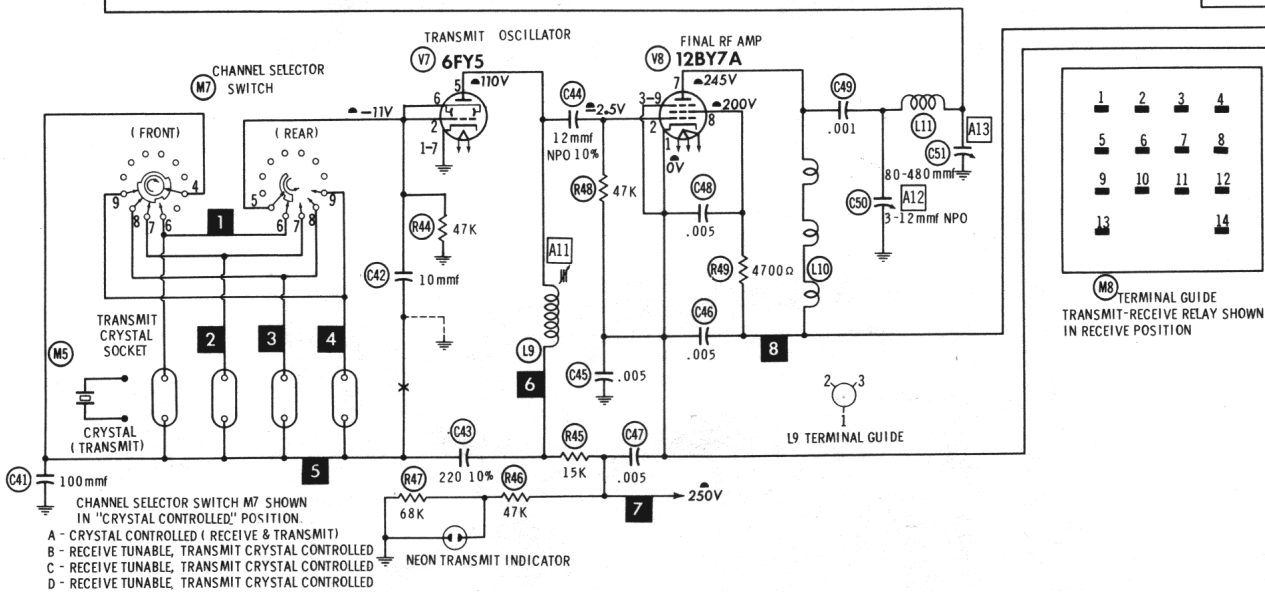
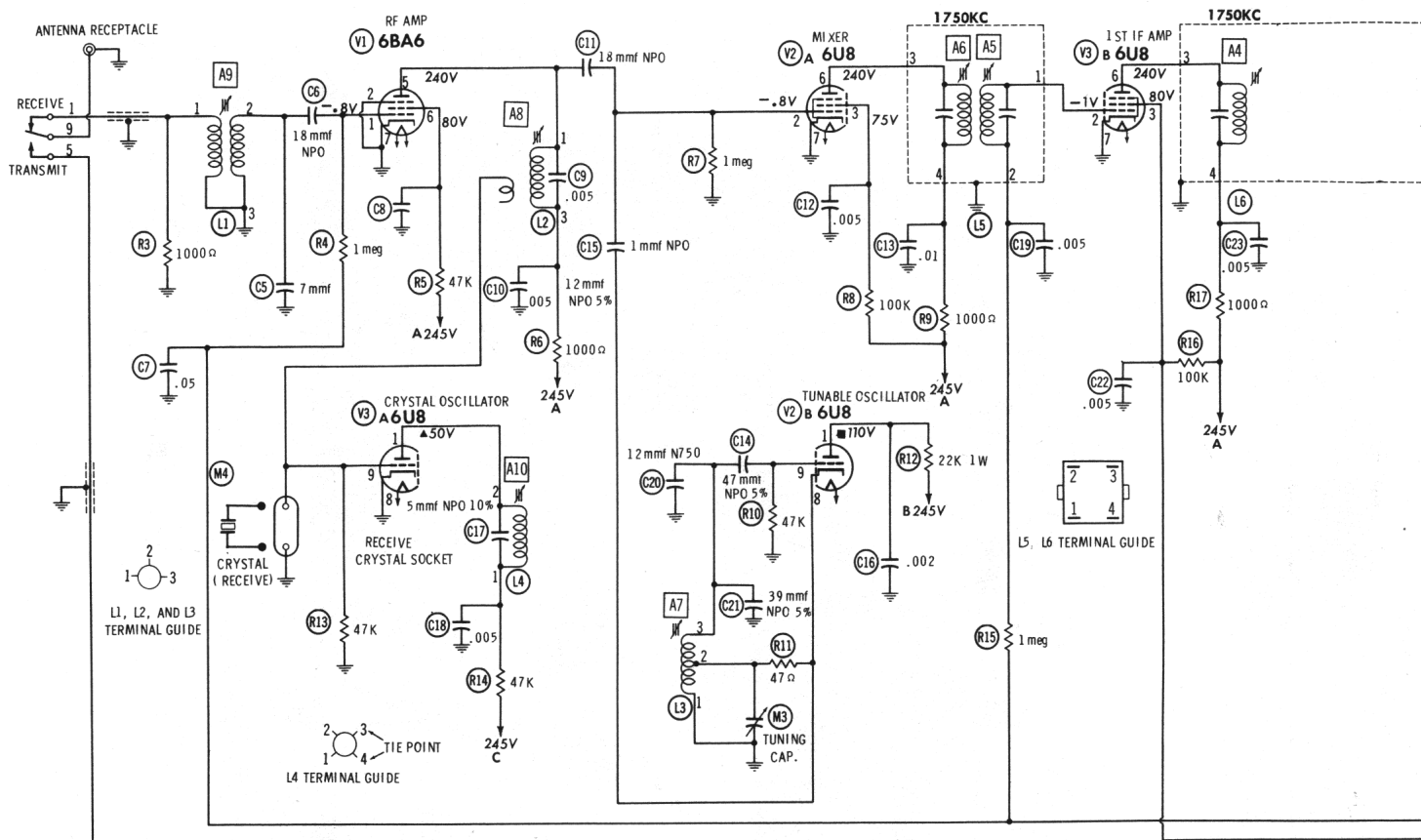


A Howard W. Sams **CIRCUITRACE** Photo





EICO MODELS 771W, 772W



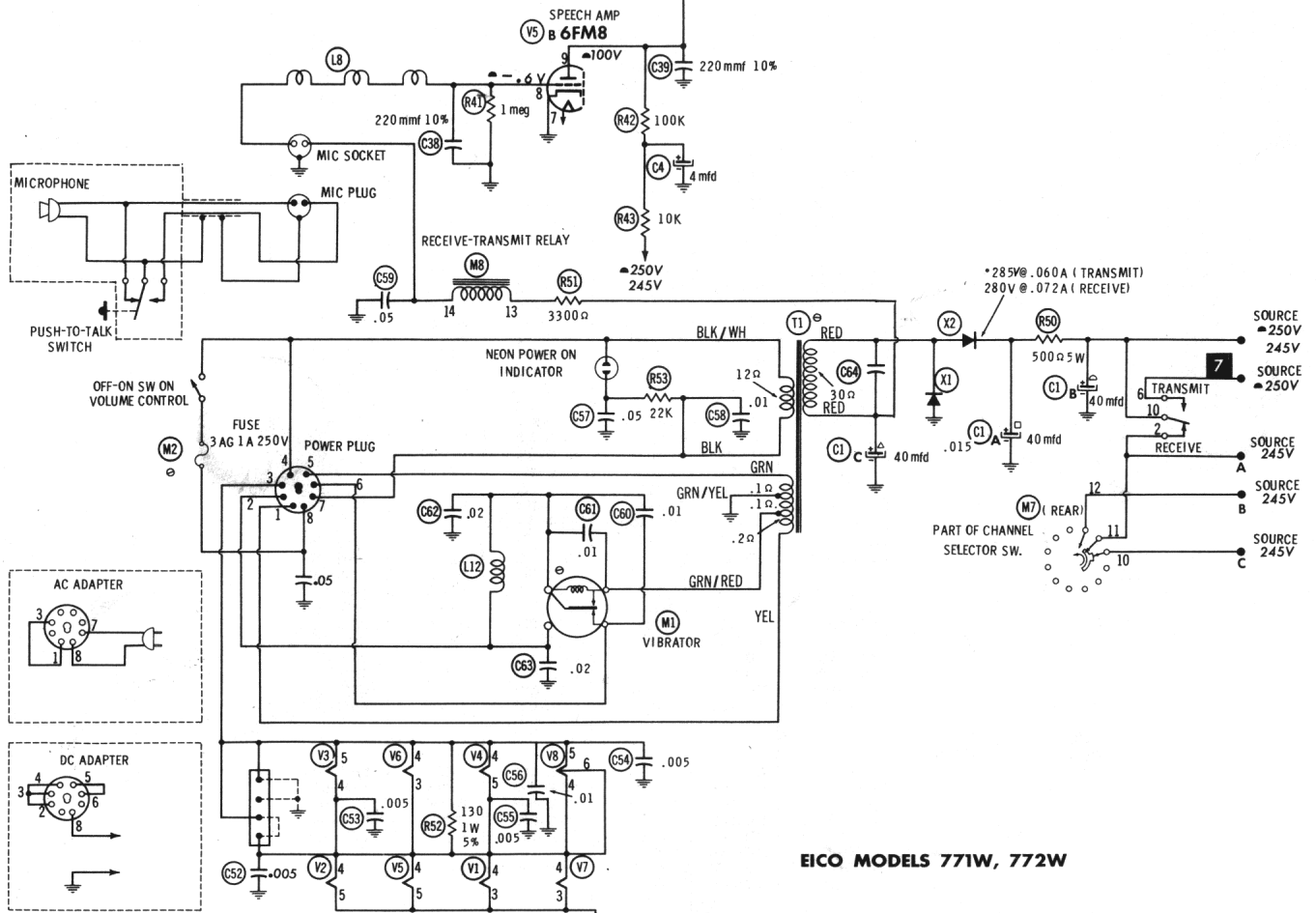
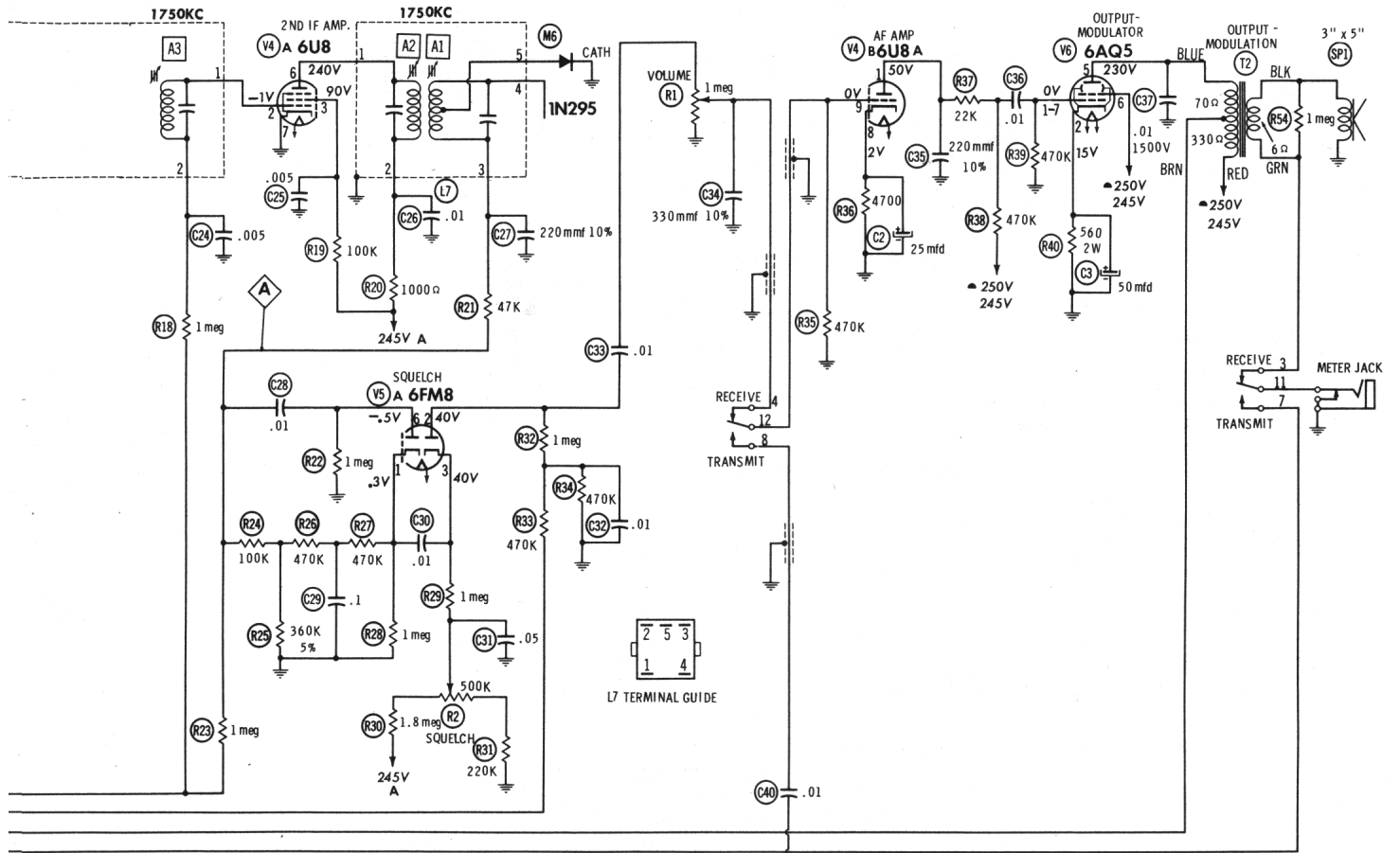
RESISTANCE READINGS

ITEM	TUBE	Pin 1	Pin 2	Pin 3	Pin 4	Pin 5	Pin 6	Pin 7	Pin 8	Pin 9
V1	6BA6	2.5 meg	0Ω	FIL	FIL	†1500Ω	†47K	0Ω		
V2	6U8A	†22K	1 meg	†100K	FIL	FIL	†1500Ω	0Ω	47Ω	47K
V3	6U8A	†47K	2.5 meg	†100K	FIL	FIL	†1500Ω	0Ω	0Ω	47K
V4	6U8A	†490K	2.5 meg	†100K	FIL	FIL	†1500Ω	0Ω	4700Ω	470K
V5	6FM8	1 meg	1.5 meg	1.5 meg	FIL	FIL	1 meg	0Ω	†1 meg	†110K
V6	6AQ5	470K	560Ω	FIL	FIL	†900Ω	†500Ω	470K		
V7	6FY5	0Ω	47K	FIL	FIL	†15K	47K	0Ω		
V8	12BY7A	0Ω	†47K	†0Ω	FIL	FIL	FIL	†830Ω	†5500Ω	†0Ω

† MEASURED FROM CATHODE OF X2
 ‡ MEASURED IN SWITCH POSITION B, C, OR D.
 † MEASURED IN "TRANSMIT" POSITION.
 ‡ MEASURED IN SWITCH POSITION A, WITHOUT RECEIVE CRYSTAL

- ⊕ See parts list for alternate value or application.
- Voltage measurements taken with vacuum tube voltmeter.
 - All controls set for normal operation, no signal applied.
 - Measured values are from socket pin or terminal to common ground.
 - All terminals viewed from bottom unless otherwise designated.
 - Numbers assigned to terminals may not be found on the unit.
 - Supply voltage maintained at rated value for voltage readings.

A PHOTOFAC STANDARD NOTATION SCHEMATIC
 with **CIRCUITRACE**



EICO MODELS 771W, 772W

DOTTED LINES INDICATE CIRCUIT USED IN MODEL 772W

PARTS LIST AND DESCRIPTION

TUBES

◆ AMPEREX ◆		GENERAL ELECTRIC ◆		RCA ◆		RAYTHEON ◆		SYLVANIA ◆	
ITEM No.	USE	TYPE		ITEM No.	USE	TYPE			
V1	RF Amplifier	6BA6		V5	Squelch-Speech Amp.	6FM8			
V2	Mixer-Tunable Osc.	6U8A		V6	Output-Modulator	6AQ5A			
V3	Crystal Osc. -1st IF Amp.	6U8A		V7	Transmit Oscillator	6FY5			
V4	2nd IF Amp. -AF Amp.	6U8A		V8	Final RF Amp.	12BY7A			

POWER RECTIFIERS

ITEM No.	MEASURED CURRENT	ORIGINAL Part or Type No.	RECTIFIERS		
			MALLORY PART No.	RCA PART No.	SARKES TARZIAN PART No.
X1	.072A*	93007	1N2070	1N3194	F6
X2	.072A*	93007	1N2070	1N3194	F6

*.06A Transmit

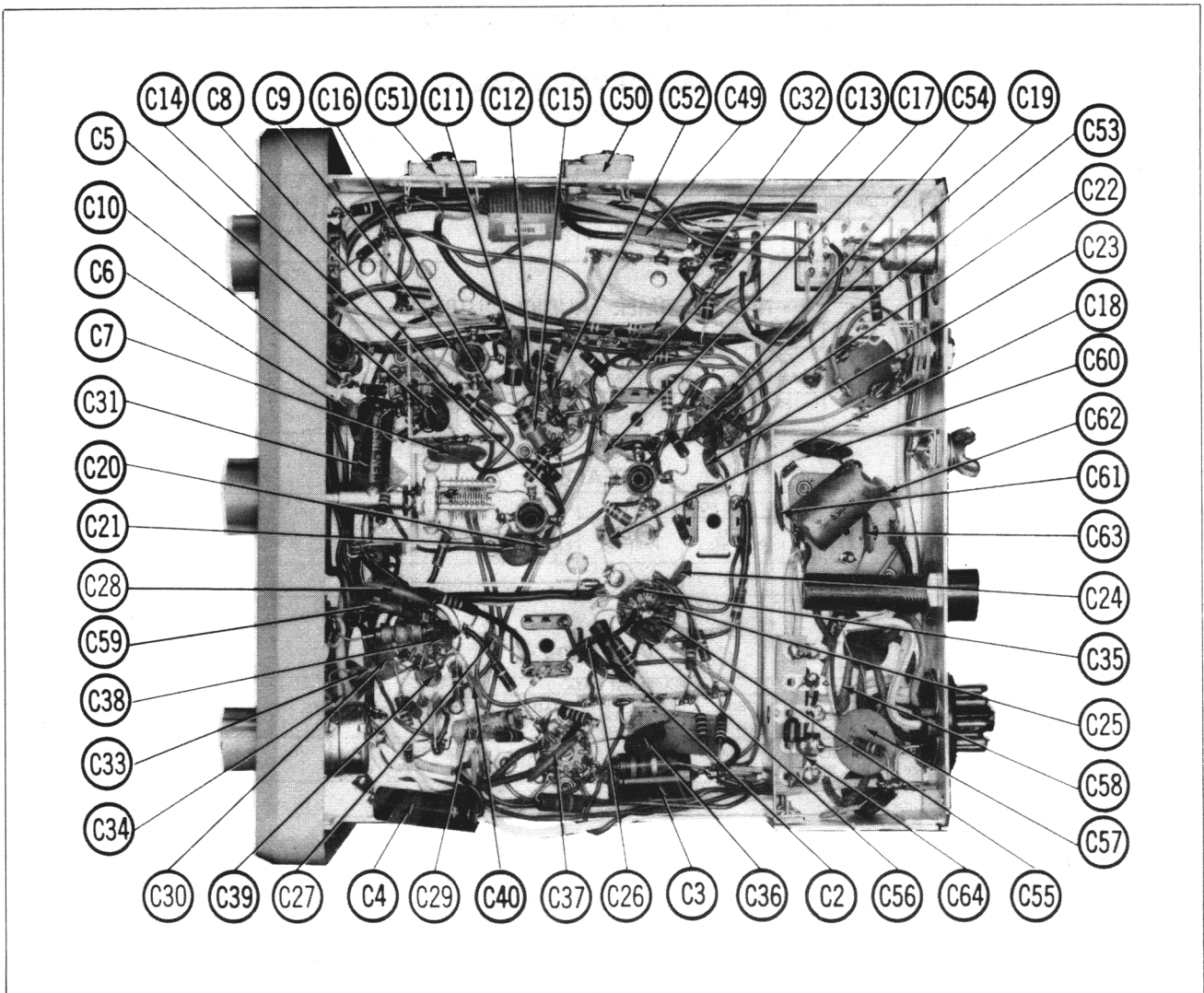
ELECTROLYTIC CAPACITORS

ITEM No.	RATING		EICO PART No.	REPLACEMENT DATA					
	CAP.	VOLT.		AEROVOX PART No.	CORNELL-DUBILIER PART No.	GENERAL ELECTRIC PART No.	GENERAL INSTRUMENT PART No.	MALLORY PART No.	SPRAGUE PART No.
C1A	40	350	24017	AFH3-44	B0450	XC3-40	TMT3748	FP377.1	TVL-3787
B	40	350							
C	40	250							
C2	25	6	23020	PTT26	NL W25-10	MT1-13	MLV25-6	TT6X25	TE-1091
C3	50	25	23007	PTT85	NLW50-25	MT1-17	MLV50-25	TT25X50	TE-1209
C4	4	250	23008	PRS1550	BBR4-250	QT1-2	TD-4-250	TC50X	TVA-1501

FIXED CAPACITORS

ITEM No.	RATING	REMARKS	REPLACEMENT DATA						
			AEROVOX PART No.	CENTRALAB PART No.	CORNELL-DUBILIER PART No.	ELMENCO PART No.	MALLORY PART No.	SPRAGUE PART No.	
C5	7	(.01) †	CI-7	DD-6R8	L10V7	CCTO-6R8	CNO-568	10TCC-V68	
C6	18 NPO				TCZ-18	C10Q18C	CCTO-180	CNO-418	10TCC-Q18
C7	.05			BPD-05	DD-503	CUB6S5	6DP-3-503	GP150	6PS-S50
C8	.005			BPD-005	DD-502	BYA10D5	CCD-502	B-250	5HK-D50
C9	12 NPO 5%				TCZ-12	C10Q12C	CCTO-120	CNO-412	10TCC-Q12
C10	.005			BPD-005	DD-502	BYA10D5	CCD-502	B-250	5HK-D50
C11	18 NPO				TCZ-18	C10Q18C	CCTO-180	CNO-418	10TCC-Q18
C12	.005			BPD-005	DD-502	BYA10D5	CCD-502	B-250	5HK-D50
C13	.01			BPD-01	DD-103	BYA10S1	CCD-103	B-110	5HK-S10
C14	47 NPO 5%			NPO-DI 47	TCZ-47	C10Q47C	CCTO-470	CNO-447	10TCC-Q47
C15	1 NPO			CI-1	TCZ-1			CNO-510	10TCC-V10
C16	.002			BPD-002	DD-202	BYA10D2	CCD-202	B-220	5HK-D20
C17	5 NPO 10%			NPO-DI 5	TCZ-5	C10V5C	CCTO-050	CNO-547	10TCC-V50
C18	.005			BPD-005	DD-502	BYA10D5	CCD-502	B-250	5HK-D50
C19	.005			BPD-005	DD-502	BYA10D5	CCD-502	B-250	5HK-D50
C20	12 N750								
C21	39 NPO 5%								
C22	.005			BPD-005	DD-502	BYA10D5	CCD-502	B-250	5HK-D50
C23	.005			BPD-005	DD-502	BYA10D5	CCD-502	B-250	5HK-D50
C24	.005			BPD-005	DD-502	BYA10D5	CCD-502	B-250	5HK-D50
C25	.005			BPD-005	DD-502	BYA10D5	CCD-502	B-250	5HK-D50
C26	.01			BPD-01	DD-103	BYA10S1	CCD-103	B-110	5HK-S10
C27	220 10%			DI-220	DD-221	L10T22	CCD-221	GP322	10TS-T22
C28	.01			BPD-01	DD-103	BYA10S1	CCD-103	B-110	5HK-S10
C29	.1 100V			P488N-1	DF-104	CUB4P1	4DP-3-104	GEM-401	4TM-P10
C30	.01			BPD-01	DD-103	BYA10S1	CCD-103	B-110	5HK-S10
C31	.05 400V			P688N-047	DD-503	CUB6S47	6DP-3-473	GEM-6147	6TM-S47
C32	.01			BPD-01	DD-103	BYA10S1	CCD-103	B-110	5HK-S10
C33	.01			BPD-01	DD-103	BYA10S1	CCD-103	B-110	5HK-S10
C34	330 10%			DI-330	DD-331	L10T33	CCD-331	GP333	10TS-T33
C35	220 10%			DI-220	DD-221	L10T22	CCD-221	GP322	10TS-T22
C36	.01			BPD-01	DD-103	BYA10S1	CCD-103	B-110	5HK-S10
C37	.01 1500V			DAC-27	DD16-103	HVE16S1	16DP-3-103	UAC-110	BL-S10
C38	220 10%			DI-220	DD-221	L10T22	CCD-221	GP322	10TS-T22
C39	220 10%			DI-220	DD-221	L10T22	CCD-221	GP322	10TS-T22
C40	.01			BPD-01	DD-103	BYA10S1	CCD-103	B-110	5HK-S10
C41	100			1459-100		22R5T1	CM-19-100	MC235	MS-31
C42	10			CI-10	TCZ-10	L10Q1	DD-100	GP410	10TS-Q10
C43	220 10%			DI-220	DD-221	L10T22	CCD-221	GP322	10TS-T22
C44	12 NPO 10%				TCZ-12	C10Q12C	CCTO-120	CNO-412	10TCC-Q12
C45	.005			BPD-005	DD-502	BYA10D5	CCD-502	B-250	5HK-D50
C46	.005			BPD-005	DD-502	BYA10D5	CCD-502	B-250	5HK-D50
C47	.005			BPD-005	DD-502	BYA10D5	CCD-502	B-250	5HK-D50
C48	.005			BPD-005	DD-502	BYA10D5	CCD-502	B-250	5HK-D50
C49	.01								
C50	3-12 NPO		#29500						
C51	80-480		#29509						
C52	.005			BPD-005	DD-502	BYA10D5	CCD-502	B-250	5HK-D50
C53	.005			BPD-005	DD-502	BYA10D5	CCD-502	B-250	5HK-D50
C54	.005		BPD-005	DD-502	BYA10D5	CCD-502	B-250	5HK-D50	
C55	.005		BPD-005	DD-502	BYA10D5	CCD-502	B-250	5HK-D50	
C56	.01		BPD-01	DD-103	BYA10S1	CCD-103	B-110	5HK-S10	
C57	.05		TTD-05	DDA-503	H05S5			TG-S50	
C58	.01		BPD-01	DD-103	BYA10S1	CCD-103	B-110	5HK-S10	
C59	.05		TTD-05	DDA-503	H05S5			TG-S50	
C60	.01								
C61	.01								
C62	.02								
C63	.02								
C64	.015 600V								

† Alternate Value.
Eico Part Number.



EICO MODELS 771W, 772W

PARTS LIST AND DESCRIPTION (CONTINUED)

CONTROLS

All wattages 1/2 watt, or less, unless otherwise listed.

ITEM No.	USE	RESISTANCE	REPLACEMENT DATA				
			EICO PART No.	CENTRALAB PART No.	CLAROSTAT PART No.	CTS-IRC PART No.	MALLORY PART No.
R1	Volume & Switch	1meg	18059	B-70-S or (F1-500K, SU204)	A47-1meg-Z, SWE-12, KSS-3	Q13-137, 76-1 or (BU2, C F-26, SS-1, GC)*	U53, US-26, or (UA16A, US-41, SK-1000)
R2	Squeich	500K	18076	B-59 or (F2-1meg, KR-1, SU204)	A47-500K-S, KSS-3	Q11-133 or (BU2, C F16, SS1, DC1)*	U50 or (UA55L, SK-1000)

* "SNAPTROL"

RESISTORS (Power and Special)

ITEM No.	RATING	REPLACEMENT DATA			ITEM No.	RATING	REPLACEMENT DATA		
		IRC PART No.	WORKMAN PART No.	REMARKS			IRC PART No.	WORKMAN PART No.	REMARKS
R50	500Ω 5W	PW5-500	5W-SQ-500						

COILS (RF-IF)

ITEM No.	USE	REPLACEMENT DATA					NOTES
		EICO PART No.	MERIT PART No.	MILLER PART No.	STANCOR PART No.	WORKMAN PART No.	
L1	Rec. Ant.	36024					
L2	Mixer (2.4uh)	36025					
L3	Osc., Tunable (1.6uh)	36026					
L4	Osc., Crystal (6.5uh)	36027		4204			
L5	1st IF	34615					
L6	2nd IF	34616					
L7	3rd IF	34617					
L8	RF Choke (100uh)	35052		6112			
L9	Transmit Osc. (3.5uh)	36023					
L10	RF Choke (100uh)	35052		6112			
L11	Final Tank (1.9uh)	35051					
L12	Hash Filter	35053					

PARTS LIST AND DESCRIPTION (CONTINUED)

TRANSFORMER (POWER)

ITEM No.	RATING			REPLACEMENT DATA					NOTES
				EICO PART No.	MERIT PART No.	STANCOR PART No.	THORDARSON PART No.	TRIAD PART No.	
	PRI.	SEC. 1	SEC. 2						
T1	117VAC @ .47A or 12.6V CT @ 2.4A	115VAC @ .072A DC	6.3VAC @ 1.8A AC	30036 ① 30037 ②					① 771W only. ② 772W only. * 12.6V Winding on Model 772W

TRANSFORMER (AUDIO OUTPUT)

ITEM No.	IMPEDANCE		REPLACEMENT DATA					NOTES
			EICO PART No.	MERIT PART No.	STANCOR PART No.	THORDARSON PART No.	TRIAD PART No.	
	PRI.	SEC.						
T2	7500Ω Tap @ 6000Ω	3-4Ω	32023					

SPEAKER

ITEM No.	TYPE	REPLACEMENT DATA		NOTES
		EICO PART No.	QUAM PART No.	
SP1	3" x 5" PM 3-4Ω	55014	35A05	

VIBRATOR

ITEM No.	TYPE	INPUT VOLTS	FREQUENCY	REPLACEMENT DATA			NOTES
				EICO PART No.	CORNELL-DUBILIER PART No.	MALLORY PART No.	
M1	Interrupter Interrupter	6, 3 12, 6	115v 115v	39500 39501	5301 6301	1601 G1601	Model 771W Model 772W

FUSES

ITEM No.	TYPE	RATING	REPLACEMENT DATA					
			EICO PART No.		LITTELFUSE PART No.		BUSS PART No.	
			FUSE	HOLDER	FUSE	HOLDER	FUSE	HOLDER
M2	3AG	1A 250V S/B	91006 ①	97800	313001 (3AG 1A 250V)	342001	MDL-1	HKP
			91010 ②	97800	307010 (3AG 10A 32V)	342001	MDA-6	HKP
			91009 ③	97800	307006 (3AG 6A 32V)	342001	MDA-6	HKP

① 117VAC Versions. ② 6.3VDC Versions. ③ 12.6VDC Versions.

MISCELLANEOUS

ITEM No.	PART NAME	EICO PART No.	NOTES
M3	Tuning Cap.	29016	15mmf
M4	Crystal		Receive, (order frequency desired)
M5	Crystal		Transmit (order frequency desired)
M6	Detector (1N295)	95002	
M7	Switch	60087	Channel Selector (Rotary Wafer Type)
M8	Relay	39002	Receive-Transmit)
	Microphone	57501	
	Neon Indicator	97715	2 Used (Power On-Transmit Indicator)

CABINETS & CABINET PARTS

(When Ordering Specify Model, Chassis & Color)

ITEM	PART No.	ITEM	PART No.
Knob	53034	Cabinet	88079

WIRING DATA

General-use Hook-up Wire	Use BELDEN No. 8530 (Solid) Available in 12 Colors 8524 (Stranded) Available in 12 Colors
Shielded Antenna Lead	Use BELDEN No. 8214 Lowest Loss (RG-8/U Type) 8237 Low Loss (RG-8/U) 8240 (Solid) Miniature (RG-58/U) 8259 (Stranded) Miniature (RG-58A/U)
Coiled Microphone Cable	Use BELDEN No. 8497 3 Conductor- 1 Shielded for Press-to-Talk (Neoprene) 8496 3 Conductor- 1 Shielded for Press-to-Talk (Vinyl)
Ignition Noise Suppression	Use BELDEN No. 7300-Series Spark-Plug Sets
Bonding Strap	Use BELDEN No. 8661 (3/8 In.)