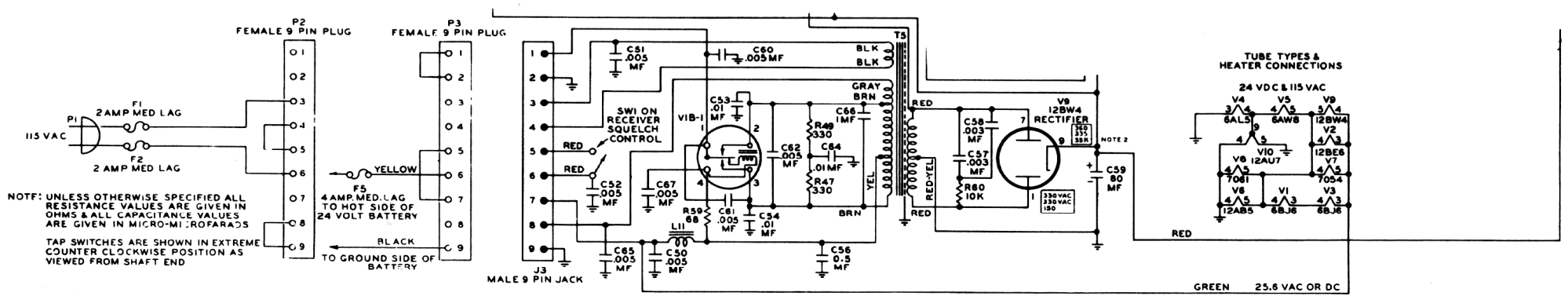


Schematic 25.638

SCHEMATIC OF POWER SUPPLY SECTION Models 242-238, 242-338 for 12 VDC, 115 VAC and 230 VAC

See schematic on opposite side of this sheet for remainder of circuit.



NOTE: UNLESS OTHERWISE SPECIFIED ALL RESISTANCE VALUES ARE GIVEN IN OHMS & ALL CAPACITANCE VALUES ARE GIVEN IN MICRO-MICROFARADS
TAP SWITCHES ARE SHOWN IN EXTREME COUNTER CLOCKWISE POSITION AS VIEWED FROM SHAFT END

Schematic 25.529

SCHEMATIC OF POWER SUPPLY SECTION Models 242-129, 242-229, 242-329 for 24 VDC and 115 VAC

See schematic on opposite side of the sheet for remainder of circuit.