

This Manual is provided by
CBTricks.com

Someone who wanted to help you repair your equipment
scanned this manual.

If you would like to help us put more manuals online support us.

Supporters of CBTricks.com paid for the hosting so you would have this file.

CBTricks.com is a non-commercial personal website was created to help promote the exchange of service, modification, technically oriented information, and historical information aimed at the Citizens Band, GMRS (CB "A" Band), MURS, Amateur Radios and RF Amps.

CBTricks.com is not sponsored by or connected to any Retailer, Radio, Antenna Manufacturer or Amp Manufacturer, or affiliated with any site links shown in the links database. The use of product or company names on my web site is not endorsement of that product or company.

If your company would like to provide technical information to be featured on this site I will put up on the site as long as I can do it in a non-commercial way.

The site is supported with donation from users, friends and selling of the Galaxy Service Manual CD to cover some of the costs of having this website on the Internet instead of relying on banner ads, pop-up ads, commercial links, etc. to pay my costs. Thus I do not accept advertising banners or pop-up/pop-under advertising or other marketing/sales links or gimmicks on my website.

ALL the money from donations is used for CBTricks.com I didn't do all the work to make money (I have a day job). This work was not done for someone else to make money also, for example the ebay CD sellers.

All Trademarks, Logos, and Brand Names are the property of their respective owners.
This information is not provided by, or affiliated in any way with any radio or antenna Manufacturers.
Thank you for any support you can give.



TECH-NIQUE

990 South Fair Oaks Avenue, Pasadena, California 91105 / Telephone: (213) 799-9164

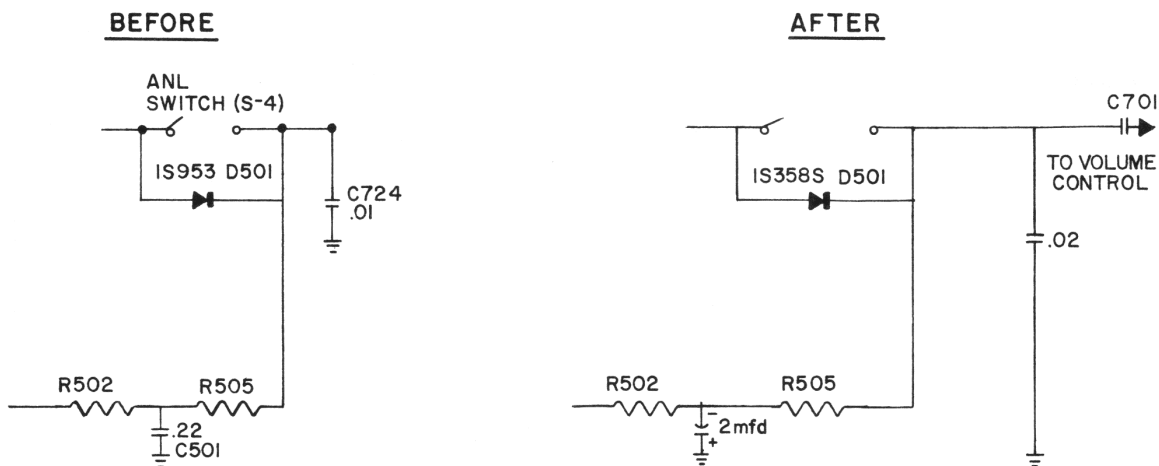
A communication of vital interest to every Courier dealer

S-250

SUBJECT: NOISE LIMITER CIRCUIT - CLASSIC III
(Ser. #08410001 to #08414000)

In specific instances where additional noise limiting is required, the following circuit modification is recommended.

Parts required: (1) 1S358S Diode (Courier Part #1001-11)
OR:
(1) 1N662 Diode (Courier Part #DI-3)
(1) 2 mfd. @ 10V. Electrolytic Cap.
(1) .02 mfd. Ceramic Disc Cap.



- Remove D-501 (1S953).
- Substitute 1S358S (or 1N662). Observe polarity.
- Remove C-501 (.22 mfd).
- Substitute 2 mfd., 10V. cap. (Note: polarity of capacitor (-) to junction of R-502 & R-505, (+) to B minus line).

- E) Remove C-724 (.01 mfd).
- F) Substitute .02 mfd. disc cap.

Care should be used when re-soldering the new diode to avoid overheating the diode junction. Hold diode lead with pliers (between diode body and solder connection) during soldering procedure for each lead.



Ray Dashner
Customer Service Mgr.

RD:rt