

6

5

4

3

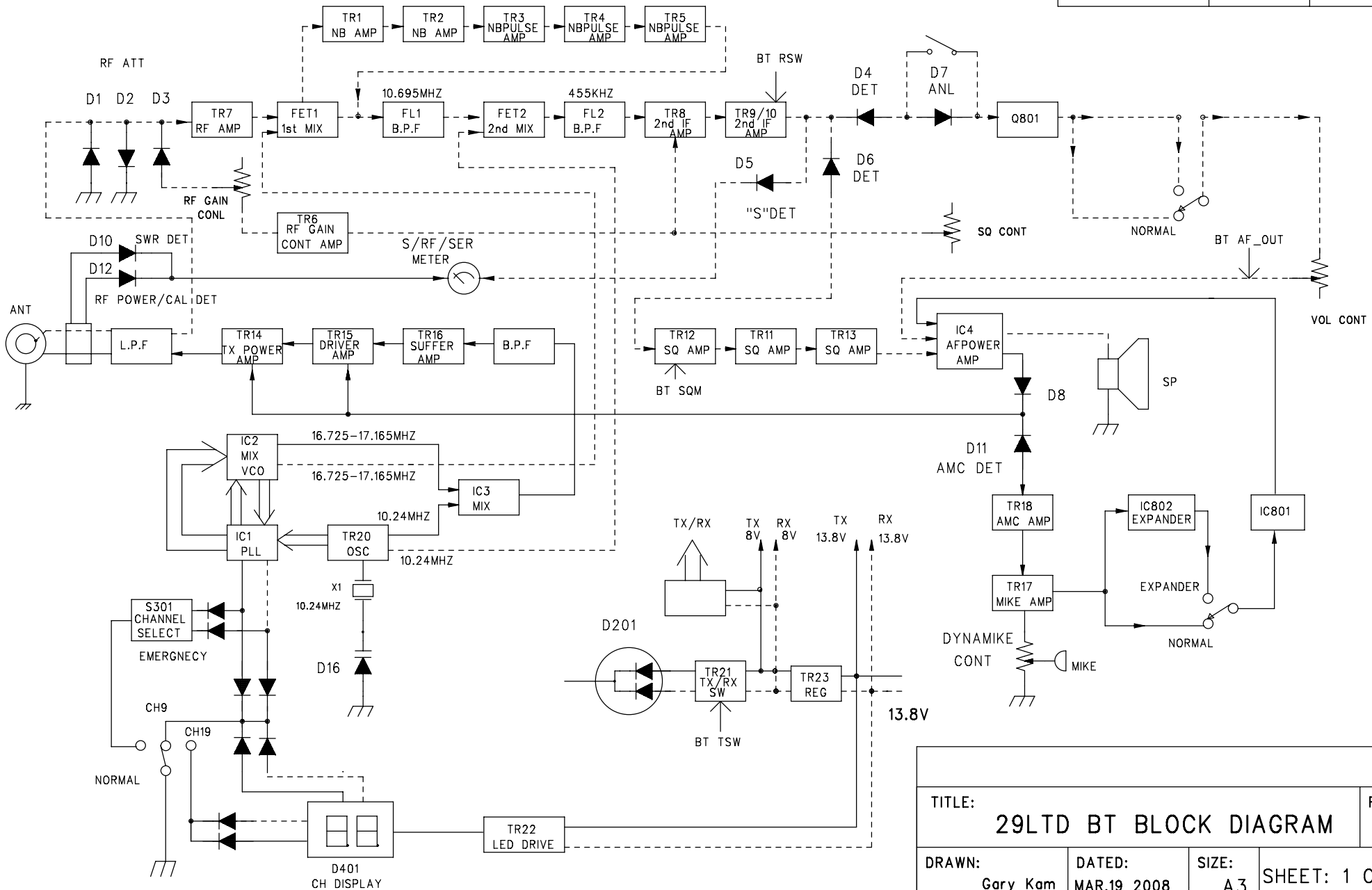
2

1

29LTD BT BLOCK DIAGRAM

REVISION RECORD

UPDATE TO ECN	APPROVED:	DATE:



TITLE: 29LTD BT BLOCK DIAGRAM		REV: A	
DRAWN: Gary Kam	DATED: MAR.19 2008	SIZE: A3	SHEET: 1 OF 1
CHECKED: XW Peng	DATED: MAR.19 2008	APPROVED: SD Park	DATED: MAR.19 2008

D

D

C

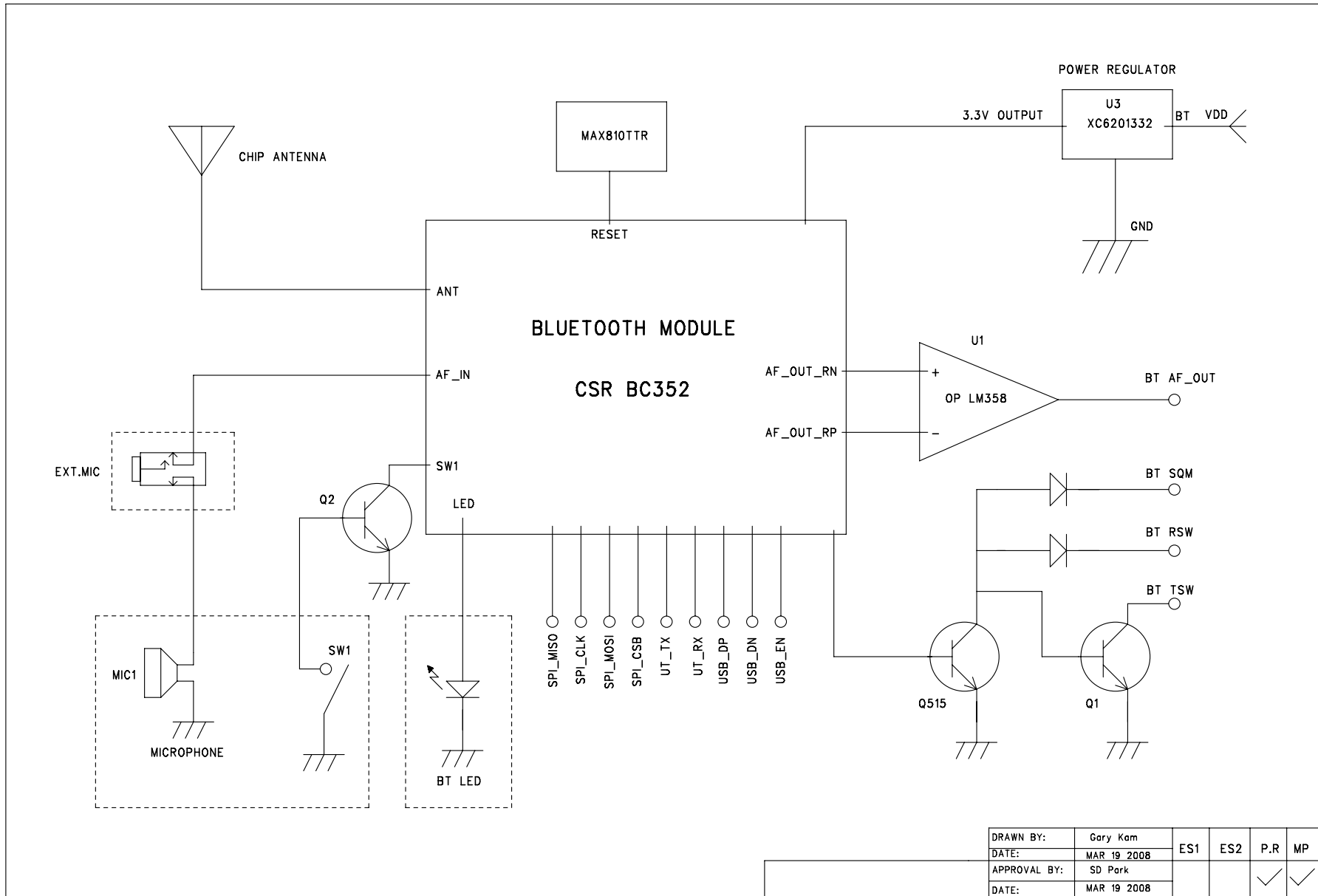
C

B

B

A

29LTD BT : Bluetooth PCB BLOCK DIAGRAM



DRAWN BY:	Gary Kam	ES1	ES2	P.R	MP
DATE:	MAR 19 2008				
APPROVAL BY:	SD Park			✓	✓
DATE:	MAR 19 2008				