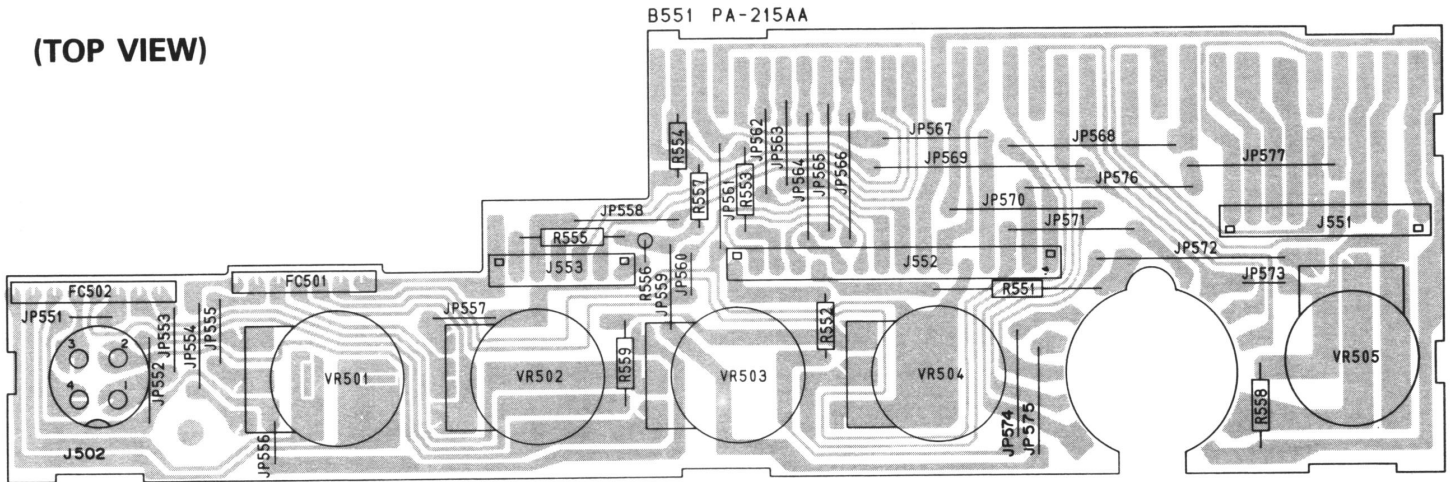


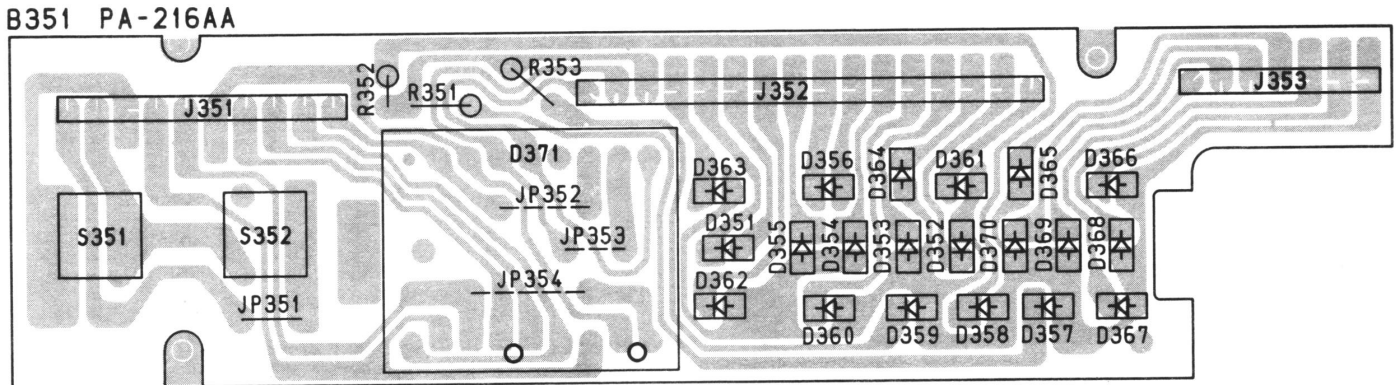
FRONT P.C. BOARD (TOP & BOTTOM)

(TOP VIEW)

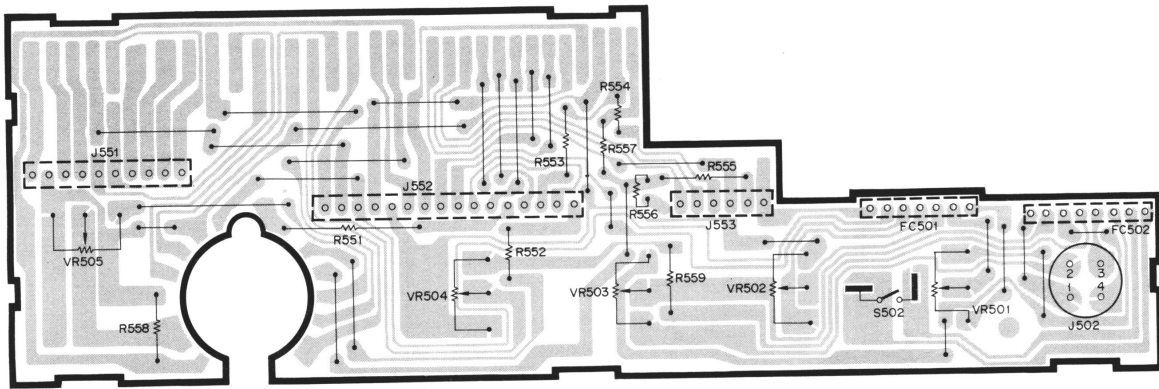


LED P.C. BOARD (TOP & BOTTOM)

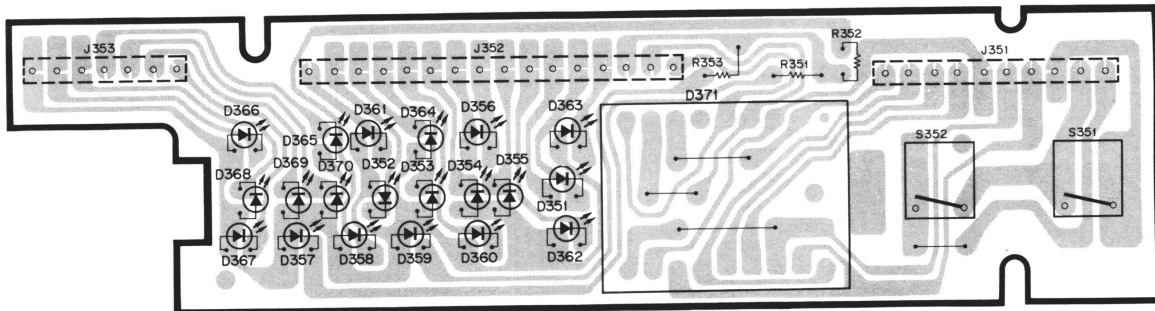
(TOP VIEW)



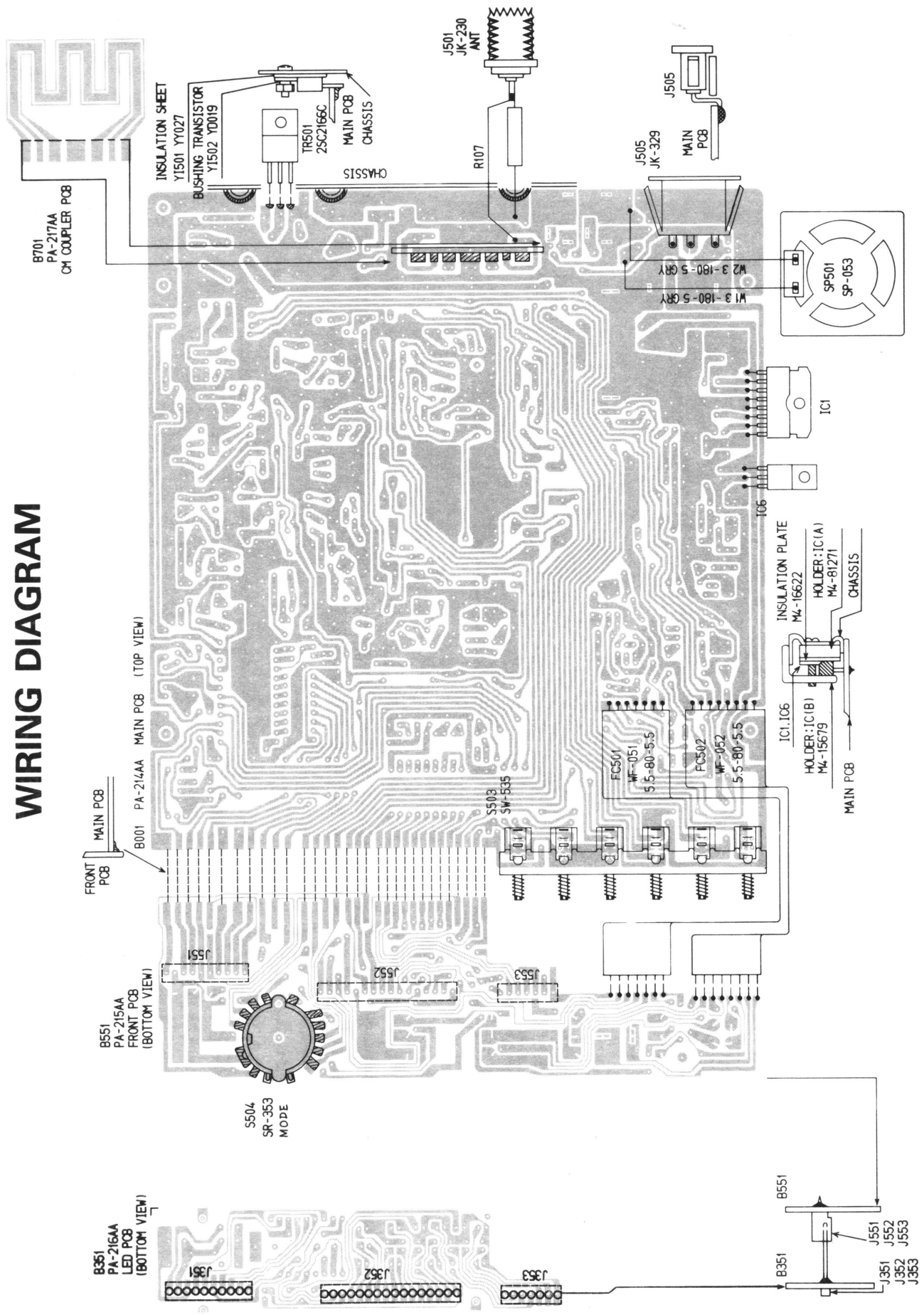
(BOTTOM VIEW)



(BOTTOM VIEW)

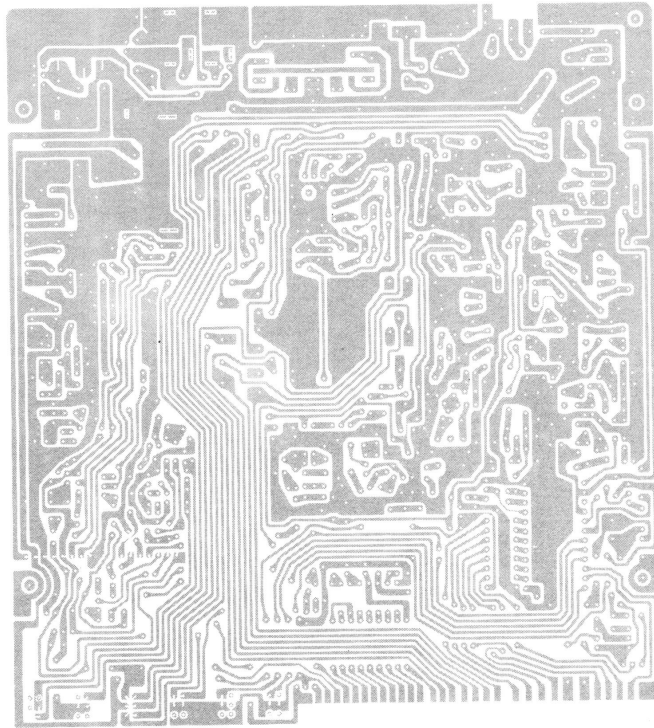


WIRING DIAGRAM

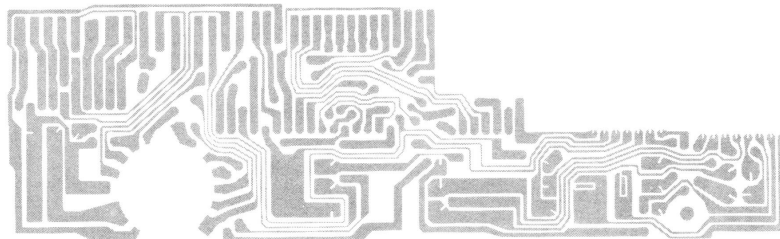


COPPER PATTERN LAYOUT

MAIN P.C. BOARD



FRONT P.C. BOARD



LED P.C. BOARD

