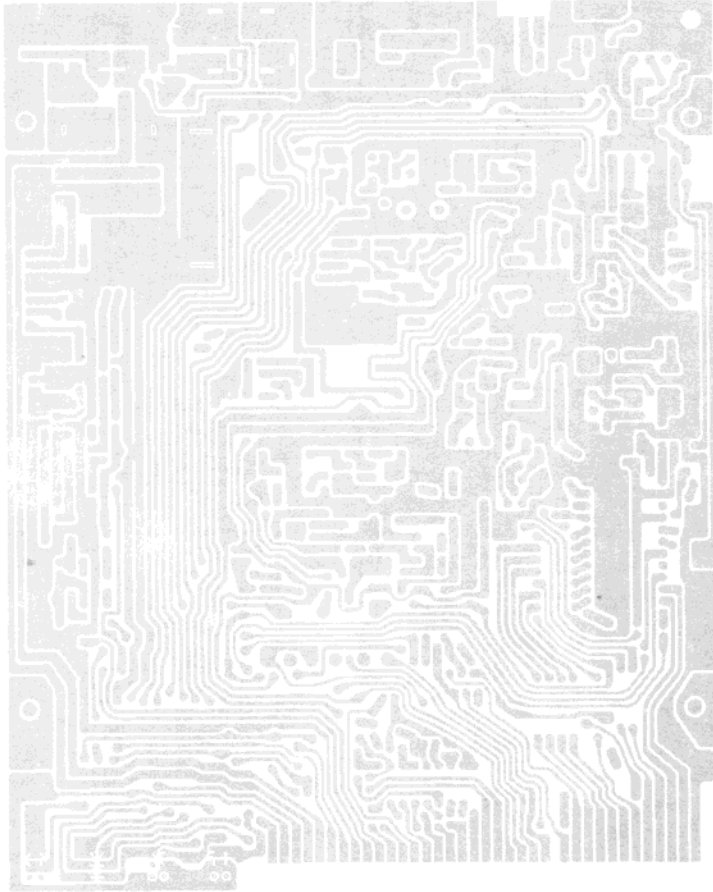
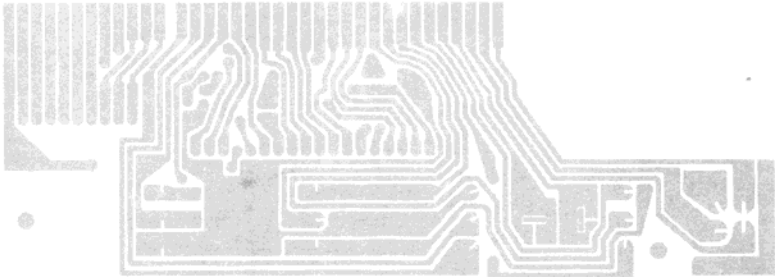


COPPER PATTERN LAYOUT

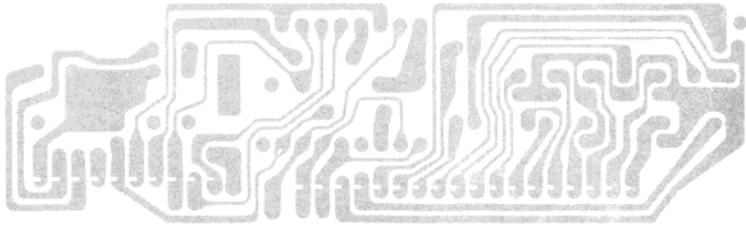
MAIN P.C. BOARD



FRONT P.C. BOARD



LED P.C. BOARD



ELECTRICAL PARTS LIST

REF. NO.	DESCRIPTION	DYNASCAN PART NO.
CAPACITORS		
<p>NOTE: The first code indicates tolerance of capacitance: C=±0.25 pF, D=±0.5 pF, F=±1 pF, G=±2%, J=±5%, K=±10%, M=±20%, Z=+70% -20% The second code indicates variation of capacitance with temperature: YA=±5%, YB=±10%, YD=+20% -30%, YE=+20 -50%, YF=+30 -70% (-25~+85°C) ZF=+30 -80% (-10~+70°C), CH=0±60 ppm/°C, RH=-220 ppm/°C±60 ppm/°C, CJ=0±120 ppm/°C, RJ=-220 ppm/°C±120 ppm/°C, TH=-470 ppm/°C±60 ppm/°C, UJ=-750 ppm/°C±12 ppm/°C, SL=+35 ppm/°C~-1000 ppm/°C</p>		
C-1 C-2 C-3 C-4 C-5 C-6 C-7 C-8 C-9 C-10 C-11 C-12 C-13 C-14 C-15 C-16 C-17 C-18 C-19 C-20 C-21 C-22 C-23 C-24 C-25 C-26 C-27 C-28 C-29 C-30 C-31 C-32 C-33 C-34 C-35 C-36 C-37 C-38 C-39 C-40 C-41 C-42 C-43	Capacitor, Ceramic 10 pF 50V K SL Capacitor, Ceramic 0.01 μF 50V Z YF Capacitor, Ceramic 0.01 μF 50V Z YF Capacitor, Ceramic 220 pF 50V K SL Capacitor, Ceramic 220 pF 50V K SL Capacitor, Ceramic 680 pF 50V K SL Capacitor, Ceramic 0.01 μF 50V Z YF Capacitor, Semi-conductor (SR) 0.01 μF 25V K Capacitor, Ceramic 22 pF 50V K UJ -Not used- Capacitor, Ceramic 0.001 μF 50V K YB (B) Capacitor, Ceramic 0.0047 μF 50V Z YF Capacitor, Electrolytic 2.2 μF 50V Capacitor, Ceramic 0.001 μF 50V K YB (B) Capacitor, Ceramic 47 pF 50V K SL Capacitor, Ceramic 0.01 μF 50V Z YF Capacitor, Ceramic 100 pF 50V K SL Capacitor, Ceramic 0.01 μF 50V Z YF Capacitor, Ceramic 0.01 μF 50V Z YF Capacitor Electrolytic 4.7 μF 50V Capacitor, Ceramic 0.01 μF 50V Z YF Capacitor, Ceramic 0.047 μF 25V K Z ZF Capacitor, Semi-conductor (SR) 0.047 μF 25V K Capacitor, Semi-conductor (SR) 0.047 μF 25V K Capacitor, Semi-conductor (SR) 0.1 μF 25V K Capacitor, Electrolytic 10 μF 25V M C-155 -Not used- Capacitor, Ceramic 220 pF 50V K SL Capacitor, Electrolytic 1 μF 50V Capacitor, Semi-conductor (SR) 0.001 μF 25V K Capacitor, Electrolytic 10 μF 16V Capacitor, Semi-conductor (SR) 0.0022 μF 25V K Capacitor, Ceramic 0.001 μF 50V K YB (B) -Not used- Capacitor, Semi-conductor (SR) 0.0015 μF 25V K Capacitor, Electrolytic 10 μF 16V -Not used- Capacitor Electrolytic 1000 μF 10V M C-095 Capacitor, Electrolytic 1 μF 50V M C-094 -Not used- -Not used- Capacitor, Ceramic 0.01 μF 50V Z YF Capacitor, Ceramic 22 pF 50V K SL	

REF. NO.	DESCRIPTION	DYNASCAN PART NO.
C-44	Capacitor, Semi-conductor (SR) 0.047 μ F 25V K	
C-45	Capacitor, Semi-conductor (SR) 0.01 μ F 25V K	
C-46	Capacitor, Ceramic 22 pF 50V K SL	
C-47	Capacitor, Ceramic 390 pF 50V K SL	
C-48	Capacitor, Ceramic 150 pF 50V K SL	
C-49	Capacitor, Ceramic 47 pF 50V K CH	
C-50	-Not used-	
C-51	Capacitor, Ceramic 470 pF 50V K SL	
C-52	Capacitor, Electrolytic 330 μ F 6.3V M C-095	
C-53	Capacitor, Ceramic 0.001 μ F 50V Z YF	
C-54	Capacitor, Ceramic 68 pF 50V K UJ	
C-55	Capacitor, Semi-conductor (SR) 0.1 μ F 25V K	
C-56	-Not used-	
C-57	Capacitor, Ceramic 0.0022 μ F 50V M YD	
C-58	Capacitor, Ceramic 33 pF 50V K RH	
C-59	Capacitor, Ceramic 220 pF 50V K UJ	
C-60	-Not used-	
C-61	Capacitor, Ceramic 15 pF 50V K SL	
C-62	Capacitor, Ceramic 150 pF 50V K UJ	
C-63	Capacitor, Semi-conductor (SR) 0.01 μ F 25V K	
C-64	-Not used-	
C-65	Capacitor, Semi-conductor (SR) 0.01 μ F 25V K	
C-66	-Not used-	
C-67	Capacitor, Electrolytic 470 μ F 25V	
C-68	Capacitor, Semi-conductor (SR) 0.1 μ F 25V K	
C-69	Capacitor, Electrolytic 47 μ F 10V	
C-70	-Not used-	
C-71	Capacitor, Electrolytic 22 μ F 16V	
C-72	Capacitor, Electrolytic 10 μ F 16V	
C-73	Capacitor, Electrolytic 1000 μ F 25V M C-095	
C-74	Capacitor, Semi-conductor (SR) 0.0022 μ F 25V K	
C-75	Capacitor, Semi-conductor (SR) 0.0047 μ F 25V K	
C-76	Capacitor, Electrolytic 47 μ F 10V	
C-77	Capacitor, Semi-conductor (SR) 0.0047 μ F 25V K	
C-78	Capacitor, Electrolytic 47 μ F 10V	
C-79	Capacitor, Semi-conductor (SR) 0.01 μ F 25V K	
C-80	-Not used-	
C-81	-Not used-	
C-82	Capacitor, Ceramic 270 pF 50V K UJ	
C-83	Capacitor, Ceramic 47 pF 50V K UJ	
C-84	Capacitor, Ceramic 220 pF 50V K UJ	
C-85	Capacitor, Ceramic 0.001 μ F 50V K YB (B)	
C-86	Capacitor, Ceramic 0.01 μ F 50V Z YF	
C-87	Capacitor, Ceramic 270 pF 50V K UJ	
C-88	-Not used-	
C-89	Capacitor, Ceramic 68 pF 50V K UJ	
C-90	Capacitor, Ceramic 0.0047 μ F 50V Z YF	
C-91	Capacitor, Ceramic 0.01 μ F 50V Z YF	
C-92	Capacitor, Ceramic 0.0047 μ F 50V M YD	
C-93	Capacitor, Electrolytic 47 μ F 10V	
C-94	-Not used-	
C-95	Capacitor, Ceramic 0.01 μ F 50V Z YF	
C-96	Capacitor, Ceramic 0.5 pF 50V C SL	
C-97	Capacitor, Ceramic 0.01 μ F 50V Z YF	
C-98	Capacitor, Ceramic 5 pF 50V C SL	
C-99	Capacitor, Ceramic 5 pF 50V C SL	
C-100	Capacitor, Ceramic 0.001 μ F 50V Z YF	
C-101	Capacitor, Ceramic 0.01 μ F 50V Z YF	

REF. NO.	DESCRIPTION	DYNASCAN PART NO.
C-102	Capacitor, Ceramic 100 pF 50V K SL	
C-103	Capacitor, Ceramic 0.001 μ F 50V Z YF	
C-104	Capacitor, Ceramic 1 pF 50V C SL	
C-105	Capacitor, Electrolytic 1 μ F 50V	
C-106	Capacitor, Ceramic 100 pF 50V K SL	
C-107	-Not used-	
C-108	-Not used-	
C-109	-Not used-	
C-110	Capacitor, Ceramic 0.001 μ F 50V Z YF	
C-111	Capacitor, Ceramic 0.001 μ F 50V Z YF	
C-112	Capacitor, Electrolytic 2.2 μ F 50V	
C-113	-Not used-	
C-114	Capacitor, Electrolytic 100 μ F 10V	
C-115	Capacitor, Electrolytic 0.47 μ F 50V	
C-116	Capacitor, Electrolytic 100 μ F 10V	
C-117	Capacitor, Ceramic 220 pF 50V K SL	
C-118	Capacitor, Electrolytic 100 μ F 10V	
C-119	Capacitor, Ceramic 560 pF 50V K SL	
C-120	Capacitor, Electrolytic 22 μ F 16V	
C-121	Capacitor, Semi-conductor (SR) 0.047 μ F 25V K	
C-122	-Not used-	
C-123	Capacitor, Electrolytic 47 μ F 10V	
C-124	Capacitor, Semi-conductor (SR) 0.01 μ F 25V K	
C-125	Capacitor, Ceramic 0.047 μ F 25V Z ZF	
C-126	Capacitor, Electrolytic 10 μ F 16V	
C-127	Capacitor, Electrolytic 10 μ F 16V	
C-128	-Not used-	
C-129	Capacitor, Ceramic 0.001 μ F 50V Z YF	
C-130	-Not used-	
C-131	Capacitor, Ceramic 0.001 μ F 50V Z YF	
C-132	-Not used-	
C-133	-Not used-	
C-134	Capacitor, Ceramic 56 pF 50V K SL	
C-135	Capacitor, Ceramic 0.0047 μ F 50V Z YF	
C-136	-Not used-	
C-137	Capacitor, Ceramic 0.001 μ F 50V Z YF	
C-138	Capacitor, Electrolytic 1 μ F 50V	
C-139	Capacitor, Electrolytic 220 μ F 10V	
C-140	-Not used-	
C-141	Capacitor, Ceramic 0.0047 μ F 50V Z YF	
C-142	-Not used-	
C-143	Capacitor, Ceramic 0.001 μ F 50V Z YF	
C-144	Capacitor, Ceramic 0.001 μ F 50V Z YF	
C-145	Capacitor, Ceramic 0.047 μ F 25V Z ZF	
C-146	Capacitor, Ceramic 0.047 μ F 25V Z ZF	
C-147	Capacitor, Ceramic 0.047 μ F 25V Z ZF	
C-148	Capacitor, Ceramic 0.047 μ F 25V Z ZF	
C-149	Capacitor, Ceramic 0.047 μ F 25V Z ZF	
C-150	Capacitor, Ceramic 0.047 μ F 25V Z ZF	
C-151	Capacitor, Ceramic 0.001 μ F 50V Z YF	
C-152	Capacitor, Ceramic 0.001 μ F 50V Z YF	
C-153	Capacitor, Ceramic 0.001 μ F 50V Z YF	
C-154	Capacitor, Ceramic 0.001 μ F 50V K YB (B)	
C-155	Capacitor, semi-conductor (SR) 0.047 μ F 25VK	
C-156	Capacitor, Ceramic 56 pF 50V K CH	
C-501	Capacitor, Ceramic 180 pF 50V K UJ	
C-552	Capacitor, Ceramic 0.0047 μ F 50V Z YF	
C-553	Capacitor, Ceramic 0.0047 μ F 50V Z YF	

REF. NO.	DESCRIPTION	DYNASCAN PART NO.
C-554	Capacitor, Ceramic 0.0047 μ F 50V Z YF	
DIODES		
D-1	Diode 1N60 AM	150-014-9-001
D-2	Diode	
D-3	Diode 1S1555	
D-4		- Not used -
D-5	Diode 1N60 AM	150-014-9-001
D-6		- Not used -
D-7	Diode 1S1555	151-028-9-007
D-8	Diode 1S2076A	151-101-9-001
D-9	Diode 1N60 AM	150-014-9-001
D-10	Diode 1S1555	151-028-9-007
D-11	Diode 1S1555	151-028-9-007
D-12	Diode 1S1555	151-028-9-007
D-13		- Not used -
D-14	Diode, Zener HZ6A-3	152-156-9-001
D-15	Diode 1S1555	151-028-9-007
D-16	Diode 1S1555	151-028-9-007
D-17	Diode, Zener HZ6A-3	152-156-9-001
D-18	Diode 1SV73-EB	151-137-9-001
D-19	Diode 1N4003	151-083-9-001
D-20	Diode 1S1555	151-028-9-007
D-21	Diode 1S1555	151-028-9-007
D-22	Diode 1S1555	151-028-9-007
D-23	Diode 1S1555	151-028-9-007
D-24	Diode 1S1555	
D-25	Diode 1S1555	
D-26	Diode 1S1555	
D-27	Diode 1S1555	
D-28		- Not used -
D-29		- Not used -
D-30		- Not used -
D-31	Diode 1S1555	151-028-9-007
D-32	Diode 1S1555	151-028-9-007
D-33		- Not used -
D-34		- Not used -
D-35	Diode 1N4003	151-083-9-001
D-36		- Not used -
D-37		- Not used -
D-38		- Not used -
D-39		- Not used -
D-40	Diode 1S1555	151-028-9-007
D-41	Diode 1S1555	151-028-9-007
D-42	Diode 1S1555	
D-43	Diode 1S1555	
D-44	Diode 1S1555	
D-45	Diode 1S1555	
D-352	Diode LED RT-242 YS	158-070-9-004
D-353	Diode LED RT-242 YS	158-070-9-004
D-354	Diode LED RT-242 PRS	158-070-9-003
D-355	Diode LED RT-242 PRS	158-070-9-003
D-356	Diode LED RT-242 PRS	158-070-9-003
D-362	Diode LED RT-242 PRS	158-070-9-003
D-363	Diode LED RT-242 SGS	158-070-9-002
D-364	Diode LED RT-242 SGS	158-070-9-002

REF. NO.	DESCRIPTION	DYNASCAN PART NO.
D-365	Diode LED RT-242 SGS	158-070-9-002
D-366	Diode LED RT-242 SGS	158-070-9-002
D-367	Diode LED RT-242 SGS	158-070-9-002
D-368	Diode LED RT-242 SGS	158-070-9-002
D-369	Diode LED RT-242 SGS	158-070-9-002
D-370	Diode LED RT-242 SGS	158-070-9-002
D-371	Diode LED LL-2253 YG	158-070-9-001
INTEGRATED CIRCUITS		
IC-1	Integrated Circuit UPC1242H	307-415-9-001
IC-2	Integrated Circuit SM5123A	307-415-9-004
IC-3	Integrated Circuit LB1710	307-415-9-003
IC-4	Integrated Circuit TA7310P-U	307-328-9-001
IC-5	Integrated Circuit LB1417	307-415-9-005
IC-6	Integrated Circuit HA17808W	307-415-9-002
JACKS		
J-3	Jack JK-089, HSJ0615	773-086-9-001
J-4	Jack JK-089, HSJ0615	773-086-9-001
J-351	Jack JK-328, 5551-10	777-050-9-007
J-352	Jack JK-328, 5551-18	777-051-9-002
J-501	Jack, ANT JK-230, M-BR-23D	777-050-9-004
J-502	Jack JK-325, 4S-L-D107	777-050-9-005
J-503	- Not used -	
J-504	- Not used -	
J-505	Jack JK-329	777-050-9-009
J-551	Jack JK-221, 10P	777-050-9-002
J-552	Jack JK-221, 18P	777-051-9-001
COILS		
L-1	Coil LA-181, TKAC-19073N	060-024-9-002
L-2	Coil LA-029, TKXN-22160BU	060-023-9-001
L-3	Coil LA-260, TKXN-25114N	060-030-9-014
L-4	Coil LA-120, TKAC-24073F	046-037-9-001
L-5	Coil LA-277, TKAC-25365N	046-025-9-004
L-6	Coil LA-163, ROC-42066N	060-022-9-001
L-7	Coil LA-204, RMC-41997N	046-024-9-003
L-8	Coil LA-165, VTKXNA-XT231ZO-TW	044-046-9-001
L-9	Coil LA-166, TKXC-18501N	066-025-9-005
L-10	Coil LE-096, 8 1/2T	047-044-9-001
L-11	Coil LE-096, 8 1/2T	047-044-9-001
L-12	Coil LC-074	044-040-9-002
L-13	Coil LD-168	041-083-9-003
L-14	Coil LE-151, C-7931 D4.06 1/2T	041-128-9-001
L-15	Coil LA-208, TKXC-24341AC	060-029-9-004
L-16	Coil LA-088, TKXC-24124N	066-019-9-002
L-17	Coil LA-260, TKXC-25114N	060-030-9-014
L-18	Coil LA-373, TKXC-28319Y	047-004-9-002
L-19	Coil LD-087, BFO4-3*5*1	047-045-9-001

REF. NO.	DESCRIPTION	DYNASCAN PART NO.
FIXED RESISTORS		
NOTE: Resistor tolerance: J =±5% K =±10%		
R-1 R-2 R-3 R-4 R-5 R-6 R-7 R-8 R-9 R-10 R-11 R-12 R-13 R-14 R-15 R-16 R-17 R-18 R-19 R-20 R-21 R-22 R-23 R-24 R-25 R-26 R-27 R-28 R-29 R-30 R-31 R-32 R-33 R-34 R-35 R-36 R-37 R-38 R-39 R-40 R-41 R-42 R-43 R-44 R-45 R-46 R-47 R-48 R-54 R-55 R-56 R-57	Resistor, Carbon Formed Vert 1M 1/8W J Resistor, Carbon Formed Vert 2.2K 1/8W J Resistor, Carbon Axial Lead 10K 1/8W J Resistor, Carbon Formed Vert 2.2M 1/8W J Resistor, Carbon Formed Vert 10K 1/8W J Resistor, Carbon Formed Vert 1K 1/8W J Resistor, Carbon Formed Vert 47K 1/8W J Resistor, Carbon Formed Vert 100K 1/8WJ Resistor, Carbon Axial Lead 47K 1/6W J -Not used- Resistor, Carbon Formed Vert 1K 1/8W J Resistor, Carbon Formed Vert 3.3K 1/8W J Resistor, Carbon Formed Vert 18K 1/8W J Resistor, Carbon Formed Vert 100 1/8W J Resistor, Carbon Formed Vert 6.8K 1/8W J Resistor, Carbon Axial Lead 3.3K 1/8W J Resistor, Carbon Formed Vert 100 1/8W J Resistor, Carbon Formed Vert 470 1/8W J Resistor, Carbon Formed Vert 470 1/8W J -Not used- Resistor, Carbon Formed Vert 680 1/8W J Resistor, Carbon Axial Lead 10K 1/8W J Resistor, Carbon Axial Lead 2.2K 1/8W J Resistor, Carbon Axial Lead 1K 1/8W J Resistor, Carbon Formed Vert 150K 1/8W J Resistor, Carbon Formed Vert 100 1/8W J Resistor, Carbon Formed Vert 2.2K 1/8W J Resistor, Carbon Formed Vert 1K 1/8W J Resistor, Carbon Formed Vert 47K 1/8W J Resistor, Carbon Formed Vert 0.5K 1/8W J Resistor, Carbon Axial Lead 2.2K 1/8W J Resistor, Carbon Formed Vert 100 1/8W J Resistor, Carbon Axial Lead 47 1/8W J Resistor, Carbon Formed Vert 68K 1/8W J Resistor, Carbon Formed Vert 68K 1/8W J Resistor, Carbon Formed Vert 56K 1/8W J Resistor, Carbon Formed Vert 3.3K 1/8W J Resistor, Carbon Axial Lead 39K 1/8W J Resistor, Carbon Formed Vert 560K 1/8W J -Not used- Resistor, Carbon Formed Vert 82K 1/8W J Resistor, Carbon Formed Vert 68K 1/8W J Resistor, Carbon Formed Vert 2.2M 1/8W J Resistor, Carbon Formed Vert 1K 1/8W J Resistor, Carbon Formed Vert 1K 1/8W J Resistor, Carbon Formed Vert 22K 1/8W J -Not used- Resistor, Carbon Axial Lead 10K 1/8W J Resistor, Carbon Formed Vert 1.5K 1/8W J Resistor, Carbon Formed Vert 820K 1/8W J Resistor, Carbon Formed Vert 56 1/8W J Resistor, Carbon Axial Lead 270 1/8W J	

REF. NO.	DESCRIPTION	DYNASCAN PART NO.
R-58	Resistor, Carbon Axial Lead 1.5K 1/8W J	
R-59	Resistor, Carbon Formed Vert 220K 1/8W J	
R-60	Resistor, Carbon Axial Lead 3.3K 1/8W J	
R-61	Resistor, Carbon Formed Vert 3.3K 1/8W J	
R-62	Resistor, Carbon Formed Vert 1.5K 1/8W J	
R-63	-Not used-	
R-64	Resistor, Carbon Formed Vert 10K 1/8W J	
R-65	Resistor, Carbon Formed Vert 3.3K 1/8W J	
R-66	Resistor, Carbon Formed Vert 100 1/8W J	
R-67	Resistor, Carbon Formed Vert 10K 1/8W J	
R-68	Resistor, Carbon Formed Vert 1.5K 1/8W J	
R-69	Resistor, Carbon Formed Vert 82 1/8W J	
R-70	Resistor, Carbon Axial Lead 10K 1/8W J	
R-71	Resistor, Carbon Formed Vert 330 1/8W J	
R-72	Resistor, Carbon Formed Vert 82K 1/8W J	
R-73	Resistor, Carbon Formed Vert 2.7K 1/8W J	
R-74	Resistor, Carbon Axial Lead 22K 1/8W J	
R-75	Resistor, Carbon Axial Lead 330 1/8W J	
R-76	Resistor, Carbon Formed Vert 39K 1/8W J	
R-77	Resistor, Carbon Formed Vert 4.7K 1/8W J	
R-78	Resistor, Carbon Axial Lead 390K 1/8W J	
R-79	Resistor, Carbon Formed Vert 1.5K 1/8W J	
R-80	Resistor, Carbon Formed Vert 3.3K 1/8W J	
R-81	Resistor, Carbon Formed Vert 1 5 1/8W J	
R-82	Resistor, Carbon Formed Vert 22K 1/8W J	
R-83	Resistor, Carbon Formed Vert 56K 1/8W J	
R-84	Resistor, Carbon Formed Vert 10K 1/8W J	
R-85	Resistor, Carbon Formed Vert 3.3K 1/8W J	
R-86	Resistor, Carbon Formed Vert 2.7K 1/8W J	
R-87	Resistor, Carbon Formed Vert 3.3K 1/8W J	
R-88	Resistor, Carbon Formed Vert 1M 1/8W J	
R-89	Resistor, Carbon Formed Vert 470 1/8W J	
R-90	Resistor, Carbon Formed Vert 100K 1/8W J	
R-91	Resistor, Carbon Formed Vert 10K 1/8W J	
R-92	-Not used-	
R-93	Resistor, Carbon Axial Lead 56K 1/6W J	
R-94	Resistor, Carbon Formed Vert 330 1/8W J	
R-95	Resistor, Carbon Formed Vert 1K 1/8W J	
R-96	Resistor, Carbon Formed Vert 3.3K 1/8W J	
R-97	Resistor, Carbon Axial Lead 100 1/8W J	
R-98	Resistor, Carbon Axial Lead 100 1/8W J	
R-99	Resistor, Carbon Axial Lead 100 1/8W J	
R-100	-Not used-	
R-101	Resistor, Carbon Axial Lead 100 1/8W J	
R-102	Resistor, Carbon Axial Lead 100 1/8W J	
R-103	Resistor, Carbon Axial Lead 100 1/8W J	
R-104	Resistor, Carbon Axial Lead 100 1/8W J	
R-105	Resistor, Carbon Formed Vert 22K 1/8W J	
R-106	-Not used-	
R-107	Resistor, Carbon Axial Lead 2.2K 1/2W J	
R-108	Resistor, Carbon Formed Vert 560 1/8W J	
R-115	Resistor, Carbon Formed Vert 1 1/8W J	
R-116	Resistor, Carbon Axial Lead 10 1/8W J	
R-117	Resistor, Carbon Formed Vert 27 1/8W J	
R-118	Resistor, Carbon Formed Vert 10 1/8W J	
R-119	Resistor, Carbon Formed Vert 330 1/8W J	
R-120	Resistor, Carbon Axial Lead 10 1/8W J	
R-121	Resistor, Carbon Formed Vert 1.5K 1/8W J	

REF. NO.	DESCRIPTION	DYNASCAN PART NO.
R-122	Resistor, Carbon Formed Vert 220 1/8W J	
R-123	Resistor, Carbon Formed Vert 100 1/8W J	
R-124	Resistor, Carbon Formed Vert 560 1/8W J	
R-125	Resistor, Carbon Formed Vert 10K 1/8W J	
R-126	Resistor, Carbon Formed Vert 1.5K 1/8W J	
R-127	Resistor, Carbon Formed Vert 3.3K 1/8W J	
R-128	Resistor, Carbon Formed Vert 100K 1/8WJ	
R-129	Resistor, Carbon Formed Vert 2.2K 1/8W J	
R-130	-Not used-	
R-131	Resistor, Carbon Formed Vert 47K 1/8W J	
R-132	Resistor, Carbon Formed Vert 2.2K 1/8W J	
R-133	Resistor, Carbon Formed Vert 1.5K 1/8W J	
R-134	Resistor, Carbon Formed Vert 10K 1/8W J	
R-135	Resistor, Carbon Formed Vert 2.7K 1/8W J	
R-136	-Not used-	
R-137	Resistor, Carbon Formed Vert 39K 1/8W J	
R-138	-Not used-	
R-139	Resistor, Carbon Formed Vert 2.2K 1/8W J	
R-140	-Not used-	
R-141	Resistor, Carbon Formed Vert 100K 1/8WJ	
R-142	Resistor, Carbon Formed Vert 10K 1/8W J	
R-143	Resistor, Carbon Formed Vert 820 1/8W J	
R-144	Resistor, Carbon Formed Vert 220 1/8W J	
R-145	Resistor, Carbon Formed Vert 220 1/8W J	
R-146	Resistor, Carbon Formed Vert 220 1/8W J	
R-147	Resistor, Carbon Formed Vert 220 1/8W J	
R-148	Resistor, Carbon Formed Vert 220 1/8W J	
R-149	-Not used-	
R-150	-Not used-	
R-151	Resistor, Carbon Formed Vert 470 1/8W J	
R-152	Resistor, Carbon Formed Vert 8.2K 1/8W J	
R-153	-Not used-	
R-154	Resistor, Carbon Formed Vert 6.8K 1/8W J	
R-155	-Not used-	
R-156	-Not used-	
R-157	Resistor, Carbon Formed Vert 1.5K 1/8W J	
R-158	Resistor, Carbon Formed Vert 33K 1/8W J	
R-159	-Not used-	
R-160	-Not used-	
R-161	Resistor, Carbon Axial Lead 1.5K 1/8W J	
R-162	-Not used-	
R-163	-Not used-	
R-164	Resistor, Carbon Axial Lead 10K 1/8W J	
R-169	Resistor, Carbon Formed Vert 100 1/8W J	
R-170	-Not used-	
R-171	Resistor, Metal Oxide, 2.7 2W J	011-102-5-279
R-172	Resistor, Metal Oxide, 15 2W J	011-002-5-150
R-173	Resistor, Carbon Formed Vert 47 1/8W J	
R-174	Resistor, Carbon Formed Vert 68 1/8W J	
R-175	Resistor, Carbon Axial Lead 10K 1/8W J	
R-176	Resistor, Carbon Formed Vert 3.3K 1/8W J	
R-551	Resistor, Carbon Axial Lead 330 1/6W J	
R-552	Resistor, Carbon Axial Lead 330 1/6W J	
R-553	-Not used-	
R-554	Resistor, Carbon Formed Vert 220 1/6W J	
R-555	Resistor, Carbon Axial Lead 220 1/6W J	
R-556	Resistor, Carbon Axial Lead 220 1/6W J	
R-557	Resistor, Carbon Formed Vert 220 1/6W J	

REF. NO.	DESCRIPTION	DYNASCAN PART NO.
R-558	Resistor, Carbon Formed Vert 220 1/6W J	
R-559	Resistor, Carbon Formed Vert 3.3K 1/6W J	
R-560	Resistor, Carbon Formed Vert 10K 1/6W J	
R-561	Resistor, Carbon Formed Vert 12K 1/6W J	
R-562	Resistor, Carbon Axial Lead 680 1/6W J	
TRANSISTORS		
TR-1	Transistor DB-259 2SC1675-L	176-065-9-001
TR-2	Transistor DB-259 2SC1675-L	176-065-9-001
TR-3	Transistor DB-224 2SC945A-Q	176-062-9-001
TR-4	Transistor DB-003 2SA733-P	177-020-9-001
TR-5	Transistor DB-224 2SC945A-Q	176-062-9-001
TR-6	Transistor DB-259 2SC1675-L	176-065-9-001
TR-7	Transistor DB-259 2SC1675-L	176-065-9-001
TR-8	Transistor DB-295 2SC1674-L	176-081-9-002
TR-9	Field Effect Transistor DC-019 2SK192A-BL	182-076-9-001
TR-10	Transistor DB-259 2SC1675-L	176-065-9-001
TR-11	Transistor DB-259 2SC1675-L	176-065-9-001
TR-12	Transistor DB-301 2SC941TM-O	176-089-9-004
TR-13	Transistor DB-224 2SC945A-Q	176-062-9-001
TR-14	Transistor DB-224 2SC945A-Q	176-062-9-001
TR-15	Transistor DB-224 2SC945A-Q	176-062-9-001
TR-16	- Not used -	
TR-17	Transistor DB-224 2SC945A-Q	176-062-9-001
TR-18	Transistor DB-106 2SB525-C	177-045-9-001
TR-19	Transistor DB-003 2SA733-P	177-020-9-001
TR-20	Transistor DB-106 2SB525-C	177-045-9-001
TR-21	Transistor DB-383 2SC3242A-E	176-191-9-001
TR-22	Transistor DB-224 2SC945A-Q	176-062-9-001
TR-23	Transistor DB-259 2SC1675-L	176-065-9-001
TR-24	Transistor DB-259 2SC1675-L	176-065-9-001
TR-25	Transistor DB-259 2SC1675-L	176-065-9-001
TR-26	Transistor DB-224 2SC945A-Q	176-062-9-001
TR-27	Transistor DB-224 2SC945A-Q	176-062-9-001
TR-28	Transistor DB-228 2SC2086-D	176-108-9-002
TR-29	Transistor DB-301 2SC941TM-O	176-089-9-004
TR-30	Transistor DB-224 2SC945A-Q	176-062-9-001
TR-31	Transistor DB-003 2SA733-P	177-020-9-001
TR-32	Transistor DB-224 2SC945A-Q	176-062-9-001
TR-33	Transistor DB-224 2SC945A-Q	176-062-9-001
TR-34	Transistor DB-003 2SA733-P	177-020-9-001
TR-39	Transistor DB-383 2SC3242A-E	176-191-9-001
TR-40	Transistor DB-224 2SC945A-Q	176-062-9-001
TR-501	Transistor DB-331 2SC2166-C	176-108-9-001
TR-551	Transistor DB-224 2SC945A-Q	176-062-9-001
VARIABLE RESISTORS		
VR-1	Resistor, Semi-fixed RT-182 TT 24R 50KB	008-455-9-001
VR-2	Resistor, Semi-fixed RT-182 TT 24R 100KB	008-465-9-003
VR-3	Resistor, Semi-fixed RT-182 TT 24R 200KB	008-465-9-005
VR-501	Resistor, Variable RV-616 RK161121 50KA W/SW	008-843-9-006
VR-502	Resistor, Variable RV-615 RK1631120A3LA 50KB	008-843-9-005
VR-503	Resistor, Variable RV-614 RK1631120A3MA 1KA	008-843-9-004
VR-504	Resistor, Variable RV-613 RK1631120A3NA	008-843-9-003

REF. NO.	DESCRIPTION	DYNASCAN PART NO.
TRANSFORMER		
T-1 T-2	Transformer, Output TF-177 Transformer, AF Choke TF-083	061-050-9-001 042-021-9-001
CRYSTALS		
X-1	Crystal QX-074, 10.240	132-027-9-001
MISCELLANEOUS		
FT-1 FT-2 MC-951 SP-501 S-351 S-352 S-503 WA-951	Filter Crystal FL-055 10M-7A1 Filter Ceramic FL-009 CFU-455H2 Microphone MK-341 Speaker SP-053 Switch, Tact SW-539 M-6050 Switch, Tact SW-539 M-6050 Switch, Push SW-536 PV1304-002 DC Cord (3-Core) WZ-383 1515W/P	143-011-9-001 140-009-9-001 561-008-9-001 580-073-9-001 084-155-9-011 084-155-9-011 088-148-9-001 426-107-9-001

VOLTAGE CHART

Measurement Conditions:

Power supply voltage:	13.8 V
ANT output impedance:	50 Ω
Test Temperature	25°C
SSG Modulation:	1 kHz, 30%
SSG Output level:	0 dB = 0.5 μ V
Standard audio Output	0.5W
Standard output frequency	1 kHz
Audio load:	8 Ω
Measurement channel:	19 CH (27.185 MHz)

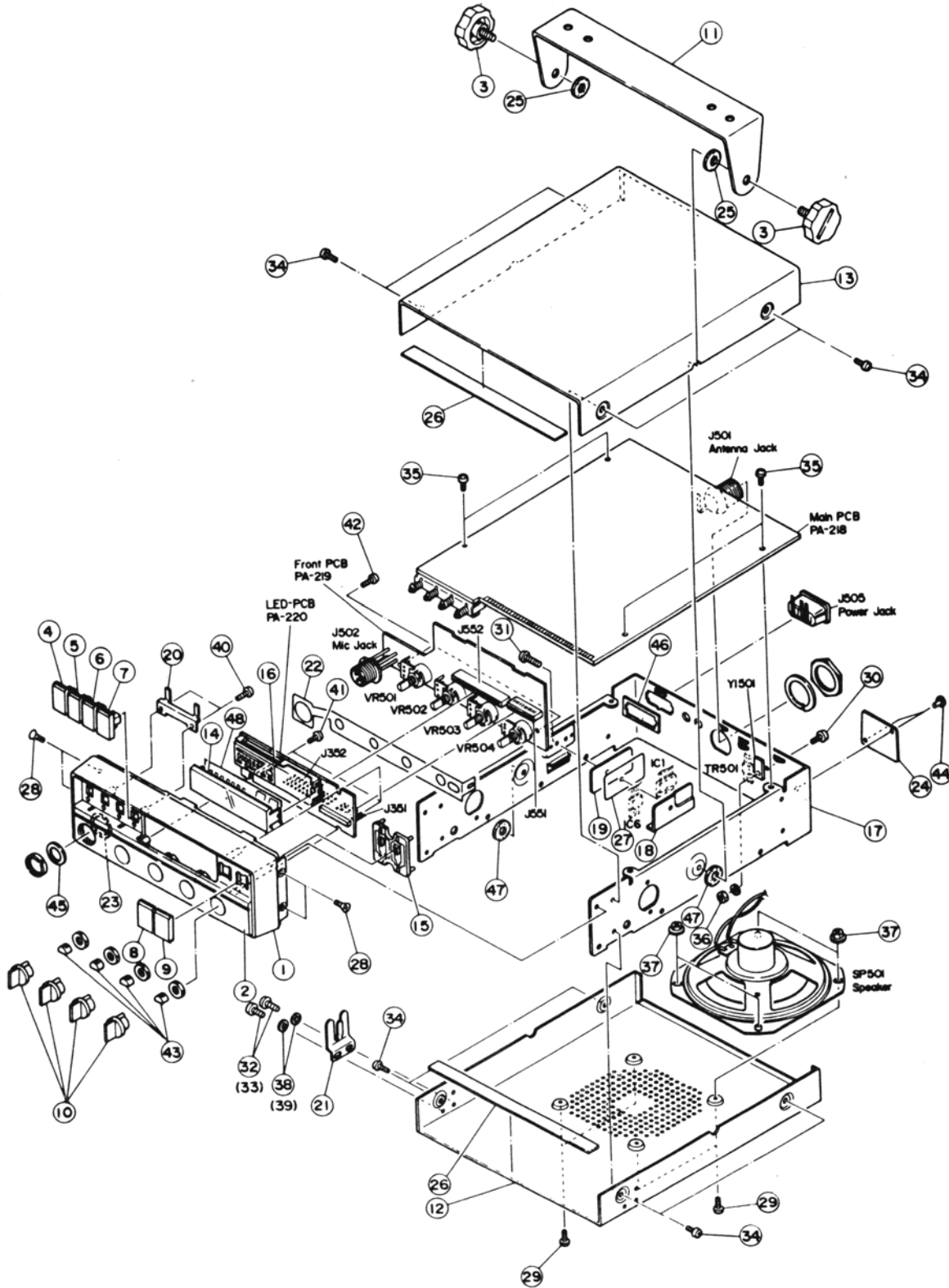
Unless otherwise specified, set controls as follows:

N B:	OFF
P A:	OFF
D I M:	OFF
C H 9:	OFF
VOLUME:	MAX
SQUELCH:	MIN
DYNAMIKE:	MAX
RF GAIN:	MAX

MECHANICAL PARTS LIST

REF. NO.	DESCRIPTION	DYNASCAN PART NO.
MISCELLANEOUS (Continued)		
1	Panel, Front ABS, Black	380-539-9-001
2	Control Plate ABS, CR	380-539-9-002
3	Screw, Mounting ABS INST CLR, Black	634-204-9-001
4	Button, Push	384-075-9-003
5	Button, Push	384-075-9-004
6	Button, Push	384-075-9-006
7	Button, Push	384-075-9-007
8	Button, Push	384-075-9-008
9	Button, Push	384-076-9-001
10	Knob ABS CR	751-313-9-001
11	Mounting Bracket SPCC, 1.6T, Black	250-197-9-001
12	Cover, Bottom VINYTOP, SB-KO8 1.0T, Black	252-055-9-001
13	Cover, Top VINYTOP, SB-KO8 1.0T, Black	253-135-9-001
14	Window AS, Gray Smoke	
15	Support ABS, Black	
16	LED Housing ABS, Vanilla White	
17	Chassis SPCC, 1.0T, ZMC	
18	Holder, IC (B)	SECC, 1T Non Oil
19	Holder, IC (A)	ALP, 2T Non Oil
20	Holder, Switch	SECC, 1.0T
21	Hanger, Microphone SPCC, 1.0T, NI	
22	Shield Plate	ALP, 0.1T
23	Shield Plate	ALP, 0.1T
24	ID Plate, FCC	ALP, 0.5T
25	Washer, Rubber, Neoprene, Black, 7-15-2.0T	
26	Wool-coated Paper, Wool Tack, Wool paper, 10-150-0.3T	
27	Insulation Plate MYLAR 0.1T	
28	Screw, Flat HD +	M3×5 NI
29	Screw, Bind HD +	M3×8 BNI
30	Screw, Bind HD +	M3×8 NI
31	Screw, Bind HD +	M3×12 NI
32	Screw, Tapping Round HD +	D3.5×8 NI
33	Screw, Tapping Round HD +	D5×10 NI
34	Screw, Taptight Bind HD +	M3×6 BNI
35	Screw, Taptight Bind HD +	M3×6 NI
36	Hex Nut	M3.0 NI
37	Flange Nut	M3 NI
38	Washer, Lock	D3.5 NI
39	Washer, Star	D5 NI
40	Screw, P Tight Bind HD +	D3×8 NI
41	Screw, P Tight Bind HD +	D3×8 NI
42	Screw, P Tight Bind HD +	D3×8 NI
43	Spring Plate Knob	D6
44	Rivet, AL, ID Plate	D3.2×3.2
45	Washer SPT 0.35T	
46	Spacer, Connector PVC 0.5T	
47	Spacer Wool Tack 0.3T, Black	
48	Display Plate MYLAR 0.35T	

EXPLODED VIEW



TRANSISTOR VOLTAGE CHART

No.	NAME	B	C	E
1	2SC1675L	0 (0.12)	0 (6.8)	0 (0)
		0 (1.2)	0 (6.8)	0 (0)
2	2SC1675L	0 (6.8)	0 (8.2)	0 (6)
		0 (6.8)	0 (8.2)	0 (6)
3	2SC945AQ	0 (0)	0 (4.6)	0 (0)
		0 (0)	0 (4.6)	0 (0)
4	2SA733P	0 (8.2)	0 (0)	0 (8)
		0 (8.2)	0 (0)	0 (8)
5	2SC945AQ	0 (0)	0 (0)	0 (0)
		0 (0)	0 (0)	0 (0)
6	2SC1675L	0	0	0
		0	0	0.23
7	2SC1675L	0.12	0	0
		0	0	0
8	2SC1674L	1.1	7.4	0.2
		0.1	1.2	0
9	2SK192ABL	0	2.8	8
		0	2.8	8
10	2SC1675L	1	7.5	0.4
		0.06	1.2	0
11	2SC1675L	0.7	2.5	0
		0.1	0.95	0
12	2SC941TM(0)	2.5	1.3	1.8
		1	1	0.4
13	2SC945AQ	0 (0.6)	0.7 (0)	0 (0)
		0 (0.6)	0.36 (0.45)	0 (0)
14	2SC945AQ	0 (0.6)	0 (0)	0 (0)
		0.05 (0.7)	0 (0)	0 (0)
15	2SC945AQ	0.7 (0)	0.06 (4.6)	0 (0)
		0.65 (0.38)	0 (5.4)	0 (0)
17	2SC945AQ	0	7.5	0.125
		0	1.2	0
18	2SB525C	4 (3.2)	2 (1.7)	4.5 (3.5)
		4 (3.2)	2 (1.7)	4.5 (3.5)
19	2SA733P	4.5 (4.3)	4 (3)	4.5 (3.4)
		4.5 (4.3)	4 (3)	4.5 (3.4)
20	2SB525C	4.5 (4.3)	2 (1.7)	4.5 (3.4)
		4.5 (4.3)	2 (1.7)	4.5 (3.4)
21	2SC3242AE	5 (4.1)	8 (8.4)	4.5 (3.2)
		5 (4.1)	8 (8.4)	4.5 (3.2)
22	2SC945AQ	0.7	0	0
		0.7	0	0

No.	NAME	B	C	E
23	2SC1675L	5	7.5	5
		5	7.5	5
24	2SC1675L	6.5	7.7	6.5
		6.5	7.7	6.5
25	2SC1675L	0.16	6.4	0
		0.3	6	0
26	2SC945AQ	0.175	0	0
		0.65	0	0
27	2SC945AQ	0.1	3.8	0.26
		0	0.8	0
28	2SC2086D	0	13	0
		0	12	0
29	2SC941TM(0)	0.6 (0.66)	13.5 (0.2)	7.5 (7.5)
		3 (1.3)	12 (0.7)	2.5 (0.7)
30	2SC945AQ	8	8	7.4
		1.1	8.4	1.1
31	2SC945AQ	2	4.6	1.6
		2	4.6	1.6
32	2SC945AQ	2	4.6	1.6
		2	4.6	1.6
33	2SC945AQ	0.7	0	0
		0.1	0	0
34	2SA733P	4	0.7	3.5
		4	0.15	3.5
39	2SC3242AE	7.5 (3.8)	8 (8.4)	6.8 (3.7)
		6.8 (4.3)	8 (8.4)	6 (3.1)
40	2SC945AQ	1.4 (3.5)	7.4 (6.5)	7 (4)
		1.6 (2)	1 (1.2)	1 (1.3)
501	2SC2166C	0	13	0
		0	12	0
551	2SC945AQ	0.7	0.5	0
		0.5	4.2	0

IC VOLTAGE CHART

Pin No.	IC 2 PC1242H	IC 2 SM5123A	IC 3 LB1710	IC 4 TA7310PU	IC 5 LB1417	IC 6 HA17808W
1	0	3	2.9	2.3	8	13.5
	0	2.9	2.9	2.3	8	13.5
2	2	0.13	2.9	2.1	2.8	0
	2	0.13	2.9	2	2.8	0
3	1.2	0.13	0.13	1.2	2.8	8.2
	1.2	0.13	0.13	1.2	2.8	8.2
4	0	2.9	0.13	1.9	0	
	0	2.9	0.13	2.4	0.2	
5	0	0.13	2.9	0	0	
	0	0.13	2.9	0	0.55	
6	7	0.13	0.13	1.3	0.1	
	6.6	0.13	0.13	8	3.2	
7	12.5	2.9	0.13	1.9	0	
	12	2.9	0.13	2	0	
8	13	2.9	0	4.2	5	
	12	2.9	0	4.5	0.36	
9		0	5.6	1.3	5	
		0	5.6	6.5	0.78	
10		3	0.7		5	
		3	0.7		1.1	
11		3	0.7		5	
		2.9	0.7		0.68	
12		0	1.8		5	
		0	1.8		0.68	
13		1	0.7		5	
		1	0.7		0.45	
14		5.5	0.7		5	
		5.5	0.7		0.25	
15		0	1.8			
		0	1.8			
16		5.5	1.8			
		5.5	1.8			
17		2.3				
		3.8				
18		5.5				
		5.5				
19		4.5				
		0.7				
20		4.5				
		4.5				
21		4.5				
		4.5				

Pin No.	IC 2 PC1242H	IC 2 SM5123A	IC 3 LB1710	IC 4 TA7310PU	IC 5 LB1417	IC 6 HA17808W
22		4.5				
		4.5				
23		4.5				
		4.5				
24		0				
		0				

SEMI-CONDUCTOR LEAD IDENTIFICATION

Diodes A: ANODE
C: CATHODE

IN60AM
IN60P
IS2076A
IN4003
IS1555
ISV73-EB
HZ6A3

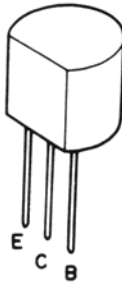


RT-242 PRS
RT-242 YS

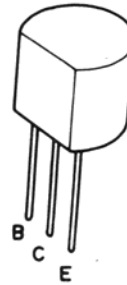


Transistors B: BASE
C: COLLECTOR
E: EMITTER

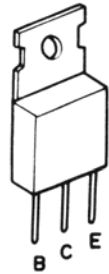
2SA733A-P
2SC941TM-O
2SC945A-Q
2SC1674-L
2SC1675-L
2SC3242A-E



2SB525-C
2SC2086-D



2SC2166-C

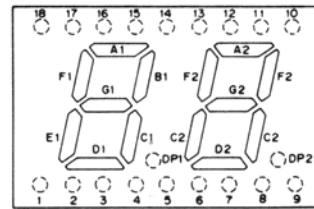


FET D: DRAIN
S: SOURCE
G: GATE

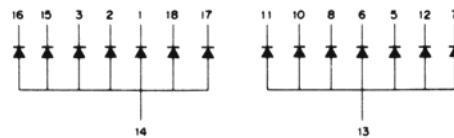
2SK192A-BL



LL-2253YG



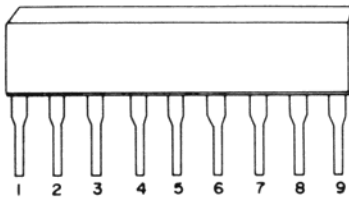
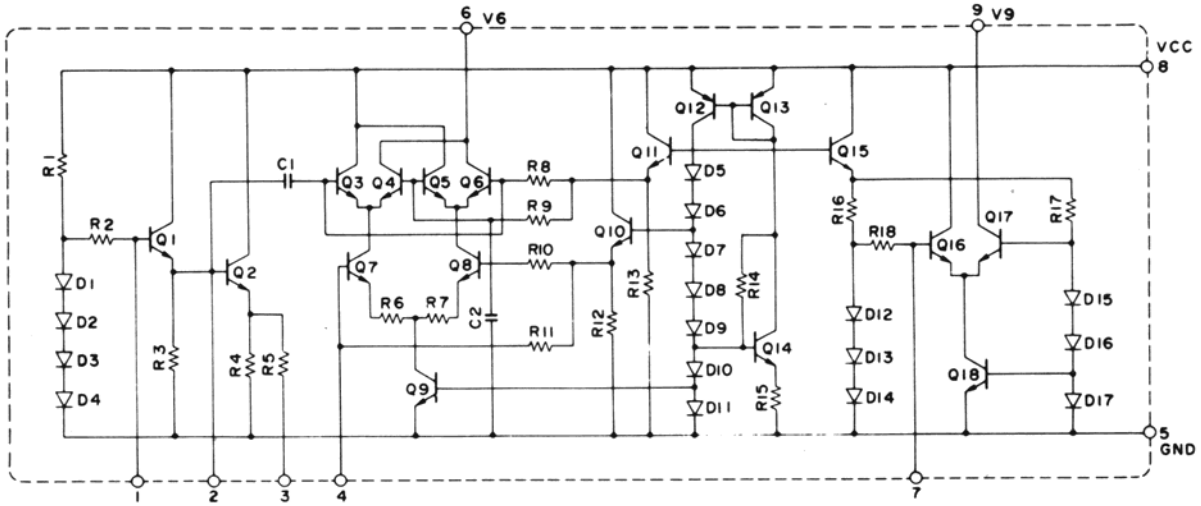
COMMON ANODE



Pin no.	Function	Pin no.	Function
1	E1 Cathode	10	B2 Cathode
2	D1 Cathode	11	A2 Cathode
3	C1 Cathode	12	F2 Cathode
4	NC Cathode	13	DIGIT 2 Anode
5	E2 Cathode	14	DIGIT 1 Anode
6	D2 Cathode	15	B1 Cathode
7	G2 Cathode	16	A1 Cathode
8	C2 Cathode	17	G1 Cathode
9	NC Cathode	18	F1 Cathode

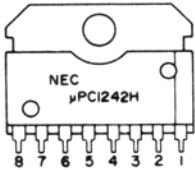
IC INTERNAL DIAGRAMS

TA7310P-U

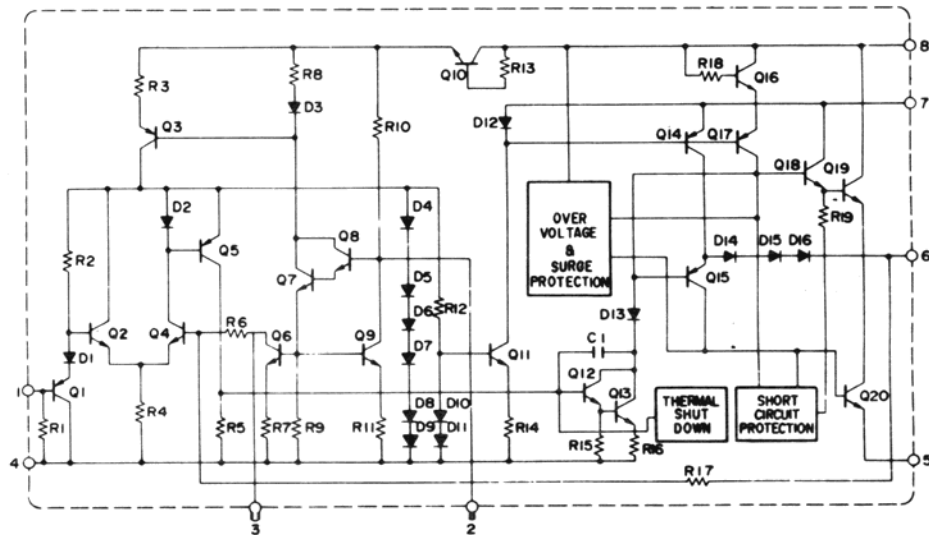


MARKING SIDE

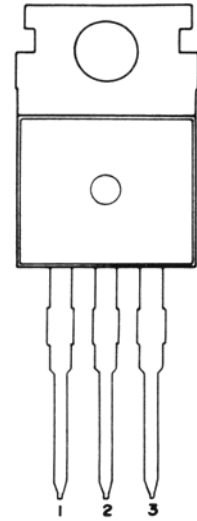
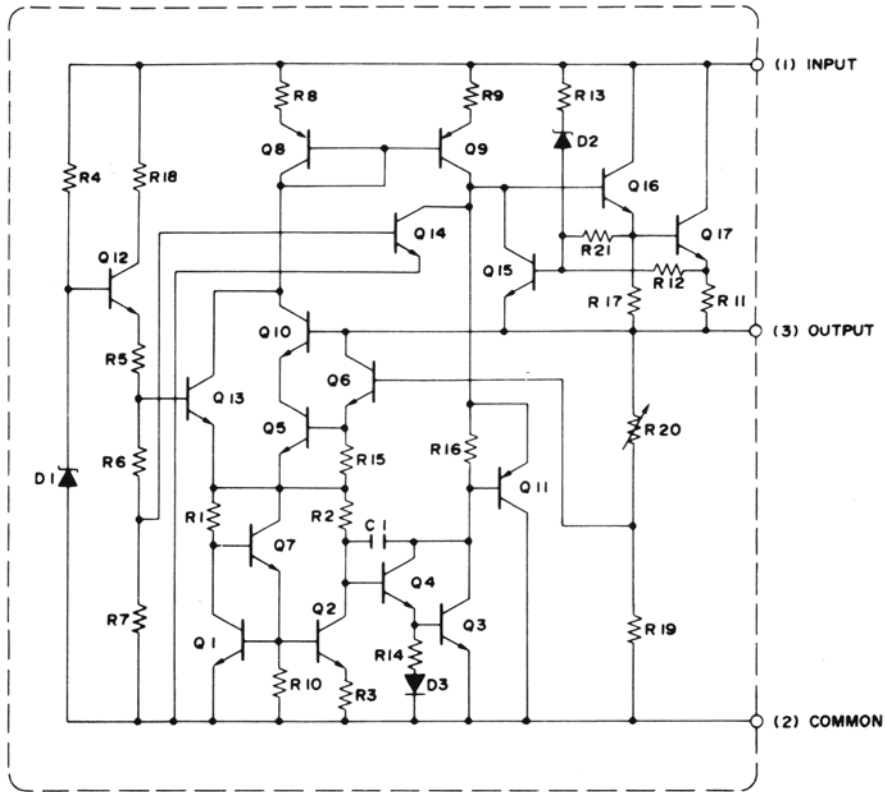
μPC1242H



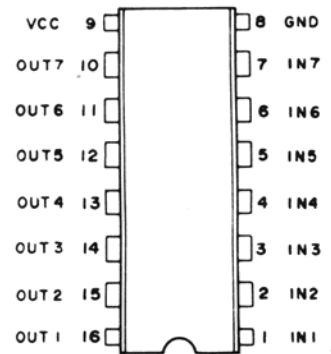
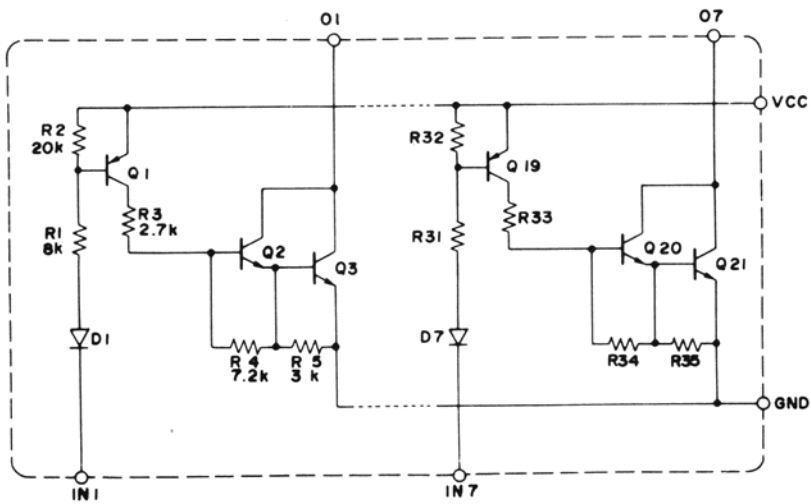
NO	μPC1242H
1	INPUT
2	RIPPLE FILTER
3	N. F. B.
4	GND
5	GND
6	OUTPUT
7	BOOTSTRAP
8	V+



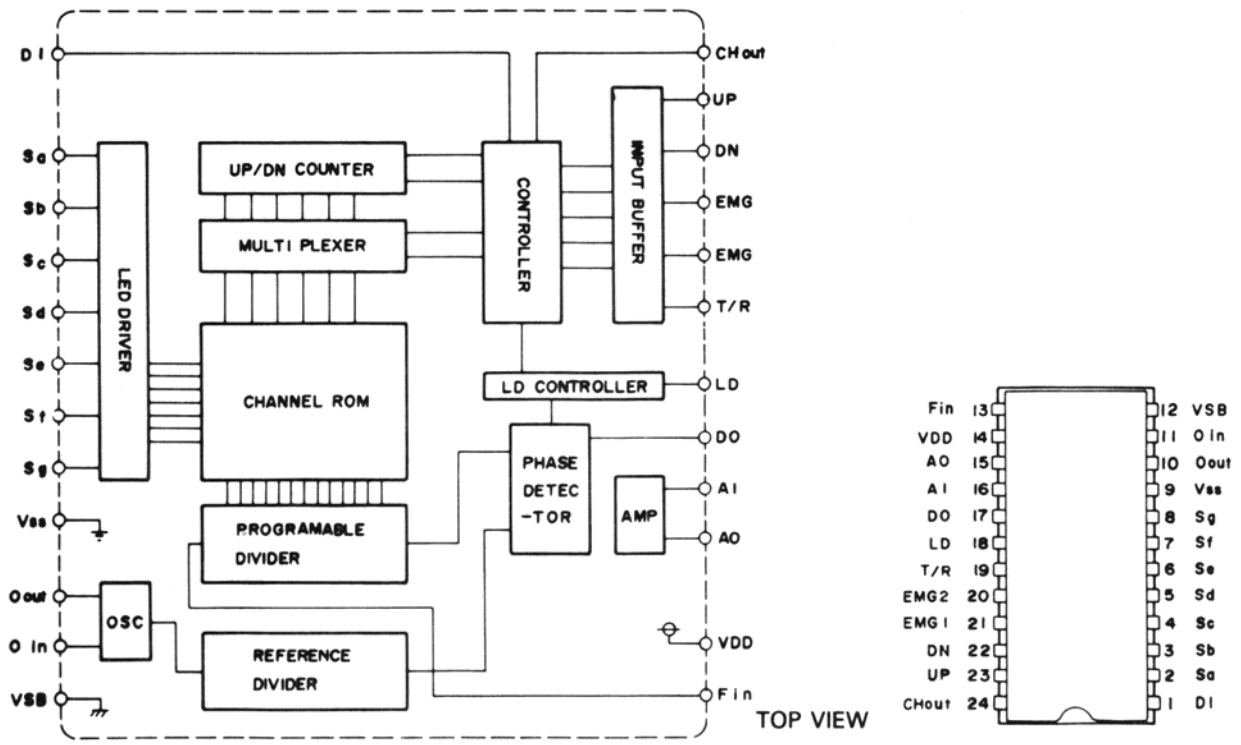
HA17808W



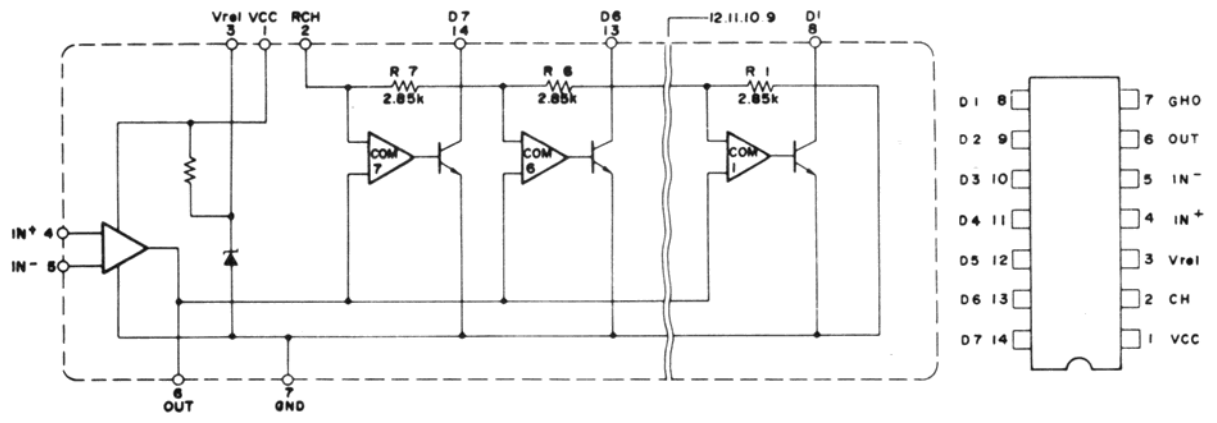
LB1710



SM5123A



LB1417



Reference No.	Manufacturer's Part Number	DYNASCAN Part Number	Reference No.	Manufacturer's Part Number	DYNASCAN Part Number
D001,005	BDAY0001001	150-014-9-001	L018	BLAY0373001	047-004-9-002
D008	BDAY0131001	151-101-9-001	L012	BLCY0074001	044-040-9-002
D019,035	BDAY0133001	151-083-9-001	L013	BLDY0033001	041-083-9-003
D002,003,006,007, 009-012,015,016, 020-027,031,032			L010,011	BLEY0096001	047-044-9-001
D018	BDAY0181001	151-028-9-007	L014	BLEY0151001	041-128-9-001
D014,017	BDAY0220001	151-137-9-001	MC951	BMKY0341001	561-008-9-001
D371	BDAY0269005	152-156-9-001	B001	BPAY0218AAZ	302-943-9-001
D363-370	BDAY0347001	158-070-9-001	B551	BPAY0219AAZ	302-944-9-001
D354-356,362	BDAY0348001	158-070-9-002	B351	BPAY0220AAZ	302-945-9-001
D352,353	BDAY0349001	158-070-9-003	X001	BQXY0074001	132-027-9-001
TR004,019,031, 034,552	BDBA0733115	177-020-9-001	R172	BRSJ201504Z	011-002-5-150
TR018,020	BDDB0525103	177-045-9-001	R171	BRSJ202794Z	011-002-5-279
TR012,029	BDBC0941523	176-089-9-004	VR002	BRTY0182104	008-465-9-003
TR003,005,013-015, 017,022,026,027, 030,032,033,040,551			VR003	BRTY0182204	008-465-9-005
TR008	BDBC0945507	176-062-9-001	VR001	BRTY0182503	008-455-9-003
TR001,002,006,007, 010,011,023,024,025	BDBC1674111	176-081-9-002	VR504	BRVY0613001	008-843-9-003
TR028	BDBC1675111	176-065-9-001	VR503	BRVY0614001	008-843-9-004
TR501	BDBC2086104	176-108-9-002	VR502	BRVY0615001	008-843-9-005
TR021,039	BDBC2166103	176-108-9-001	VR501	BRVY0616001	008-843-9-006
TR009	BDBC3242536	175-191-9-001	SP501	BSPY0053001	580-073-9-001
IC004	BDCB0192533	182-076-9-001	S503	BSWY0536001	088-148-9-001
IC001	BDEY0109002	307-328-9-001	S351,352	BSWY0539001	084-155-9-001
IC006	BDEY0471001	307-415-9-001	T002	BTFY0083001	042-021-9-001
IC003	BDEY0483001	307-415-9-002	T001	BTFY0177001	061-050-9-001
IC002	BDEY0742001	307-415-9-003	WA951	BWZY0383001	426-107-9-001
IC005	BDEY0743001	307-415-9-004		GCMF217709Z	380-539-9-001
FT002	BDEY0744001	307-415-9-005		GCMZ317710Z	380-539-9-002
FT001	BFLY0009001	140-009-9-001		GMSC405736Z	634-204-9-001
F951,952	BFLY0055001	143-011-9-001		GNBP417696Z	384-075-9-003
J003,004	BFSY0014209	191-251-3-002		GNBP417697Z	384-075-9-004
J551	BJKY0089001	773-086-9-001		GNBP417699Z	384-075-9-006
J552	BJKY0221010	777-050-9-002		GNBP417701Z	384-075-9-007
J501	BJKY0221018	777-051-9-001		GNBP417702Z	384-075-9-008
J502	BJKY0230001	777-050-9-004		GNBP417711Z	384-076-9-001
J351	BJKY0325001	777-050-9-005		GNBY417703Z	751-313-9-001
J352	BJKY0328010	777-050-9-007		HBCT417759Z	250-197-9-001
J505	BJKY0328018	777-051-9-002		HCMB317715Z	252-055-9-001
L002	BJKY0329001	777-050-9-009		HCMT317714Z	253-135-9-001
L016	BLAY0029001	060-023-9-001			
L004	BLAY0088001	066-019-9-002			
L006	BLAY0120001	046-037-9-001			
L008	BLAY0163001	060-022-9-001			
L009	BLAY0165001	044-046-9-001			
L001	BLAY0166001	066-025-9-005			
L007	BLAY0181001	060-024-9-002			
L015	BLAY0204001	046-024-9-003			
L003-017	BLAY0208001	060-029-9-004			
L005	BLAY0260001	060-030-9-014			
	BLAT0277001	046-025-9-004			