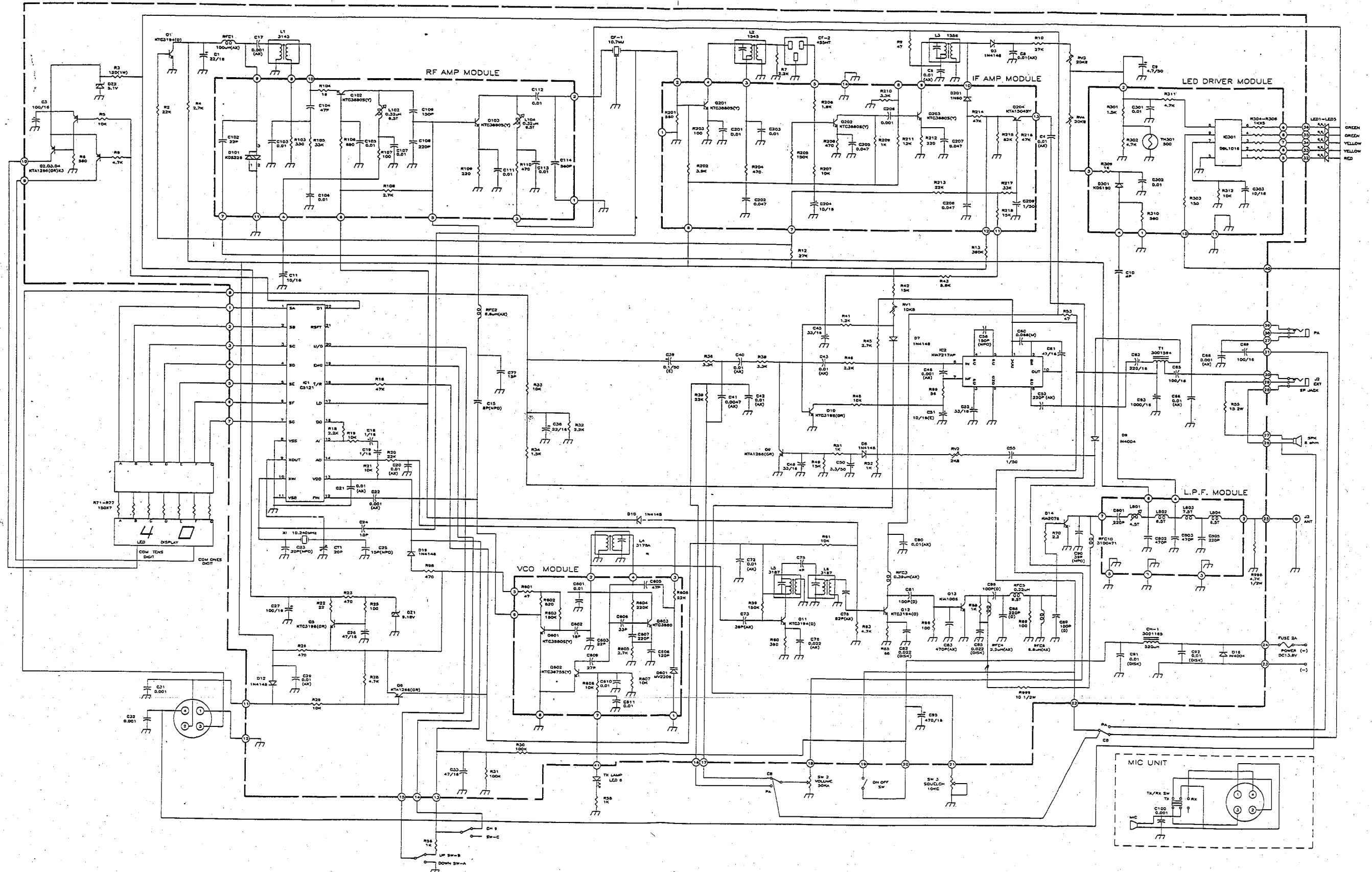


# SCHEMATIC DIAGRAM



Issue No. AA (02/11/2000) 19 DX II