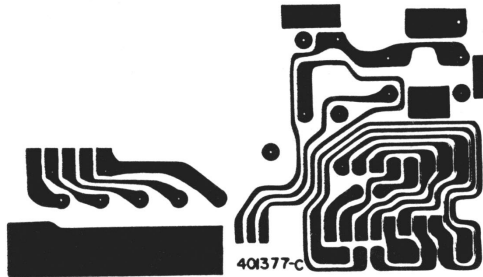
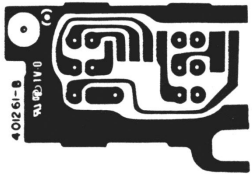
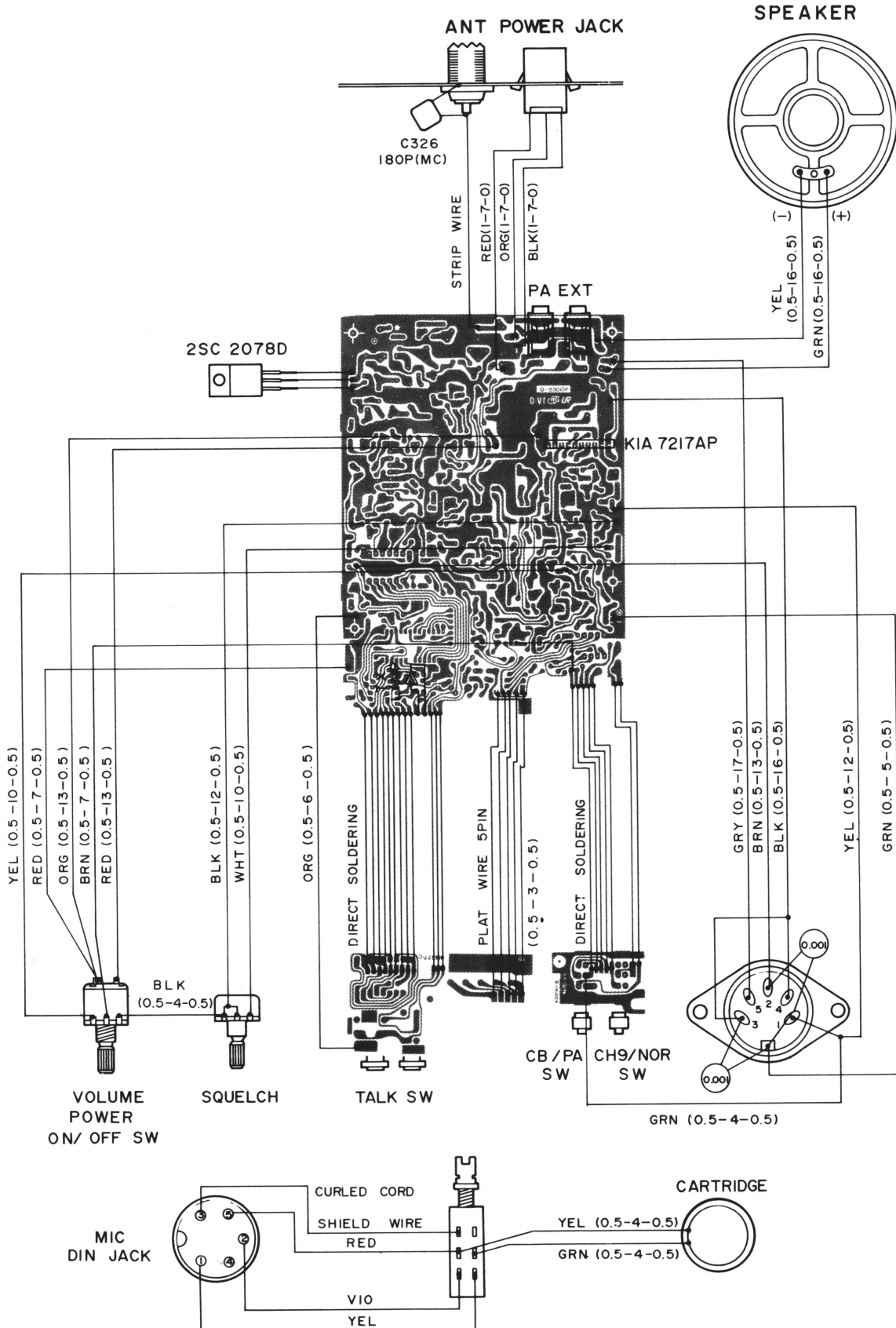


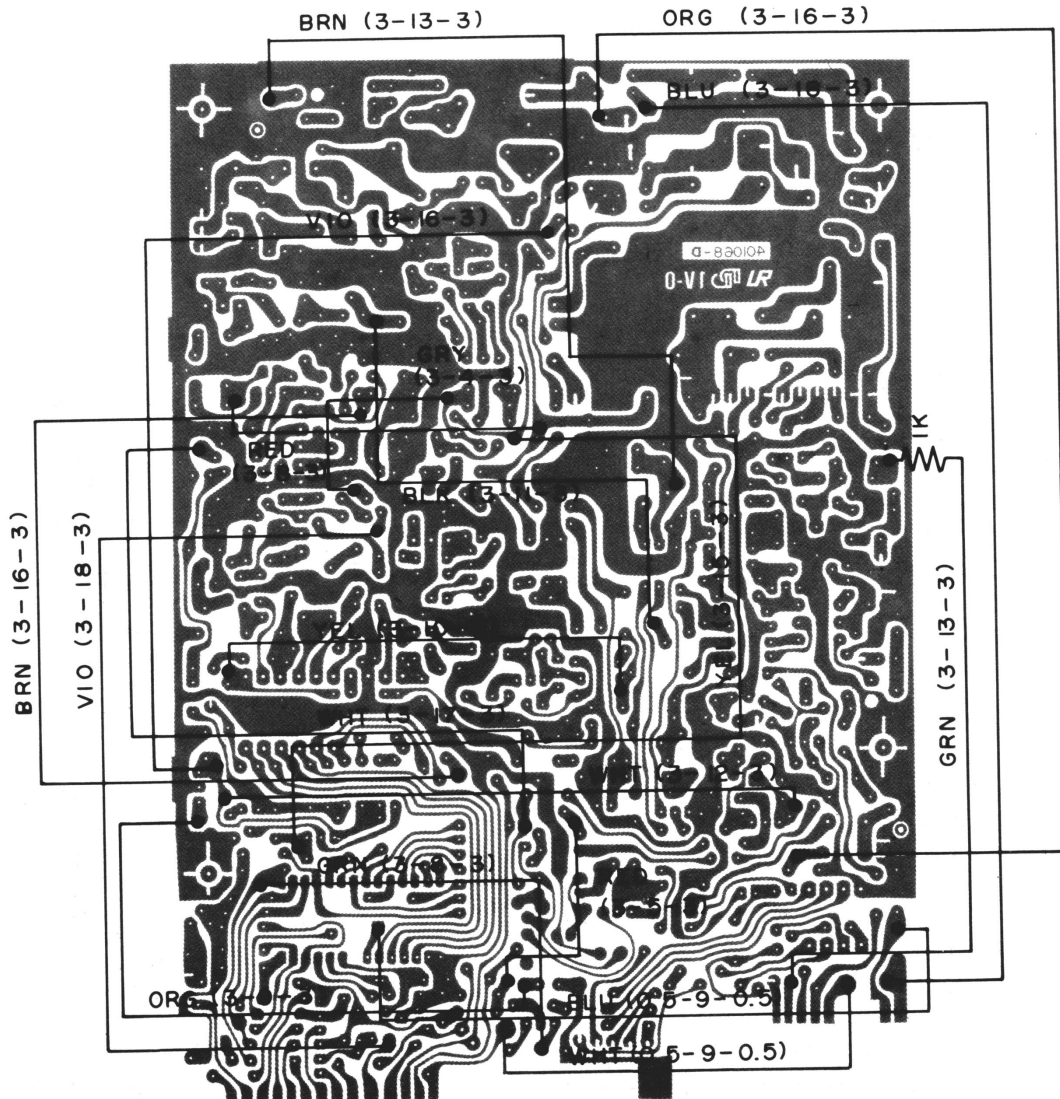
401068-F



# Wiring Diagram (Chassis and Microphone Pins)

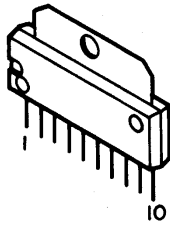


# P.C.B Wiring Diagram

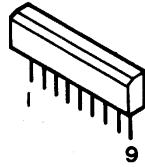


# INTEGRATED CIRCUIT

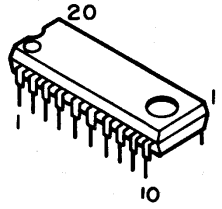
KIA 7217AP



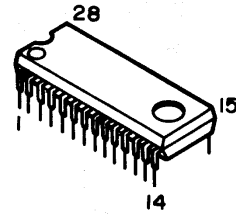
TA 7310P



LC7131



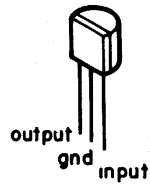
LM6416E



TL 489CP



MC78L08CT



# TRANSISTORS

- MPS 9418
- MPS 9623
- MPS 9631
- MPS 9681
- MPS 9634



MPS 9426



2SC 2314

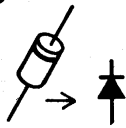


2SC 2078

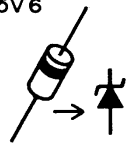


# DIODES

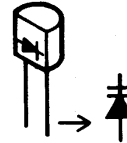
- IN 4002
- IS 2473
- 0A 90



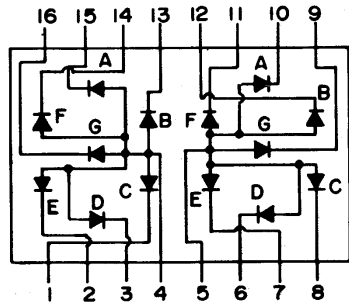
- UZP-8.2B
- BZX83-C5V6



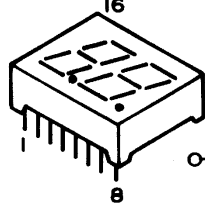
MV2209



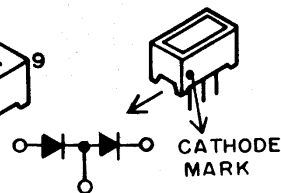
SLB55VR3



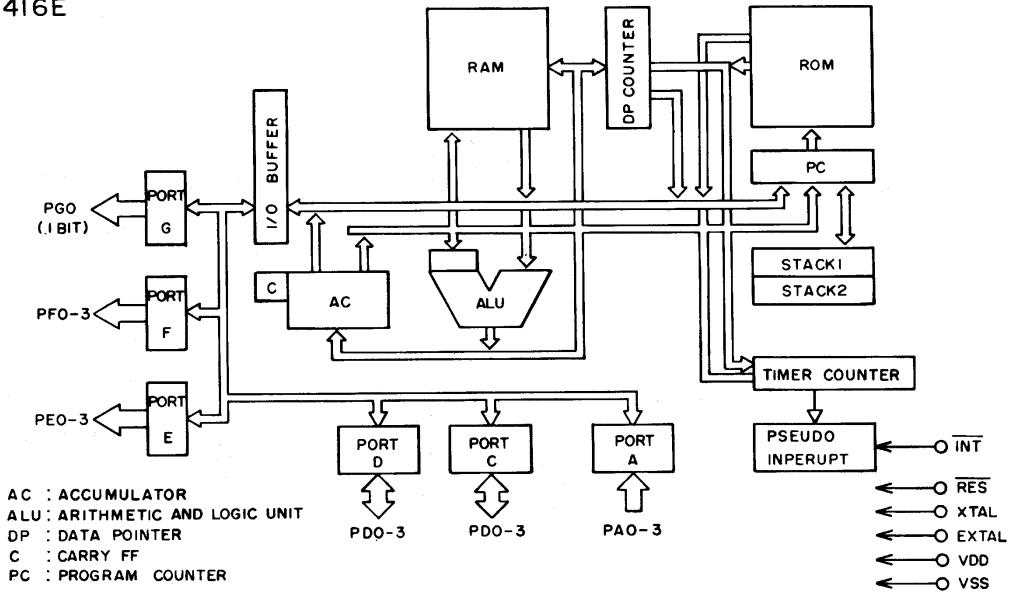
LTD-482G-Y



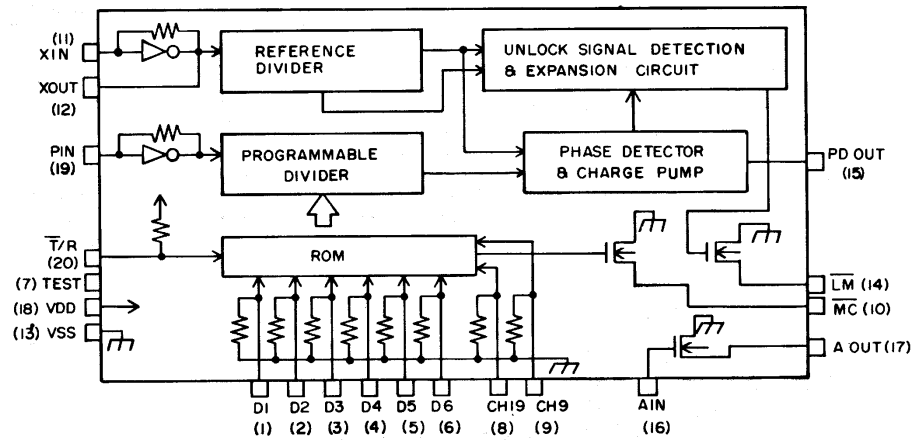
LD-001VR



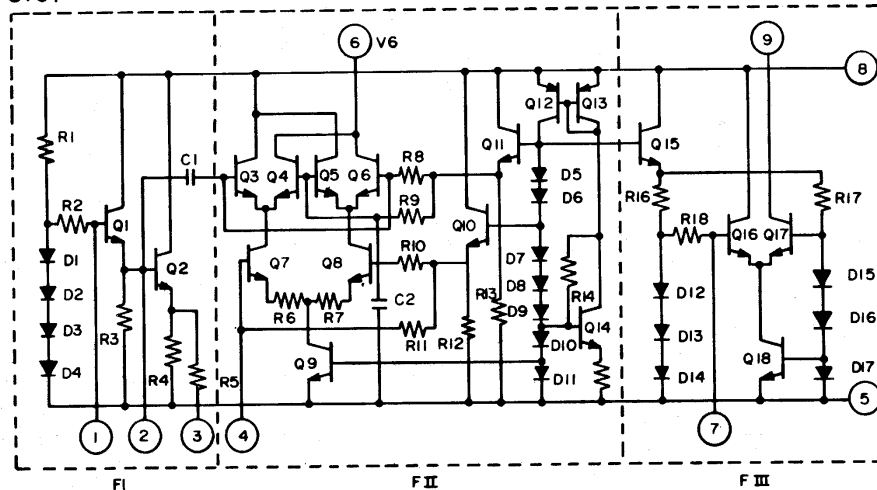
LM6416E



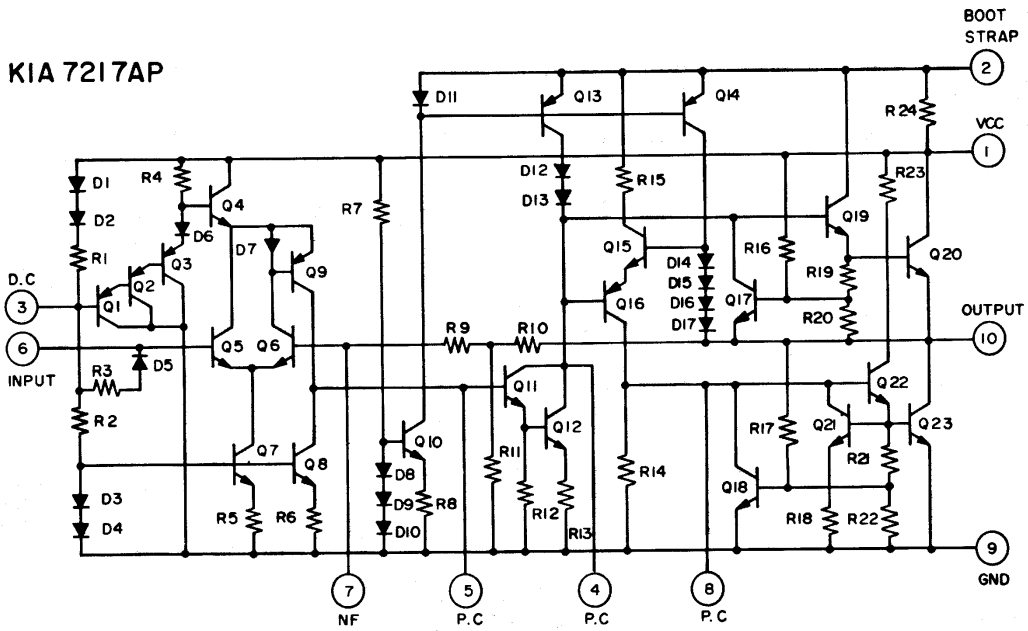
LC 7131



TA7310P

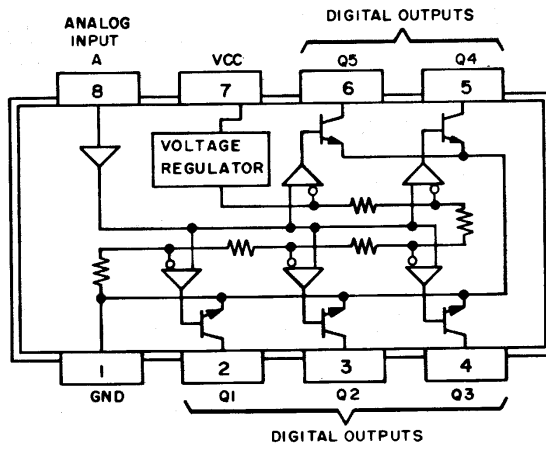


KIA 7217AP

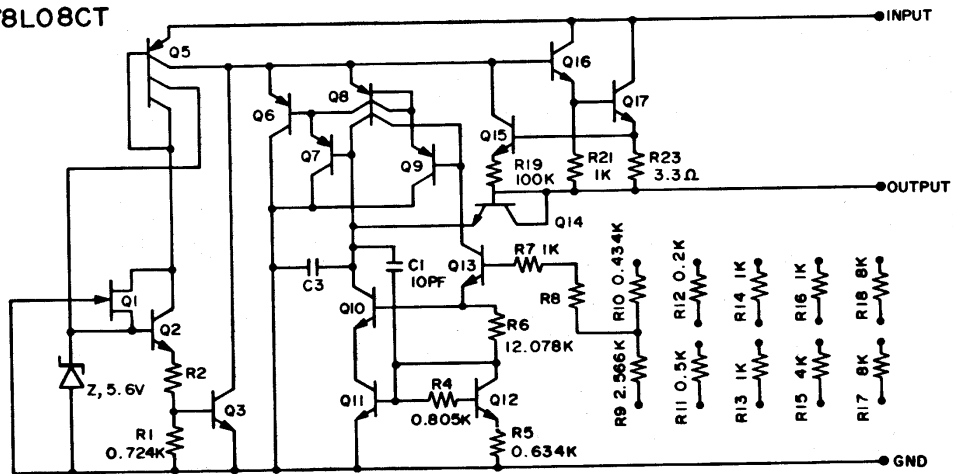


D.C.: DECOUPLING  
P.C.: PHASE COMPENSATION

TL 489 CP



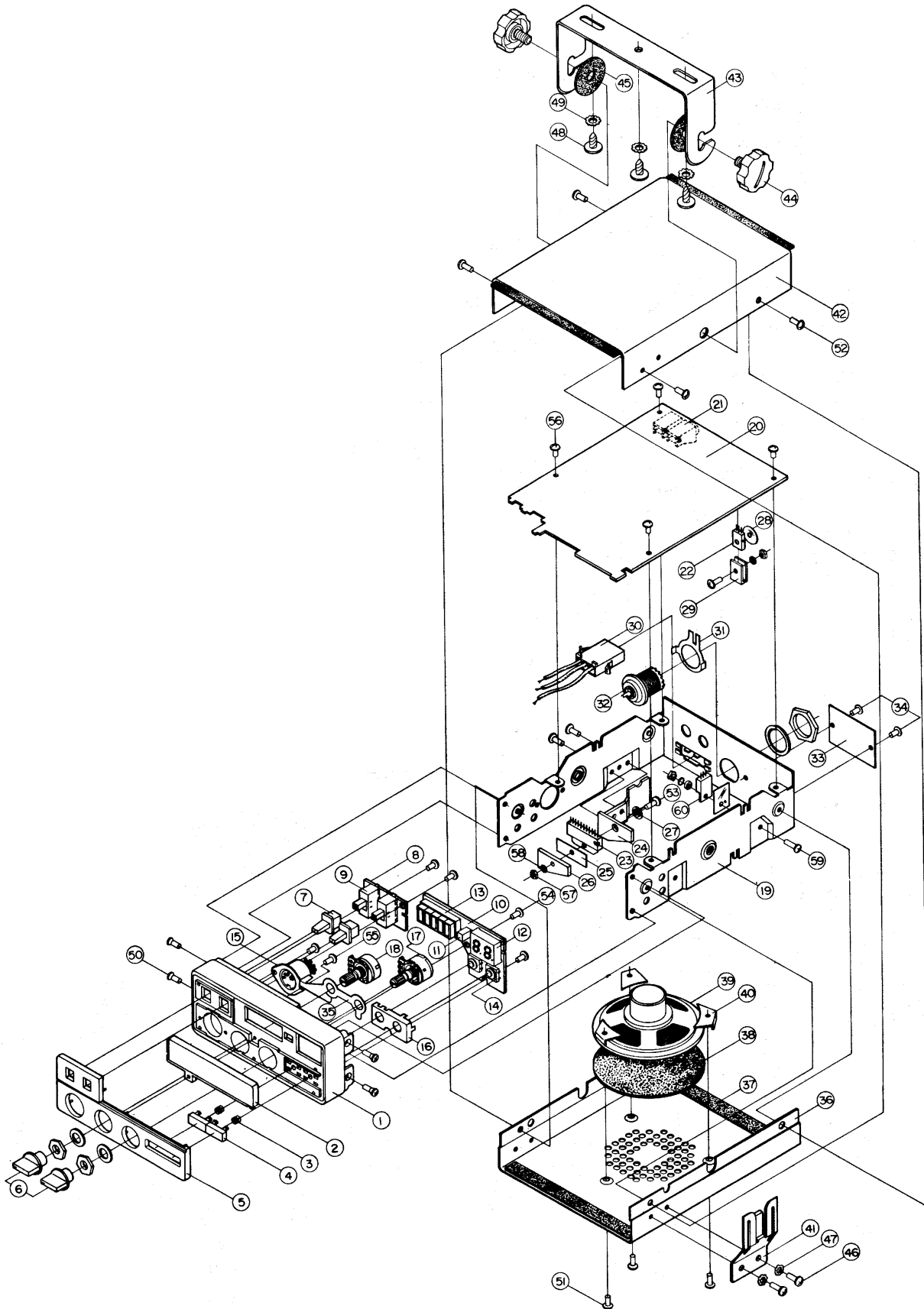
MC 78L08CT



## Exploded View Part List

No.	Part-No.	Description	No.	Part No.	Description
1	800950	Escutcheon	54	621159	(+) Tapping Screw (B.H) 2.6 x 8-1S
2	813010	Lens (Front)	55	623256	(+) Tapping Screw (B.H) 3 x 6-1S
3	880880	Spring	56	623265	(+) Tapping Screw (B.H) 3 x 6-2S
4	823830	Knob (Slide SW)	57	651024	Nut
5	830520	Front Pannel	58	662305	Washer (Spring)
6	823850	Knob (Control)	59	613305	(+) Machine Screw (B.H) M3 x 8
7	823860	Knob (Push)	60	2040167	Transistor 2SC 2314 (E)
8	401261B	P.C.B. SW			
9	4310921	Slide SW			
10	401377C	P.C.B. LED			
11	2510640	LED Lamp			
12	2520261	LED Display			
13	892550	Rubber Holder (Bar LED Lamp)			
14	4360069	Tack Switch			
15	4215297	Socket			
16	770800	Shield Plate			
17	4506045	Resistor Variable (VR) W/Off On			
18	4504173	Resistor Variable (VR)			
19	701430	Main Body			
20	51028MP	Main PCB Ass'y			
21	4207076	Jack Earphone			
22	2040091	Transistor 2SC 2078 (D)			
23	2220064	I.C			
24	761260	Heat Sink (IC MTG)			
25	4400105	Mica (For I.C KIA 7217 AP)			
26	760704	Heat Sink (IC MTG)			
27	4410100	Bushing			
28	4400040	Mica (For T.R 2SC 2078)			
29	760430	Heat Sink (TR MTG)			
30	504203	3P Plug Ass'y			
31	730477	Holder (ANT MTG)			
32	992440	Ant Receptacle (W/Nut Washer)			
33	793100	Name Plate			
34	670025	Rivet Blind			
35	770830	Shield Plate			
36	715540	Bottom Cover			
37	900133	Felt			
38	901767	Felt Strip BLK			
39	4201030	Speaker			
40	730015	Holder (Speaker)			
41	720050	Bracket (Mic MTG)			
42	715550	Upper Cover			
43	720916	Bracket (Set MTG)			
44	600051	Securing Screw			
45	660138	Washer Rubber			
46	624066	(+) Tapping Screw (R.H)			
47	664411	Washer (Lock "B" Type) M4			
48	625007	(+) Tapping Screw (T.H)			
49	664518	Washer (Lock "B" Type) M5			
50	611086	(+) Machine Screw (F.H) M2.6 x 4			
51	623344	(+) Tapping Screw (B.H) 3 x 8-2S			
52	633082	(+) Tap Tite Screw (B.H)			
53	613332	(+) Machine Screw (B.H) M3 x 10			

# Exploded View







## PARTS LIST 19 PLUS

## PARTS LIST 19 PLUS

SYMBOL	DESCRIPTION	PART NO.	SYMBOL	DESCRIPTION	PART NO.
	COVER ASSEMBLY	521 124 9 001	IC204	I.C. TA7310P	307 133 9 004
	SPEAKER 2½" 8 OHM 0.25W	580 076 9 001	IC203	I.C. MC78L08CT	307 426 9 001
	NAME PLATE (COBRA 19PLUS) ALP3 32X25X0.51	600 171 9 001	IC202	I.C. LC7131	307 272 9 002
	ESCUTCHEON (COBRA 19PLUS) ABS BLK	380 548 9 001	IC201	I.C. LM6416E	307 426 9 002
	LENS (FRONT) ACRYL SMOKE SILK	380 548 9 002	IC401	I.C. TL489CH	307 426 9 003
	LENS (FRONT) ACRYL SMOKE SILK	380 548 9 002	D401	DIODE BZX83-C5V6	152 160 9 001
	KNOB (SLIDE SW) ABS SETTING CR-PLATE	384 084 9 001	D209	DIODE UZP-8.2B 1W	152 160 9 002
	KNOB (CONTROL) ABS CR-PLATING	384 084 9 002	D208	DIODE VARICAP MV2209	151 028 9 007
	KNOB (PUSH) (UP,DOWN) ABS CR-PLATING	384 084 9 003	D101,102,104, 106,201-207,210, 402,403,501,502, 601,602	DIODE SI 1S2473	151 035 9 001
	FRONT PANEL ABS LUCK8017-107 HOT STAMPING	260 437 9 001	D103,107,301	DIODE GE OA90	150 020 9 001
	FRONT BODY ASSEMBLY	521 125 9 001	D503,504	DIODE SI 1N4002	151 082 9 001
Q303	XSTOR 2SC 2078 (D)	172 075 9 001	X101	CRYSTAL 10.240MHZ HC-18/U	132 036 9 001
IC501	I.C. KIA 7217AP	307 331 9 001	CF2	CRYSTAL FILTER CFU 455HT	143 014 9 001
D302	LED LAMP SLB55VR3 RED	158 079 9 001	CF1	CERAMIC FILTER 10.7MJ	140 006 9 002
D404,405,406	LED DISPLAY LD-001MG GRN	158 079 9 002	CH1	TRANSFORMER, CHOKE	042 041 9 001
D408	LED DISPLAY LD-001VR RED	158 079 9 003	T501	TRANSFORMER, OPT	042 051 9 001
D407	LED DISPLAY LD001YY YEL	158 079 9 004	RFC307	COIL, RF CHOKE 10µH CORE	047 012 9 003
LED	LED DISPLAY LTD-482G-Y	158 079 9 005	RFC301	COIL, CHOKE 1µH BOBBIN	041 134 9 007
J1 2	JACK EARPHONE HSJ0615-01-010	773 126 9 001	RFC306	COIL, RF CHOKE 20µH CORE	047 039 9 002
J11-15	FLAT WIRE 5 PIN 40MM	428 130 9 001	RFC101, 305	COIL, RF CHOKE 22µH BOBBIN	041 134 9 002
	SLIDE SW KSA-2251T 2P-2C	084 160 9 001	RFC302	COIL, RF CHOKE 0.5µH SPRING	041 134 9 008
SW1,2	TACK SWITCH KHG10905	088 155 9 001	RFC201	INDUCTOR 25µH MOLD TYPE	047 049 9 001
VR102	RES., VARIABLE (VR) K161100-10KC(WO/SW) 15MM SHAFT	008 848 9 001	RFC203	INDUCTOR 0.45µH MOLD TYPE	047 049 9 002
VR101	RES., VARIABLE (VR)W/OFF ON SW VM11A-5M1411-50KA 15MM SHAFT	008 848 9 002	RFC102,204	COIL, CHOKE 100µH MO TYPE	047 027 9 001
	36 PLUG ASSEMBLY	777 056 9 001	RFC202	COIL, CHOKE 4µH BOBBIN TYPE	047 012 9 004
	MAIN BODY SPC 48X405XX1T	257 165 9 001	L601	INDUCTOR, 6.8µH MOLDED TYPE	047 050 9 001
R309	RES., METALOXIDE 10 OHM 1W "S"	011 001 5 100	RFC303,304	COIL, AM TX ANT 27MHz A	046 039 9 012
R245	RES., METALOXIDE 22 OHM 1W "S"	011 001 5 220	L305	COIL, AM TX ANT 27MHz B	046 039 9 013
R509	RES., METALOXIDE 15 OHM 2W "S"	011 002 5 150	L306	COIL, IFT 27MHz TXANT TUNING-C (4.5T)	047 049 9 003
RV101,501	RES., SEMIFIXED H0651A-10K 6DIA "H"	008 512 9 003	L104	COIL, IFT 455kHz-A	047 049 9 004
RV102,301	RES., SEMIFIXED H0651A-22KB 6DIA "H"	008 512 9 004	L105	COIL, IFT 455kHz-B	047 049 9 005
Q106 403,501,502	XSTOR MPS9634 (C)	176 128 9 001	L301	IFT 27MHz RF AMP-A	047 039 9 006
Q101-103,107,301	XSTOR MPS9426 (C)	176 115 9 001	L302	IFT AM AMP 27MHz-C	047 039 9 007
Q201-203,402,405	XSTOR MPS9681 (T)	177 049 9 001	L101	27MHz RX ANT	047 039 9 009
Q401	XSTOR MPS9418 (T)	176 115 9 004	L102	27MHz RF AMP (RX)	047 039 9 010
Q014,105	XSTOR MPS9623 (T)	176 115 9 002	L103	10.6MHz RF 1ST MIXER (RX)	047 039 9 011
Q404	XSTOR MPS9631 (T)	176 132 9 001	L304	27MHz RF-C (TX)	046 039 9 012
Q302	XSTOR 2SC2314 (E)	176 120 9 001	L303	COIL,RF PRE AMP TX	047 049 9 006
			L201	RX VCO 16.5MHz	047 049 9 007
				PACKING ASSEMBLY	523 861 9 001
				MIC ASSEMBLY	561 009 9 001
				PLUG 5PIN TCP-1356-01-2011	777 056 9 002
				PUSH SW HPW0208-01-010	088 155 9 002
				SECURING SCREW M6 (P=1) X 9	634 166 9 001
				BRACKET (MIC MTG) SPC 60X35XT1	250 213 9 001
				BRACKET (SET MTG) 30X235X1.5T BLK-PNTG	250 214 9 001