

# COBRA 148GTL-DX FOUR BAND MOD PLUS 10KC SWITCH

• *LESCOMM*

## THE 10KC SWITCH

THIS 10KC SWITCH IS UNIQUE IN THAT IT CAUSES ALL THE FREQUENCIES TO GO UP 10KCS ON ALL BANDS/CHANNELS.

1. LOCATE THE JUMPER LABELED JP54. IT IS CONNECTED FROM PIN 9 OF IC6 TO BOARD GROUND.
2. REPLACE THE JUMPER WITH A 4.7K OHM 1/4 WATT RESISTOR.
3. WIRE A SPST SWITCH AS FOLLOWS:

A. CONNECT THE OUTSIDE TERMINAL TO PIN 9 OF IC6.

B. CONNECT THE CENTER TERMINAL TO THE +8VDC SUPPLY BY FOLLOWING JP57 TO THE OUTSIDE END AND USING THE RESISTOR HOLE LABELED R146.

*NOTE: WHAT YOU ARE DOING IS APPLYING +8VDC TO PIN 9 WHICH CAUSES THE SHIFT.*

## FORTY MORE UP

WITH THIS PART OF THE MOD, THE RADIO WILL GO UP TO 28.245 ON CHANNEL 34.

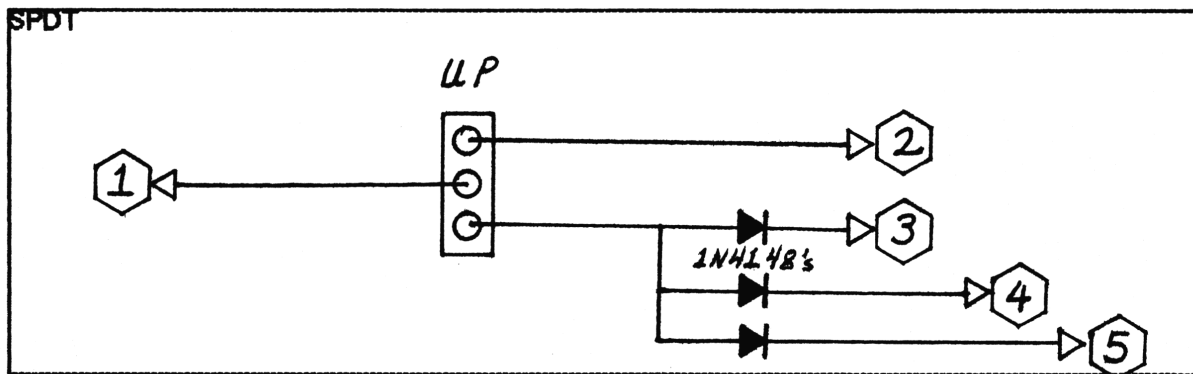


FIGURE 1. 148GTL-DX EXTEND SWITCH

CHANNELS 35 THROUGH 40 NOW SELECT FREQUENCIES IN THE 29MHz RANGE SO YOU WILL NOT BE ABLE TO USE THEM. WITH THE NEW SWITCH SELECTED, THE RADIO PICKS UP WHERE THE HIGH BAND LEFT OFF.

1. WIRE A SWITCH AS SHOWN

## EXTENDED RANGES FOR THE STALKER IX-FM

2. REMOVE THE "GRAY" WIRE COMING FROM THE BAND SWITCH, AT THE PC BOARD. IT IS LABELED EITHER "MX(3)" OR "HI" ON THE BOARD
  3. CONNECT THIS WIRE TO WIRE "#1" ON THE NEW SWITCH.
  4. CONNECT WIRE "#2" TO THE HOLE LABELED "MX(3)" OR "HI", THAT WAS VACATED BY THE GRAY WIRE IN STEP 2.
  5. CONNECT WIRE "#3" TO PIN 2 OF IC7.
  6. CONNECT WIRE "#4" TO PIN 15 OF IC6.
  7. CONNECT WIRE "#5" TO PIN 4 OF IC6.
- NOTE: PAY VERY CLOSE ATTENTION TO THE LAYOUT OF IC6 & 7'S PINS. THEY ARE OPPOSITE OF ONE ANOTHER AND IT IS VERY EASY TO GET CONFUSED.

## EXTENDED RANGES FOR THE STALKER IX-FM

---

• *LESCOMM*

THIS CONVERSION PROVIDES A 10KC SWITCH WHICH GOES UP 10KCS ON ALL 40 CHANNELS WHEN THE RANGE SWITCH IS IN THE "LO" RANGE POSITION, AND GOES DOWN 10KCS WHEN THE RANGE SWITCH IS IN THE "HI" POSITION. THE EXTENDED RANGE SWITCH WE WILL ADD WILL NOT EFFECT THE OPERATION OF THE 10KC SWITCH.

THIS IS HOW THE EXTENDED FREQUENCIES WILL COME OUT WITH THIS MOD:

LO/LO	HI/HI	LO/LO	HI/HI
1-28.085	27.575	21-27.055	27.825
2-26.815	27.585	22-27.065	27.835
3-26.825	27.595	23-27.095	27.865
4-26.845	27.615	24-27.075	27.845
5-26.855	27.625	25-27.085	27.855
6-26.865	27.635	26-27.105	27.875
7-26.875	27.645	27-27.115	27.885
8-26.895	27.665	28-27.125	27.895
9-26.905	27.675	29-27.135	27.905
10-26.915	27.685	30-27.145	27.915
11-26.925	27.695	31-27.155	27.925
12-26.945	27.715	32-27.165	27.935