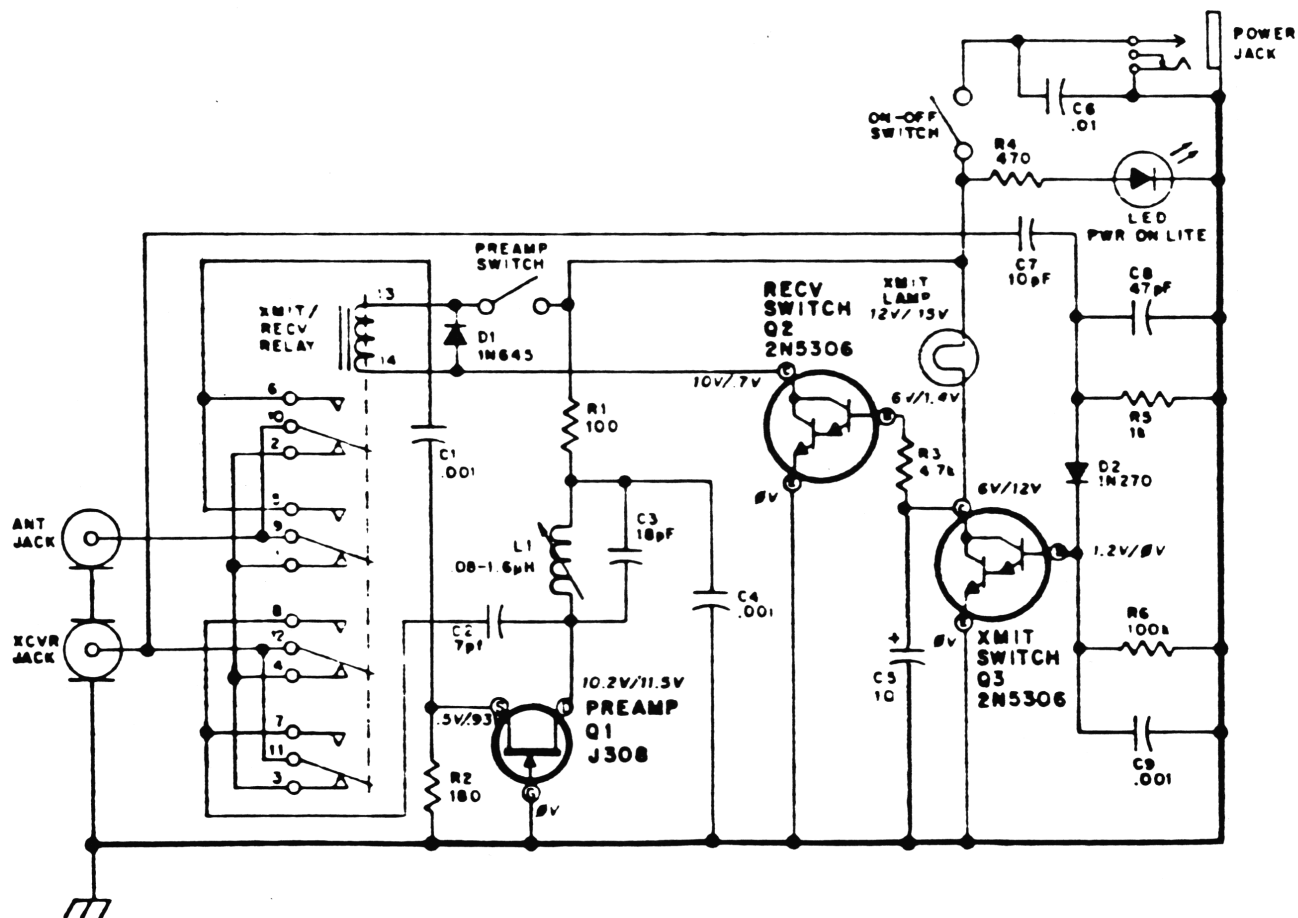


HYGAIN MDL. 422B Pre-Amp Schematic



Relay shown in transmit mode (relaxed).

Voltages shown: Xmit V/Rec V.

LOW FREQ. MOD.

by M.M.

LAKE 410, MM5108N-PLL: Open feed line to following pin for freq change.

26.325-26.685MHz, selector 1-32; open Pin 10.

26.695-27.005MHz, selector 5-32; open Pin 11.

TALKBACK

Cobra 29GTL/LTD: Solder 42 ohm resistor from center contact of Ext.

Speaker Jack to PCB Ground.