

REALISTIC TRC-441 (UPDATE)

Modulation....

Vol. 10, pg 67 - remove D109.... Vol. 11, pg 49 - remove D110....

Both increase the modulation, but by removing D110 the modulation light is also disabled. Take your choice...

COBRA 20LTD/REALISTIC 21-1175 (MIKE WIRING)

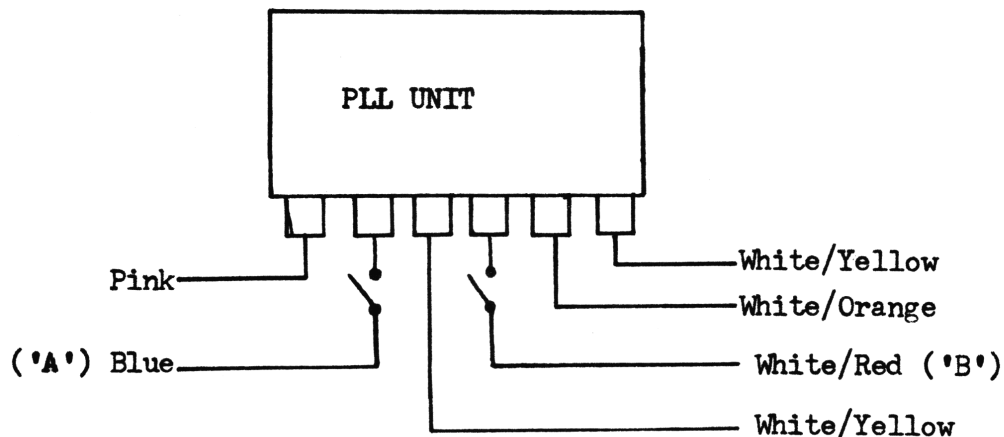
R/S, mike leads: White, audio - Pin 1
Red, Tx line - Pin 2
Shield & Blue, both to Pin 3
- Pin 4 (NO CONNECTION)
Black, Rx line to Pin 5

NO INTERNAL CHANGES TO MIKE. CAUTION - If mod limiter has been removed go easy on the mike gain, as will overdrive/distort....

REALISTIC TRC-57 (Low and RC Fo Mod.)

O.K. - this one works!

1. Remove Blue wire on PLL cage, wire up a SPST switch. (A switch)
2. Remove White/Red wire on PLL cage, wire up a SPST switch. (B switch)



Switch A--Open

10 - 26.875
11 - 26.885
12 - 26.905
13 - 26.915
14 - 26.925
15 - 26.935
16 - 26.955

Switch B--Open

1 - 26.945
2 - 26.915
3 - 26.925
5 - 26.995 (3A)
9 - 27.045 (7A)
13 - 27.095 (11A)
17 - 27.145 (15A)
21 - 27.195 (19A)
23 - 27.235 (Channel 24)