

BLEED-OVER FILTER (UPDATE)

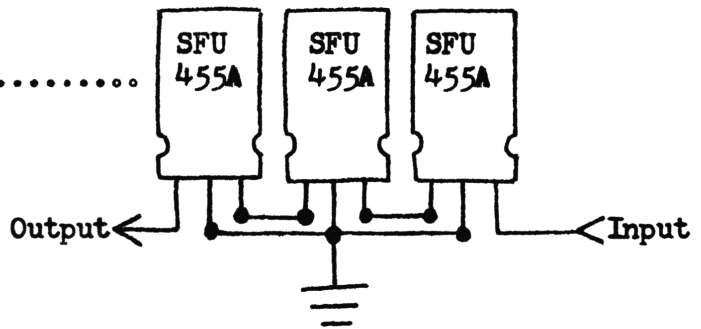
RE: Vol. 16, Page 40... Can't find many now, as everyone has pulled out of the junk chassis? GOOD NEWS: Radio Shack, #272-1302; 455KHz Ceramic Filters (2 in the pack); and only 99¢. BEST & WORST NEWS: Work like a champ, - Discontinued! Have been able to buy up all in my area for 1/2 price; so start buying; cheaper to buy than scrounge around! Rewire as below: (I use 3 of them in series, for even better rejection!).

Individual Filter

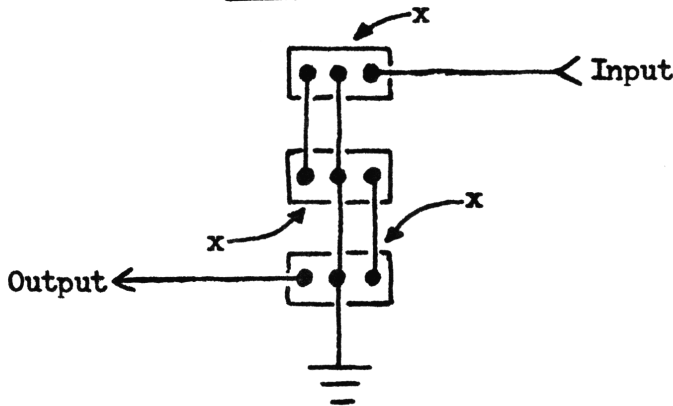


Lettering Sides.....
1-Input
2-Ground
3-Output

Schematic Wiring



Wiring Layout



X - denotes lettering side of filter. Units have been left separated in drawing for better explanation. I usually put some tape around to hold in place, then enclose all in one piece of heat shrink.

- - - CORRECTION - - -
148GTL-DX: LATE (UPDATE), SCB Vol. 18, page 26.

5th line down: " to de-beep the newer board (pb-010AB): locate C162 (2.2mf/25VDC) and remove it " - DELETE: C162 (2.2mf/25VDC) and remove it.
CHANGE TO: locate wire marked BEEP on the PCB, and remove - or add a switch in series.