

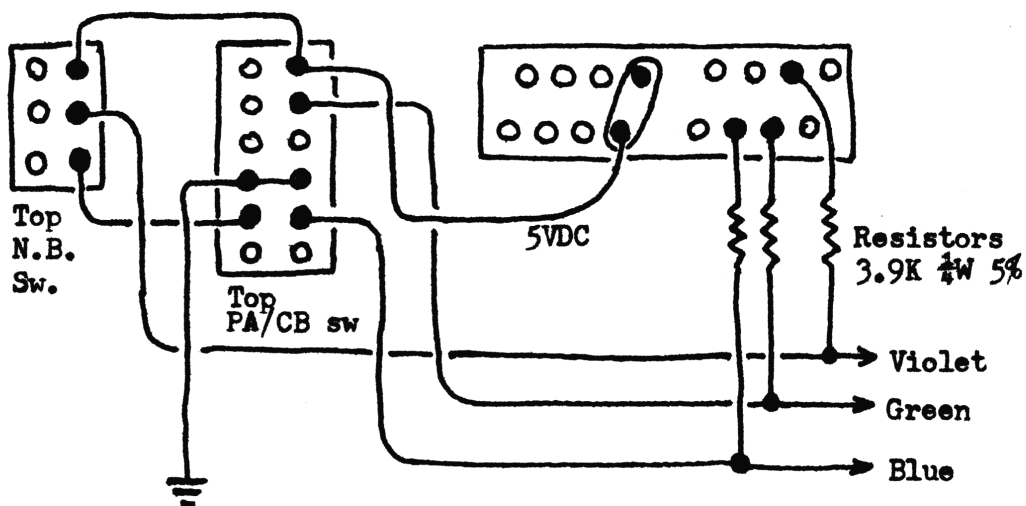
CORRECTIONS

KIT-27A: Note, 2 different production runs have been found on this unit! discrepancy is in Pin-10. CAUTION: Ground is sometimes taken from pin 18 by a wire running under the chip to pin 10, and must be removed. On the other run pin 10 must be isolated by cutting etch in two places.

Volume 9, page 12: Step 3, DELETE all reference to removal of C34. Replace CR4 with a Super Diode is correct.

Volume 7, page 28: All the Fo's should have a 0 for the last digit-CHANGE. On this PLL chip the even's come out when converting due to the chip's ROM code converter.

(*) Volume 10, page 49: This modification was drawn up wrong, I know as sent it in myself. The correction to drawing is below.
NOTE: Custom Conversion #18 is available from Selman Enterprises on this unit (26.525-27.795MHz).



These wires are from the
PLL cage.....

(*) Permission granted to Copy this correction and place in Volume 10.

See Page 62, this volume - for additional correction: Volume 5, page 47.
