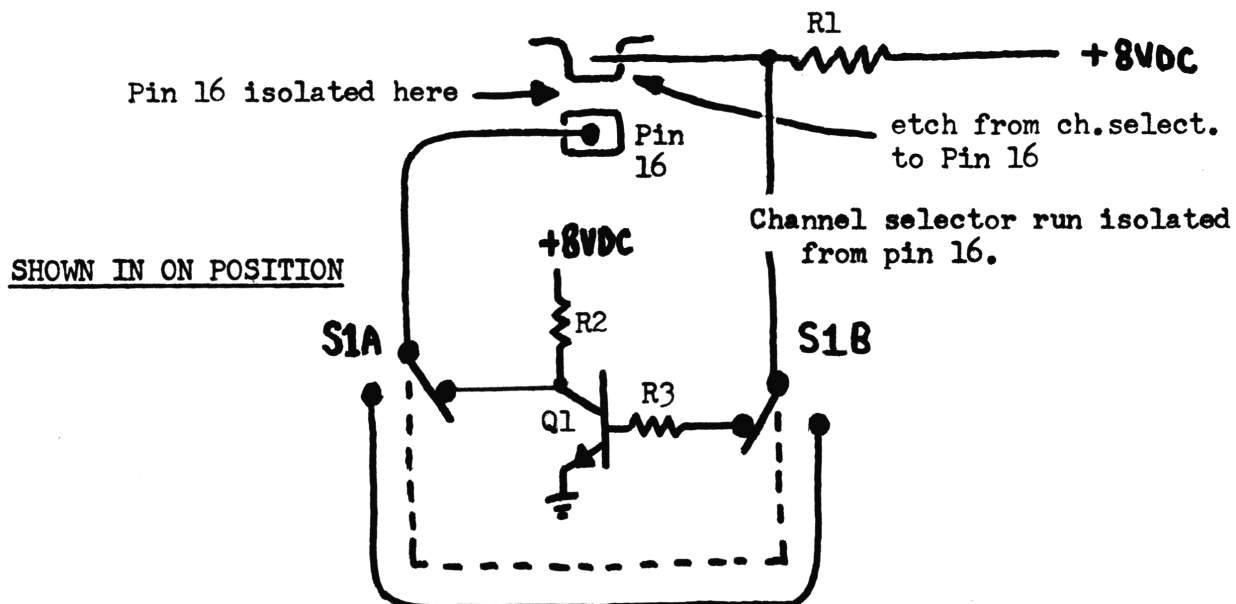


10KC FLIP-FLOP

Chasing those missing 10KC gaps in some units? This is how to get them.. (Can be used on any PLL, IF NOT A R.O.M. TYPE.).....

.....This switches the LSB to enable you to pick up the skipped code.

Diagram below is for the MB8719PLL chip but will work on any.



Parts: all resistors are 10K for MB8719, 5K for an 858 at 5V logic.
Q1 is either a 2N3904 or 2N2222.
Switch is DPDT.

148GTL-DX New Frequency Modifications

Here are additional Fo Mods, actually the easiest ones yet.

Instead of using 2 switches to open Pins 11 and 12 of IC-5; as in Vol. 15 page 22; to obtain extra frequencies:

Try the following by opening up the trace to Pin 2 of IC-7.

Will give the following with pin 2 open:

Bandswitch Low : 25.875 - 26.315MHz
Mid : 26.325 - 26.765MHz
High: No change

Also try setting the CH-9 switch to the mid-position for higher frequencies, (27.895). Have no further info on this-but easier to open the off pos of switch, and then close the off pos by eliminating wire at the switch-simple!