

"My Way" Slide  
by D.W.

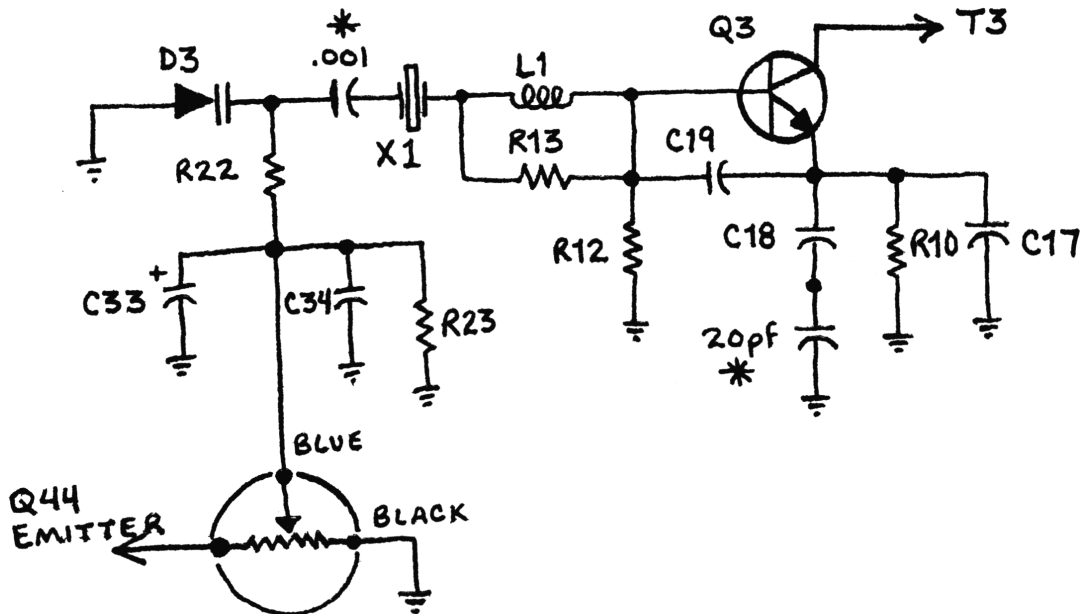
Clarifier modification for Colt 480/485/1000/1200 (02A PLL).

I never have been satisfied with all the work necessary to get these chassis to slide more than 5KHz. It just seems to be too much hassle to take them all apart, put in variable caps, and chokes, etc..for just 10 to 12KHz of slide. With this in mind I decided to do it "My Way".

The schematic below shows the modifications that I made to get -2.5KHz to +24KHz (That's correct, no typing error!) and it takes about 15 minutes to do without having to tear the whole radio down.

First I do the standard clarifier modification for 5KHz of slide. Remove D5. Trace wire from center lug of clarifier control back to PCB and unsolder. Resolder wire to cathode of D4. Solder a piece of wire to emitter of Q44 and other end to the unused lug of clarifier control. If everything still works O.K.; let's go!!

Remove D3 and C18. Replace D3 with a Super Clarifier Diode, observe the same polarity as before. On etch side solder one leg of C18 to Q3, solder a 20pf cap to other leg of C18. The other leg of 20pf cap solder to D.C. Ground. Cut the circuit board trace between CT1 and X1, solder a .001mfd cap to the free end of X1 and the other end to the D3/R22 junction. THAT'S IT---ALL DONE, plenty of slide without major surgery.....



---Clarifier Circuit after modifications: new parts--\*  
.001mfd cap  
20pf cap  
D3-changed to Super Clarifier Diode