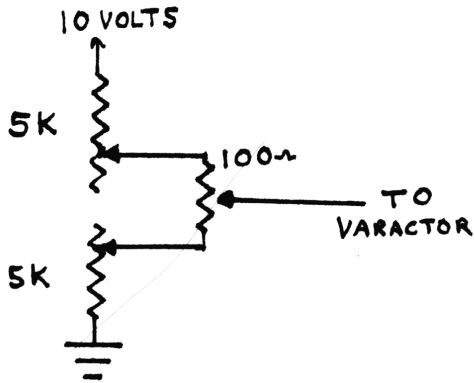
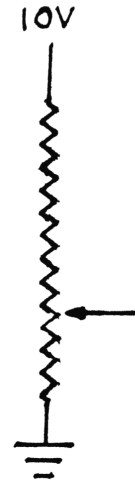


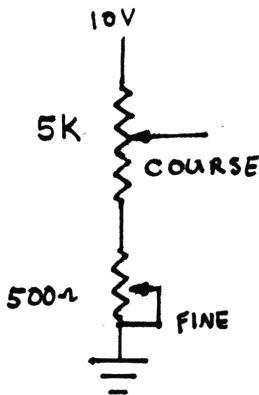
# INTO THE KNOW WITH POTS



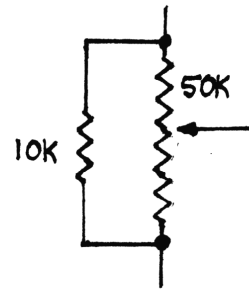
5K Pot is a Dual Pot. Resolution of above circuit is about 4 times better than a 10 Turn Pot! (If you can live with that many adjustments.)



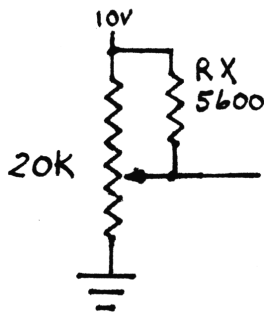
10 Turn Pot- A good choice for accurate, single knob clarification



This circuit has somewhat less resolution of 3 Pot configuration, but is less expensive.



Here is what you can do if you need a 10K Pot, but all you have is a 50K.



Here is the circuit you often see in CB's. RX is a "LINEARIZING" resistor. Usually about 20-30% of pot value.