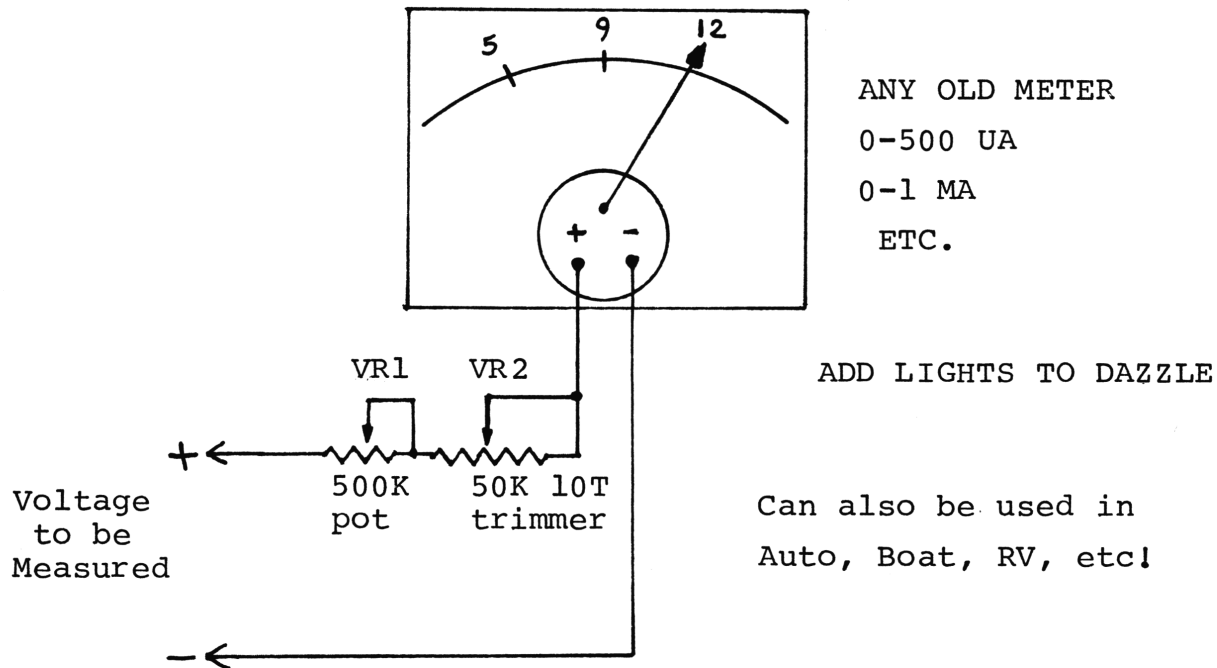


HOW TO CONVERT A SALVAGED METER TO A VOLT METER



1. Adjust 500K pot for maximum resistance.
2. Adjust 50K trimmer pot to maximum resistance.
3. Hook up leads to a 12 volt power supply. Adjust VR1 for fun scale deflection.
4. Adjust VR2 for where you want 12V to be at on your meter. Put a mark at this location.
5. Hook up leads to a 9 volt battery. Put a mark at this location.
6. Hook up leads to a 5 volt source. Put a mark at this location.

Put a drop of "locktite" on the pots to prevent further movement.
Now you've got a junk box cheapie Voltmeter!