

PRO-22 POCKET SCAN AM/FM

THIS IS A CONVERSION FOR ADDING AN EXTERNAL ANTENNA FOR ADDED RANGE. HERE IS WHAT WE OBTAINED:

RX:	VHF Lo	Fair	10-15 Miles
	VHF Hi	Fair	15-20 Miles
	Aircraft	Fair	10-15 Miles
	UHF Hi-Lo	Fair	15-20 Miles

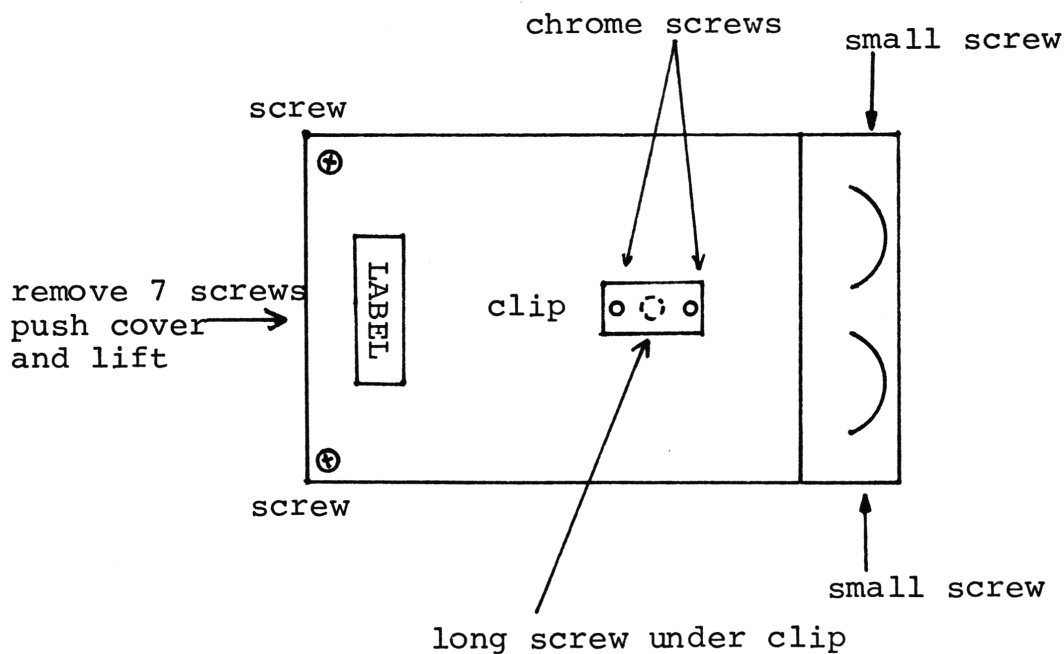
RX using Rubber Ducky - 5-8 Miles - All Bands.

Antenna must be VERTICAL for best range.

Cost/Quality Ratio: Poor

For outdoors use with Rubber Ducky antenna, range OK for downtown (cop on beat) but price a little high (request the crystals be thrown in).

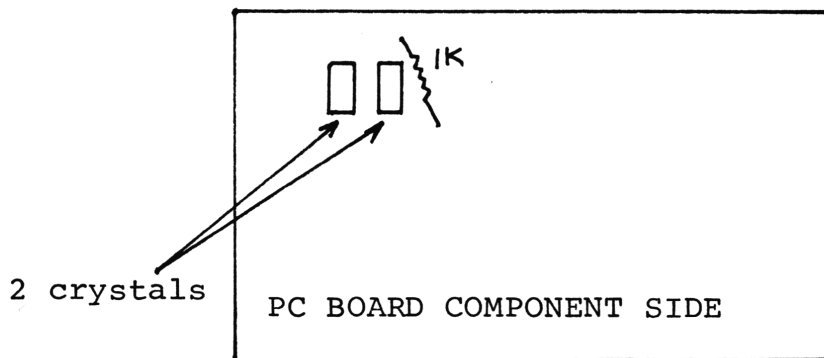
HERE IS HOW TO DO IT:



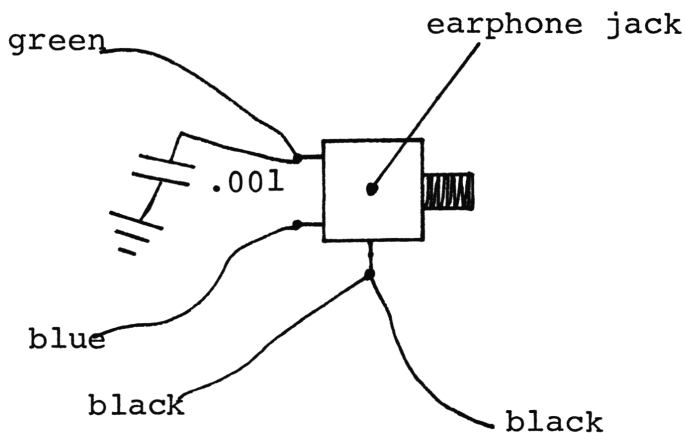
Continued next page:

PRO-22 Pocket Scan AM/FM continued:

- NEXT:
1. Remove locknut on ear phone jack.
 2. Lift PC board and pull gently out.
 3. Check for this:



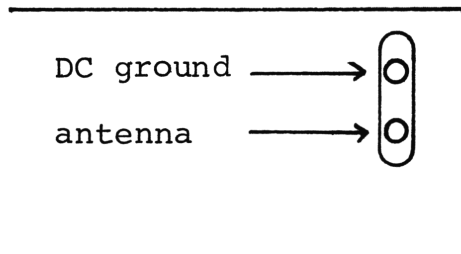
There is a sleeved resistor (1K) running over top of crystal. Cut piece of electrical tape and place over can! Some units have had trouble with it shorting out.



4. Unsolder GREEN wire from earphone jack.
5. Unsolder BLUE wire from earphone jack.
6. Solder GREEN and BLUE wires together and insulate.
7. Cut both BLACK wires off, solder together and insulate.
8. Unsolder WHITE wire from Antenna connector at PC Board. Clean out hole (Note crystal socket!).

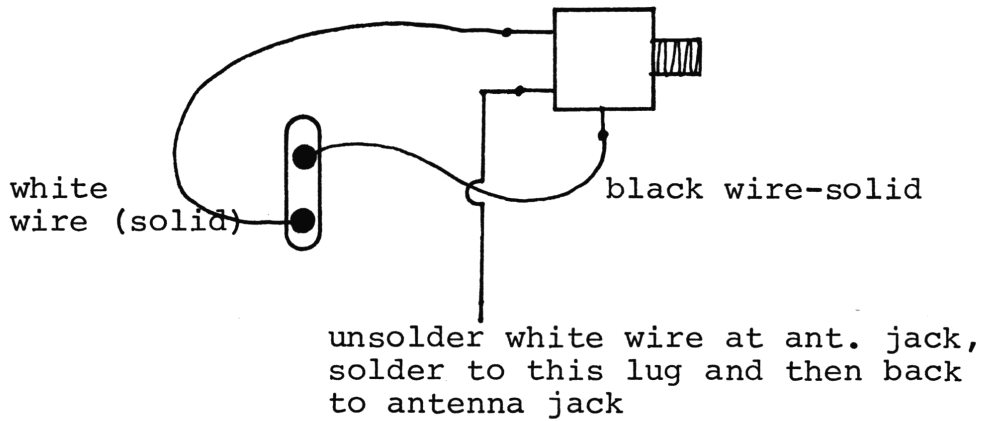
Continued on next page.

PRO-22 Pocket Scan AM/FM continued:



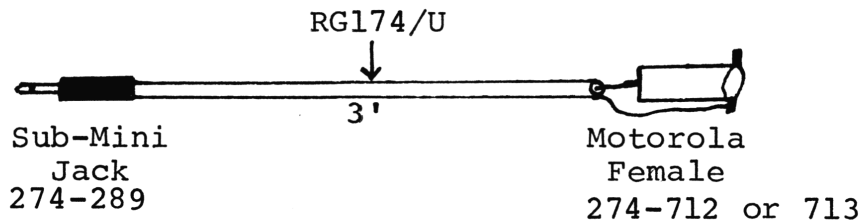
9. Remove .001 capacitor on earphone jack.

NOTE: push wire thru socket to PCB



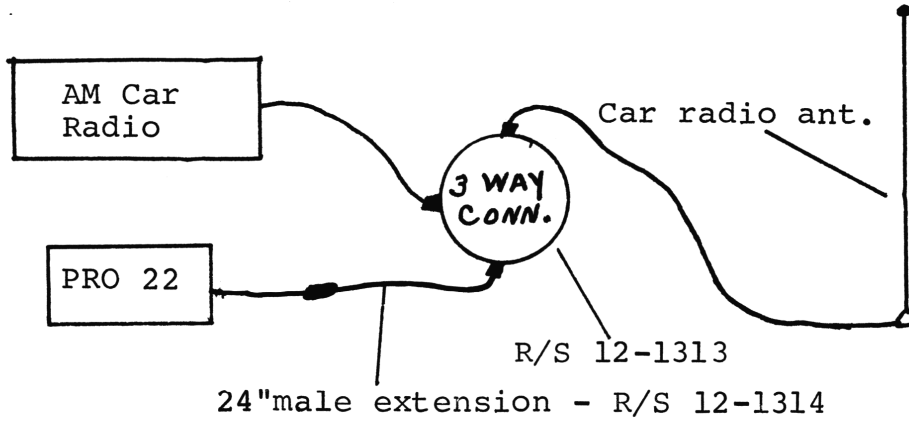
REASSEMBLE. NOTE: Flat washer goes on inside of earphone jack, NOT outside.

MAKE UP AN ANTENNA CABLE LIKE THIS:



Continued on next page:

PRO-22 Pocket Scan AM/FM continued:



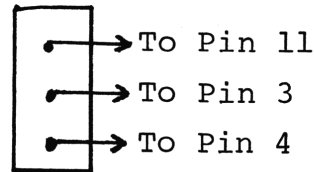
SET WORKS WITHIN 15 MILES OF DOWNTOWN!

"OOPS, WE GOOFED"



VOL. 12, Page 7: MOTOROLA CM555 - Clarifier, Step 1, should read: Cut off the wire on the end of the clarifier pot which reads 8V on RX, 0V TX. Tape it. Run a new wire from the pot where the original wire was to pin 1 of IC702 (+side of C734).

VOL. 13, Page 63: ROBYN T240D -



VOL. 14, Page 12: CRAIG L321 - CORRECTED DRAWING - DO NOT CUT the traces as shown before and resistors in new location.

