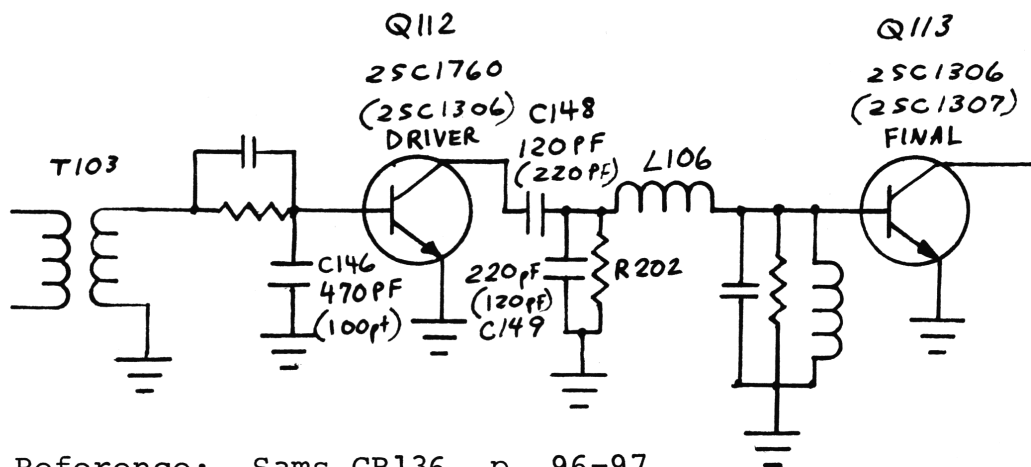


POWER MODIFICATION FOR AM UNITS

The following procedure was installed on a Midland 13-857B. This will work on many other 23 or 40 channel sets manufactured by Hy-Gain, Kraco, Lafayette, Boman, and other Cybernet chassis. Most of the AM sets use a 2SC1306 for the final and they just don't tune up much. (you can't get blood out of a turnip!) But with a few parts and a little work, you can make it really talk. HERE'S HOW ITS DONE:

1. Unsolder and remove the 2SC1306 transistor (final).
2. Unsolder and remove the 2SC1760 transistor (driver).
3. Install the 2SC1306 in place of the 2SC1760 so the 2SC1306 becomes the driver. Be sure to install in the correct holes for proper hookup.
4. Install a 2SC1307 in place of the final removed in step 1. Be sure to install in the correct holes - note the extra hole for this transistor for proper lead orientation. Use heatsink compound liberally.
5. Unsolder and remove C148. (120pf) Save for Step 7.
6. Unsolder and remove C149. (220pf) Save for Step 7.
7. Now swap the caps around and resolder on the board (C148 is now 220pf; C149 is now 120pf.)
- Delete* 8. ~~Unsolder and remove C146 (470pf) and replace with a 100pf.~~
9. Retune for maximum power.



On FM, this will give 12 watts output! This has been thoroughly tested by a friend of SECRET CB.