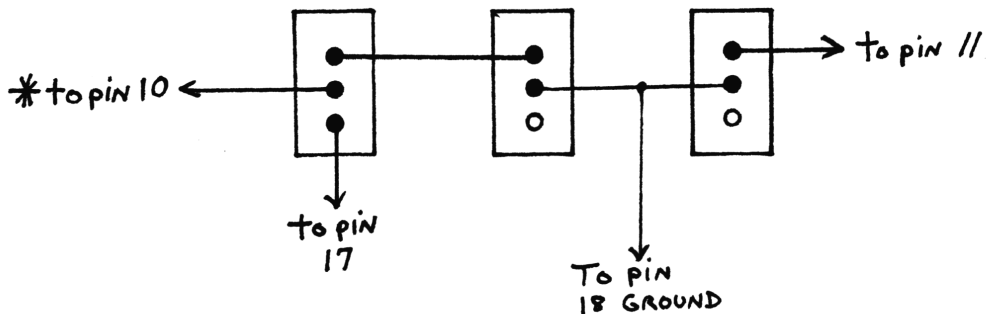


TEABERRY MODEL STALKER IX

FREQUENCY EXPANSION: 26.325 - 28.045

This unit has MB8719 chip/11.1125 Mhz crystal.

1. Obtain 3 SPDT toggle switches and wire up as shown:



* Cut trace on pin 10 to remove from ground.

Adjust L18 (tripler) and L13 (VCO) - CRITICAL!

WIDEBANDING:

Unsolder, remove and discard C81 (270pf off pin 3 of IC3) -
No Replacement.

Change value of R84 from 270K to 39K.

Readjust VR5 Carrier Balance for carrier null on SSB (if
necessary).

NOTE: If you don't want this many channels or you have trouble
with the alignment, change 11.1125 xtal to 11.3258 and switch
pins 10 and 11 for 26.815-28.045.

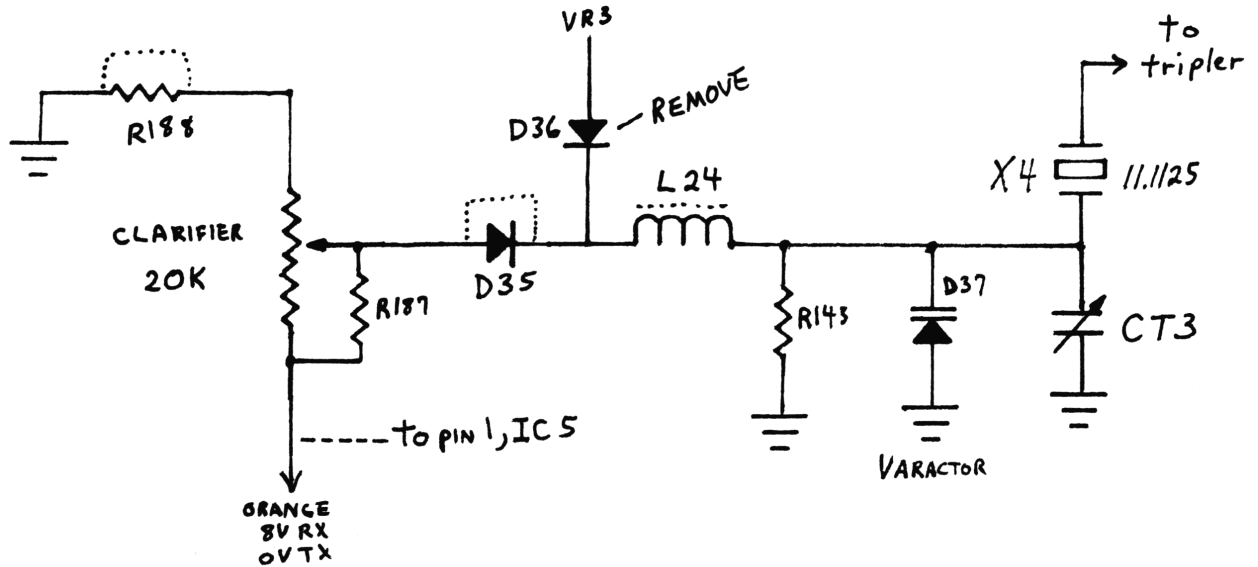
Before proceeding with the clarifier mod, verify that the above
mod is working properly.

Continued on next page.

TEABERRY MODEL STALKER IX Continued:

HOW TO MAKE THE CLARIFIER WORK ON TX:

Here is the circuit:



1. Jumper across R188 (Remove R188, clean out holes, install wire jumper, resolder).
2. Remove D36 and clean out holes.
3. Remove D35, clean out holes, install wire jumper, resolder.
4. Remove R187 (22K) and clean out holes.
5. Follow ORANGE wire from end of clarifier over to PCB - unsolder wire at PC board.
6. Resolder end of ORANGE wire to pin 1 of IC5 (MB3756), lengthen wire as necessary.
7. For more slide, remove CT3. Since this is the USB freq. adjustment it will be necessary to return L20 and L19.
 - A. Inject 1KC tone, Ch 20, USB. Read freq. on counter. Lets say as an example it reads 27.208.
 - B. Switch to AM, key mike, no tone. Adjust L20 for 27.207(1KC below USB).
 - C. Switch to LSB, inject 1KC tone through mike, adjust L19 for 27.206 (1KC below AM, 2KC below USB).

* Super Diode/Super Slide in place of D37 gives maximum range over 15KC.

ALIGNMENT:

Continued on next page.

TEABERRY MODEL STALKER IX Continued:

ALIGNMENT:

RX: Adjust L10, L9, L8 for best all around freq. coverage.

VR2 SQ. range

VR1 S meter 100uV/30% = S9

TX: On USB, peak L26, L27, L28, L29, L36.

On AM, adjust L39 for min. interference on TV ch 2 or 3.

VR 8 Driver Bias 35ma

VR 9 Final Bias 45 ma

VR 5 Carrier Null

VR 7 SSB ALC

VR 6 AM power

VR 10 RF Output Meter .

MIKE WIRING:

Pin 1 WHITE (audio)

Pin 2 SHIELD

Pin 3 BLUE (NC,RX)

Pin 4 RED (common)

Pin 5 BLACK (no, TX)

* For MAX. AM modulation, lift collector (middle terminal) of TR32 and add a SPST switch to make/break connection. You will probably want to keep it in circuit on SSB.