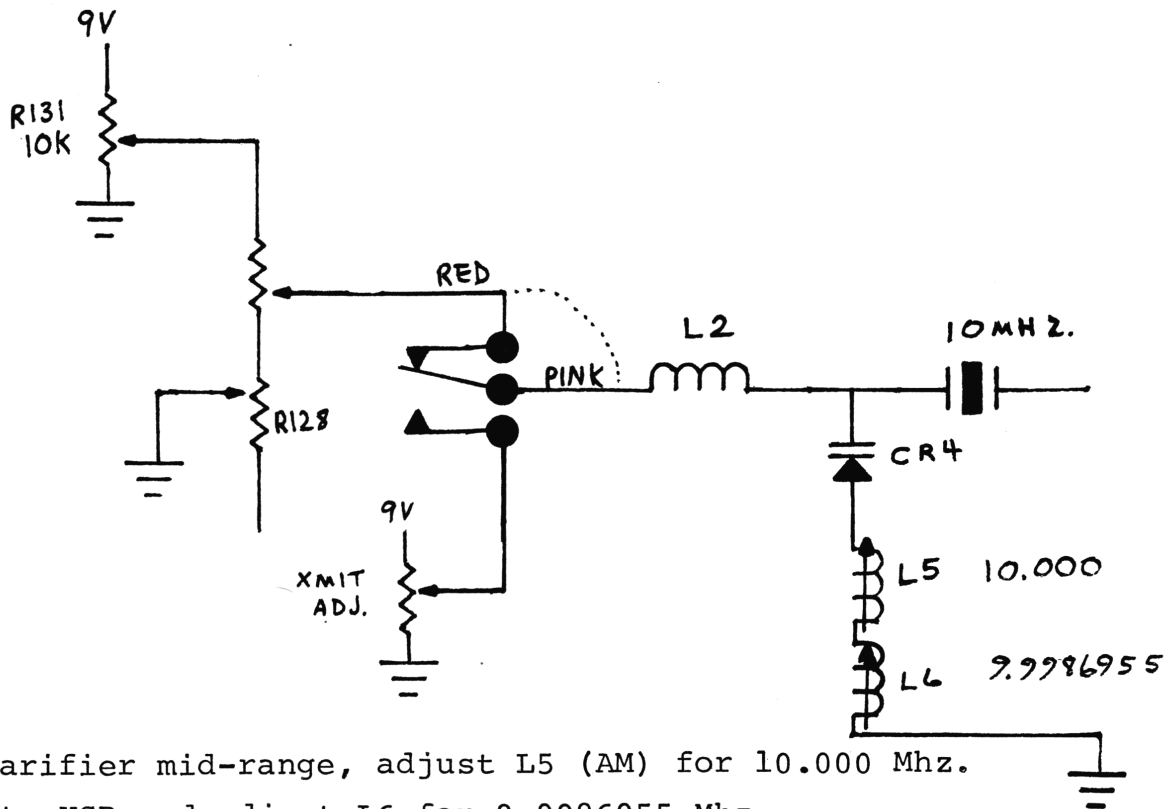


PACE 1000MC - 1000BC (NDC40013)

CLARIFIER:

1. Locate RED and PINK wire next to relay.
2. Unsolder the RED and PINK wire from the PC board, solder together and tape.
3. Adjust R130 for best up range.
4. Adjust R128 for best down range.



With clarifier mid-range, adjust L5 (AM) for 10.000 Mhz.
Switch to USB and adjust L6 for 9.9986955 Mhz.

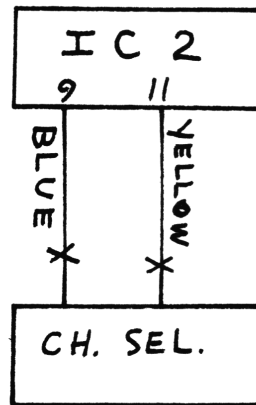
FREQUENCY EXPANSION:

1. Remove the YELLOW wire from the channel selector board.
2. Remove the BLUE wire from the channel selector board.

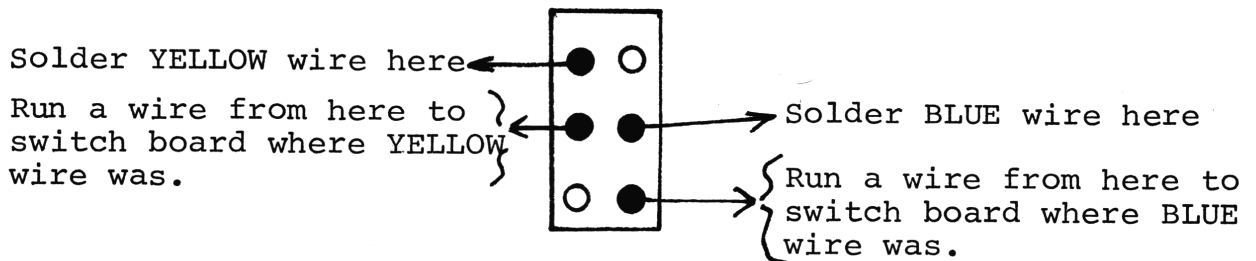
Continued on next page.

PACE 1000MC - 1000BC Continued:

FREQUENCY EXPANSION continued:



3. Obtain a SPST center on toggle switch. Wire up as diagramed below:



Center position is normal 1-40 channels.

UP gives 27.415-27.475.

DOWN gives 27.485-27.705.

TUNE-UP:

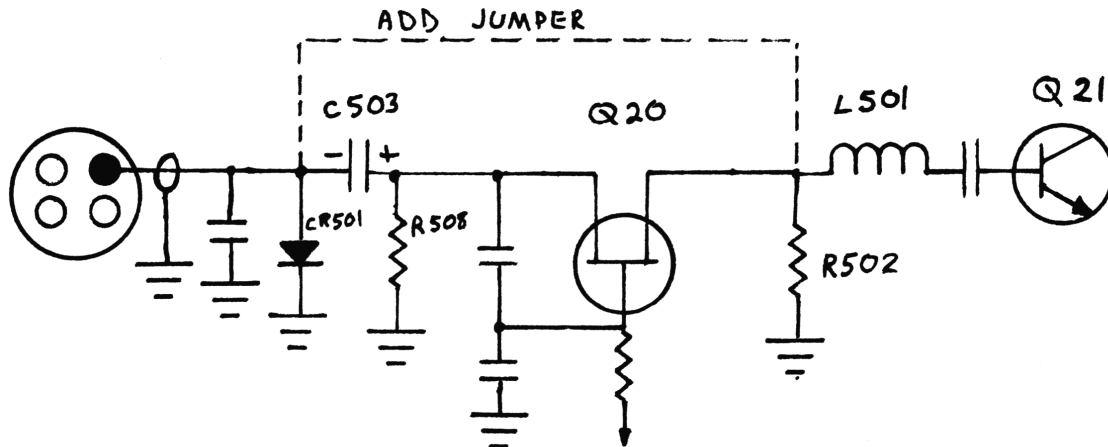
To eliminate the AMC circuit, follow these steps:

1. Locate, unsolder and remove Q20.
2. Locate, unsolder and remove C503.
3. Locate, unsolder and remove R502 (10K).
4. Install a jumper wire from where the - side of C503 was to L501, using the hole left where R502 was removed.
5. Locate, unsolder and remove CR501 (1N60 diode).

Continued on next page.

PAGE 1000MC - 1000BC Continued:

TUNE-UP continued:



Peak L112, L109, L107 for maximum RF output.

On USB, adjust T501 for maximum RF output.

R521 AM AMC (eliminated this control if you did mod. above).

R134 SSB ALC adjust for maximum.

R103 RF output meter.

R515, C512 carrier null, Ch 19, USB, no mod.

WIRE GAUGE CONVERSION CHART

AWG#	DIA. "		
10	.102	21	.029
12	.081	22	.025
13	.072	23	.023
14	.064	24	.020
15	.057	25	.018
16	.051	26	.016
17	.045	27	.014
18	.040	28	.013
19	.036	29	.011
20	.032	30	.010