

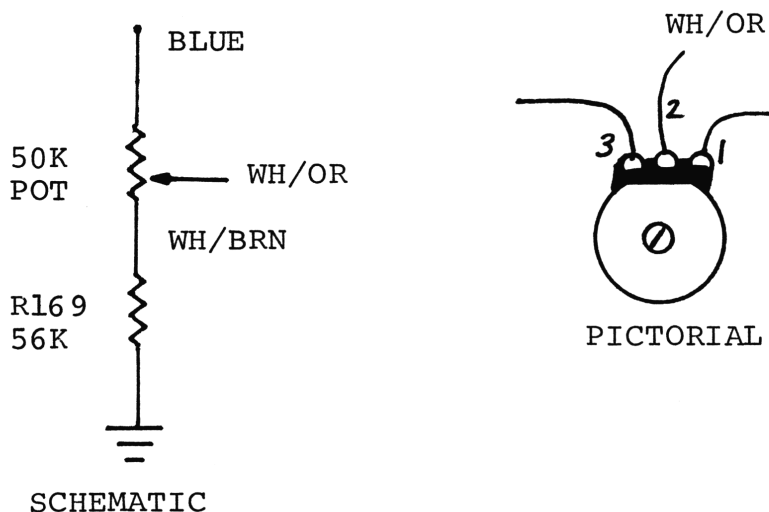
MIDLAND 79-892

A common request on this radio is - I want to run a power mike except the clarifier is on the mike, what can I do? Well, here is the answer:

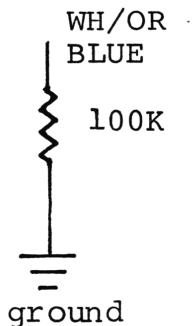
We are going to do 3 things:

1. Change RF gain to clarifier function.
2. Install 4 pin ring connector in place of 6 pin mike jack in unit.
3. Add slide.

Remove the cover and locate the RF gain control. It should look like this:



We are going to wire the RF gain so that the receiver is always on maximum sensitivity. This is accomplished by wiring like this:

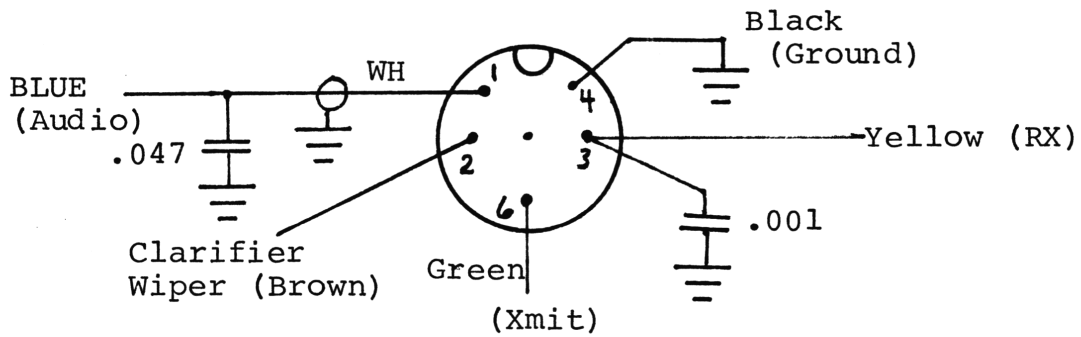


Continued on next page.

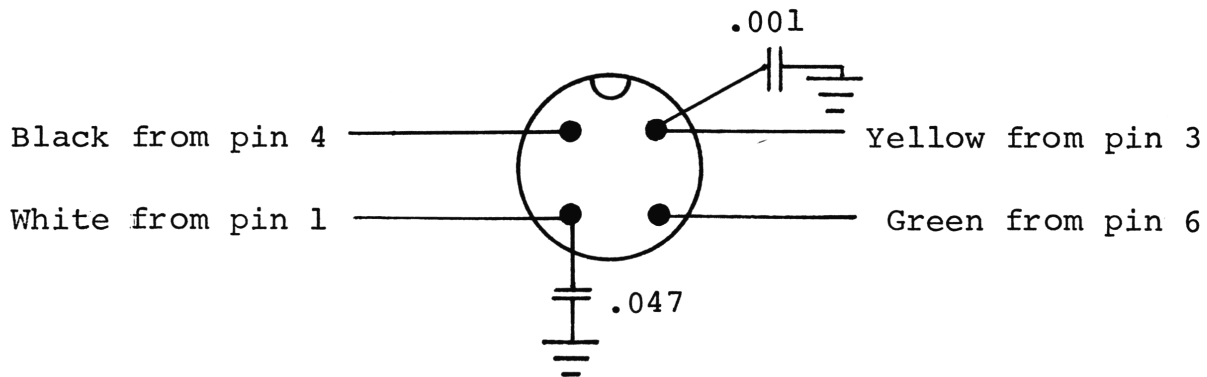
MIDLAND 79-892 Continued:

Unsolder the BLUE, WH/OR, and WH/BRN wires from the control. Solder the WH/OR and BLUE wires together. Also solder one end of a 100K resistor to this junction. Solder the other end of the resistor to ground.

Now locate the 6 pin mike jack:



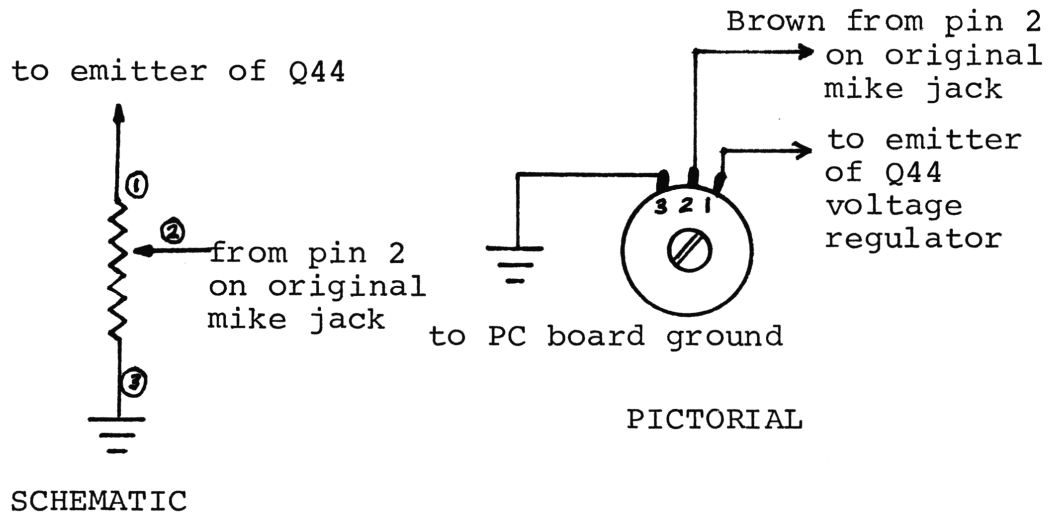
Unsolder all wires and then remove the jack. If you are not sure you will remember, label wires (such as, Black #4) before removing. Install a new 4 pin jack and wire up as shown below:



Continued on next page.

MIDLAND 790892 Continued:

The next step is to wire the clarifier function to the original RF Gain Pot, as shown:



NOTE: If slide works backwards, swap wires on terminals 1 & 3 around.

1. Remove R24
2. Remove D4 and install solid wire jumper.
3. Remove D5.

This completes the modification.

For maximum modulation, remove Q35.

VR4 AM Power

RV11 Mic gain (SSB)

Wire up your favorite power mike to a 4 pin plug and have a modulation ball!!!!