

COBRA 2000GTL

Lots of these still around so here is all the info.

CLARIFIER:

1. Locate and remove BROWN wire from Fine Voice Lock to PC board. No replacement.
2. Locate the RED wire on the other end of the Fine Voice Lock. Unsolder the end that goes to the PC board.
3. Resolder the RED wire to pin 1 of IC4.
4. Locate and remove R44 (gray-red-red). No replacement.
5. Locate and remove R174 (brown-red-orange). Clean out holes and solder in a solid wire jumper in its place.
6. Locate and remove D52. No replacement.
7. Locate and remove D51. Clean out holes and solder in a solid wire jumper in its place.

ADJUSTMENT: Use Channel 20.

Set the CVL and FVL controls to center position for the following Adjustments:

ON AM, adjust L23 for 27.2050 on the built in frequency counter.

ON USB, using a 1,000 hertz tone for modulation, adjust L59 for 27.2060.

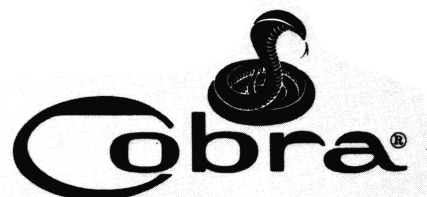
ON LSB, using a 1,000 hertz tone for modulation, adjust L22 for 27.2040.

Ours slid down 15kc, up 5kc.

FREQUENCY CONVERSION:

Order "SECRET CB" Catalog Item #27 from your favorite "SECRET CB" Dealer or obtain the following parts:

- 1 - MB8719 PLL Chip
- 1 - 18 pin IC Socket
- 2 - SPST Switches



COBRA 2000GTL Continued:

1. Locate IC1, MB8734 PLL chip and unsolder.

NOTE: CMOS: Make sure power is off, discharge capacitors by turning unit on with no power connected to it.

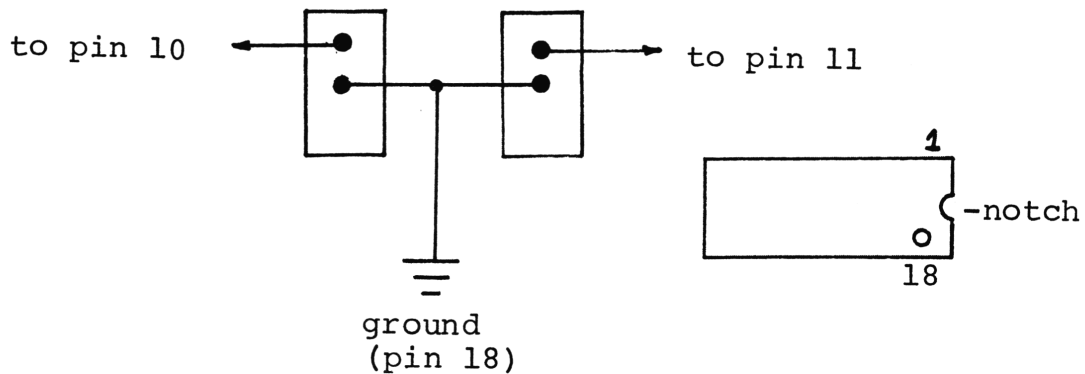
NOTE: I use a "Soldapullt" Model DS017 desoldering tool for easy removal and hole cleanout.

2. Solder in the 18 pin IC socket in place of IC1.

3. Hook up the 2P6P rotary switch as diagramed in Kit #27 for frequency coverage from 26.815-28.045.

NOTE: If you are not using the kit wire up the two SPST switches as shown:

NOTE: L19, VCO coil, may have to be tweaked to get hi-lo ch.



4. Install the new MB8719 PLL chip into the socket. Make sure the notch faces the right hand side as viewed from the front, top (away from the frequency counter unit).

TRANSMIT ALIGNMENT:

Peak L47, L48, L46, L45, L38
L36 is T.V.I. Filter
VR4 Carrier Balance
VR9 Driver Bias Adjust for 25 MA idle current
VR8 Final Bias Adjust for 50 MA idle current
VR11 SSB ALC
VR12 AM Modulation Control
VR10 AM Carrier Power
VR7 Modulation Meter
VR6 RF Power Meter

8719 FREQUENCIES WITH 11.3258

10 LOW

<u>CH</u>	<u>FREQ</u>	<u>CH</u>	<u>FREQ</u>
1	27.605	21	27.855
2	27.615	22	27.865
3	27.625	23	27.895
4	27.645	24	27.875
5	27.655	25	27.885
6	27.665	26	27.905
7	27.675	27	27.915
8	27.695	28	27.925
9	27.705	29	27.935
10	27.715	30	27.945
11	27.725	31	27.955
12	27.745	32	27.965
13	27.755	33	27.975
14	27.765	34	27.985
15	27.775	35	27.995
16	27.795	36	28.005
17	27.805	37	28.015
18	27.815	38	28.025
19	27.825	39	28.035
20	27.845	40	28.045

10+11 LOW

15	27.455	28	27.605
16	27.475	29	27.615
17	27.485	30	27.625
18	27.495	31	27.635
19	27.505	32	27.645
20	27.525	33	27.655
21	27.535	34	27.665
22	27.545	35	27.675
23	27.575	36	27.685
24	27.555	37	27.695
25	27.565	38	27.705
26	27.585	39	27.715
27	27.595	40	27.725

11 LOW

15	26.815	24	26.915
16	26.835	25	26.925
17	26.845	26	26.945
18	26.855	27	26.955
19	26.865	28	26.965
20	26.855	29	26.975
21	26.895	30	26.985
22	26.905	31	26.995
23	26.935	32	27.005

COBRA 2000GTL Continued:

WIDEBANDING:

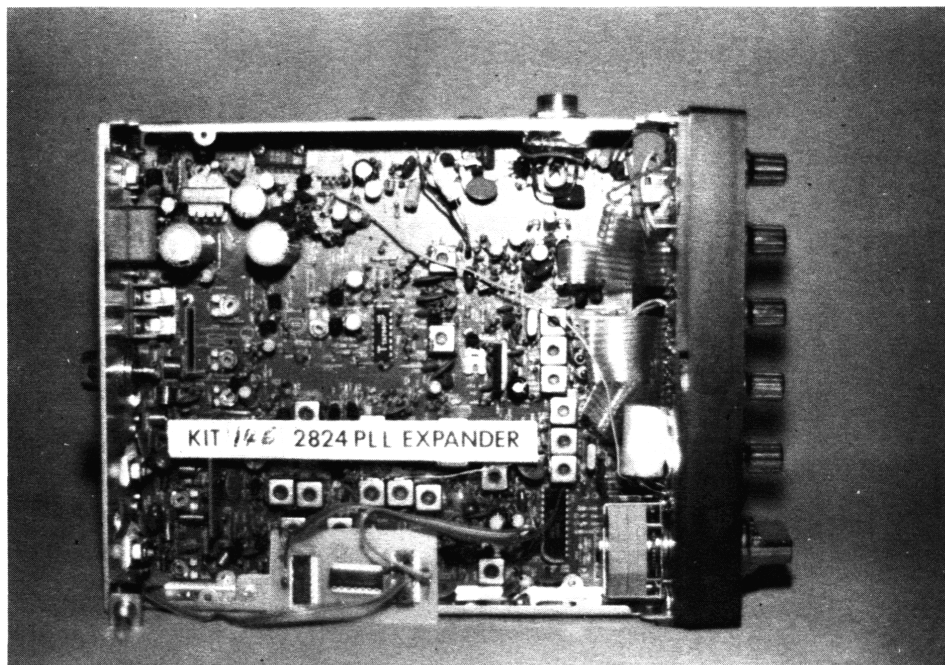
The following components are located near IC3.

Remove C207 (47pf). No Replacement.

Remove R206 (270K). Replace with 39K.

DIGITAL PROCESSOR FOR THE uPD2824 CHIP

A "digital processor" has been developed resulting in a new conversion kit for the 2824 sideband chassis, such as, the AR144/146GTL. A 3 position toggle switch selects 1-40, 28-72, or 60-104 channel ranges. It is easy to hook up and adjust. Order Secret CB Kit #146 and check one out for yourself.



Call or write for our FREE product catalog.