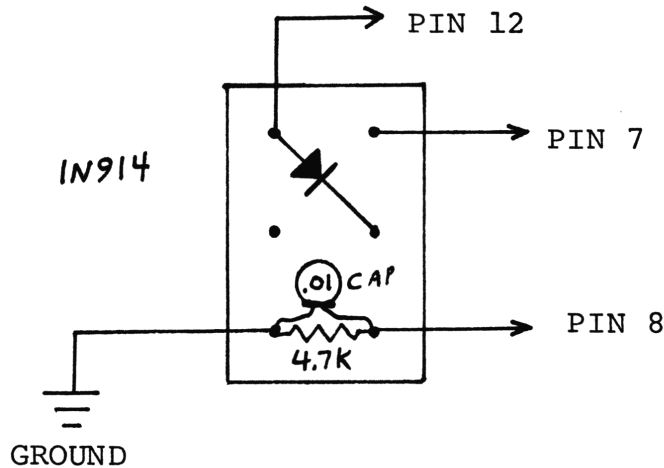


CDE MARK 26 (uPD861)

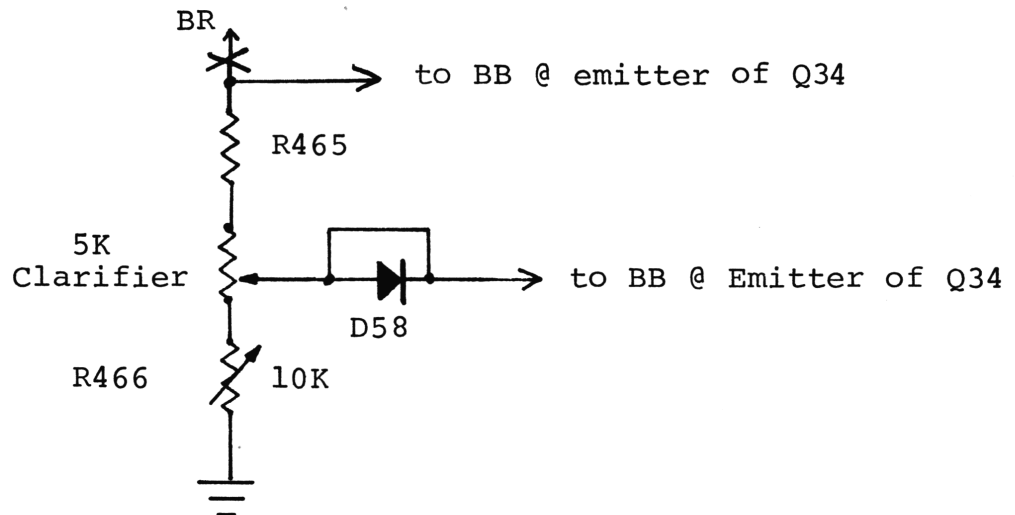
Coverage up to 28.045:

1. Isolate pin 14 by cutting PC foil out of the way.
2. Add a 4.7K resistor from pin 14 to ground.
3. Wire a DPDT toggle switch as shown:



CLARIFIER:

1. Clip D412
2. Remove D58 and install jumper in its place.
3. Clip wire from R465 to BR.
4. Run a wire from R465 to BB (Emitter of Q34).



Adjust R466 for desired slide.