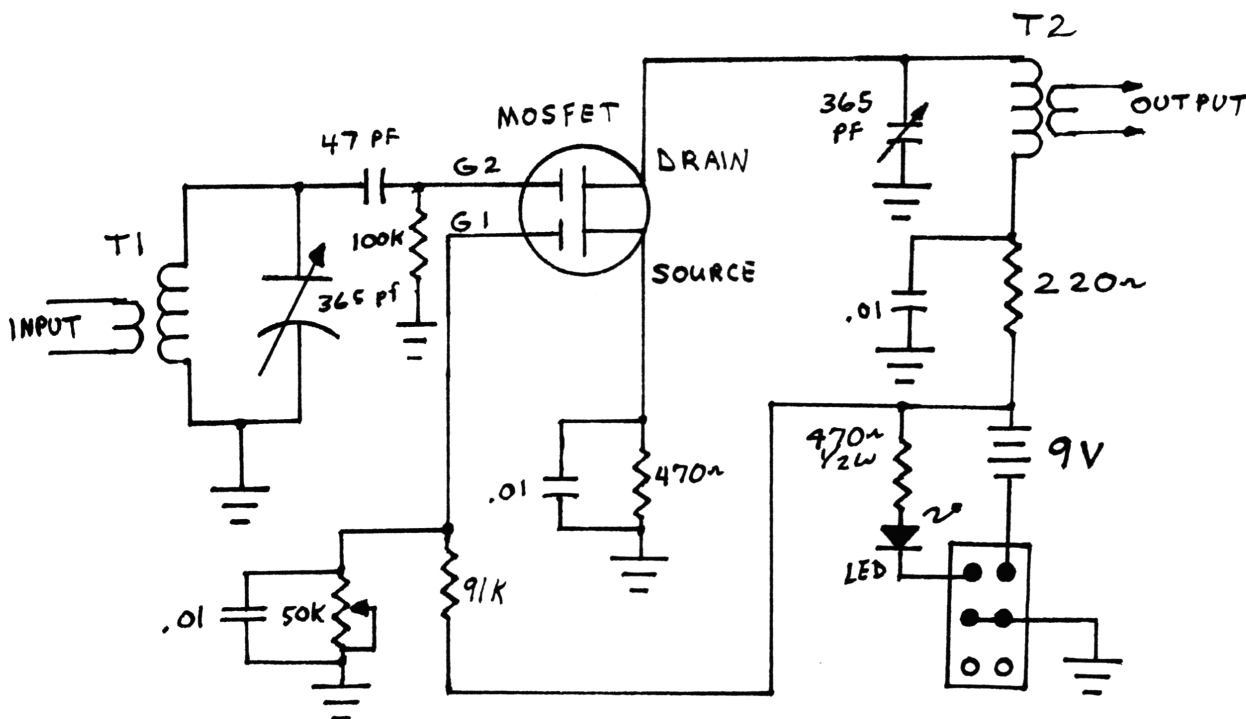


FET RECEIVER PRE-AMP

PARTS LIST:

- 1 - 50K Linear Taper Pot.
- 2 - 365 pf Variable Capacitor.
- 3 - .01 uf disc capacitor (50V).
- 1 - 100K $\frac{1}{4}$ W Resistor.
- 1 - 91K $\frac{1}{4}$ W Resistor.
- 1 - 470 Ω $\frac{1}{4}$ W Resistor.
- 1 - 470 Ω $\frac{1}{2}$ W Resistor.
- 2 - Miller D-5495-A RF Transformer.
- 1 - DUAL MOSFET ECG454,SK3065.
- 1 - Red LED.
- 1 - 9 Volt Battery.
- 1 - 220 Ω $\frac{1}{4}$ W Resistor.
- 1 - DPDT Switch.
- 1 - 47PF (50V).

SECRET CB SAYS
"You Can Build It"



Coils should be shielded with Miller type S-33 Shields.
 LEAD from T2 should be as short as possible.
 T1 and T2 should be placed at Right angles.