

## PRESIDENT GRANT "HOME CHANNEL CONVERSION"

A lot of people use a particular channel as a "home channel." Here is a conversion on how to turn the "Ch.9" switch into a custom programmed frequency selector.

First, decide what you want your home channel to be. Now, circle that channel on the Truth Table in red ink. Let's look at an example.

Suppose we want our home channel to be 27.845. The truth chart is; 11,14,15,16,high; 10,12,13,Low. To deactivate the Ch.9 function, we will unsolder and lift the anodes of diodes D28, D29, D30. Reconnect as follows.

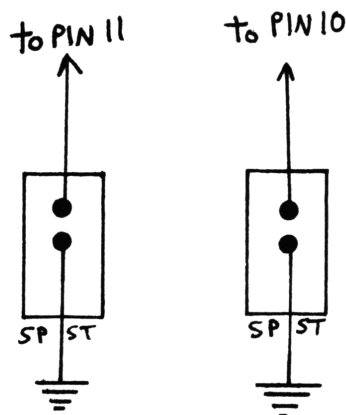
D28 anode to pin 10.

D29 anode to pin 12.

D30 anode to pin 13.

Since pins 11,14,15,16 have to be high, we need not do anything to those pins as they have internal pull up resistors on them so they are normally high. However, the traces on pins 12 & 13 must be cut between the chip & channel selector and 1N914 diodes added as shown in FIG.1.

NOTE: You may have to modify the way you install extra channels. For example, if you used two switches like this;



# PRESIDENT GRANT (CONT)

You will have to rewire and add 1N914 diodes like this:

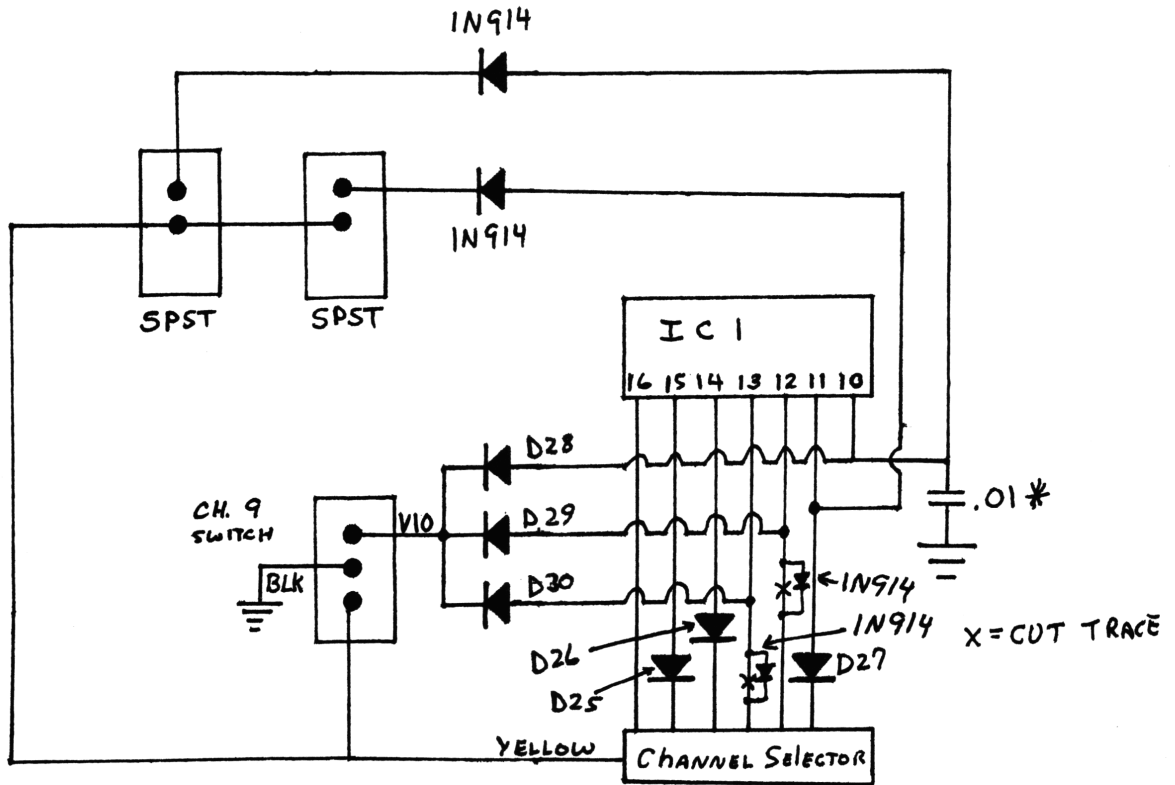


FIGURE 1

\*Add .01/50v disc cap from pin 10 to ground.

You can program in any channel between 26.815-28.085.

What are you waiting for?