

## MB8719/11.1125 CHASSIS UPDATE (CON'T)

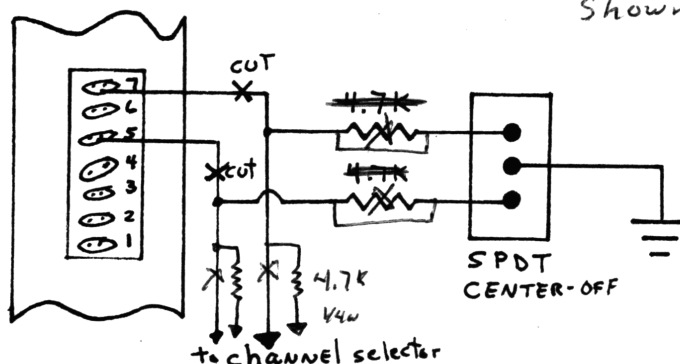
- C. The Center-Off switch will give 27.415-27.445 in the center. Frequencies of 26.815-26.965, 28.005-28.085, and 26.775-26.805 are obtained by using different combinations of the other two switches.
- D. Using the DPDT and Center-Off combinations gives 26.175-26.325.
- E. Using the SPDT switch only gives 27.605-28.045.
- F. Using the DPDT alone gives 26.325-26.765.
- G. Using the SPDT and Center-Off gives 27.455-27.605.

See specific models for Clarifier/Tune Up procedure previously published.

### CRAIG L321

1. Remove wires from terminals 5 and 7.
2. Add a 4.7k resistor in series with each wire.
3. Solder other ends of the resistors to the outside terminals of a SPDT Center-Off switch as shown.
4. Solder a wire from the middle terminal on the switch to ground. This yields channels 41-47 on 33-39 and 48-72 in other position. Center is normal.

*Do not cut the traces as shown*



### CLARIFIER- Real Simple

1. Remove Gray and Green wires next to relay and solder together.
2. Cut Blue wire next to relay and resolder to ground.
3. Adjust L5 for desired slide range.