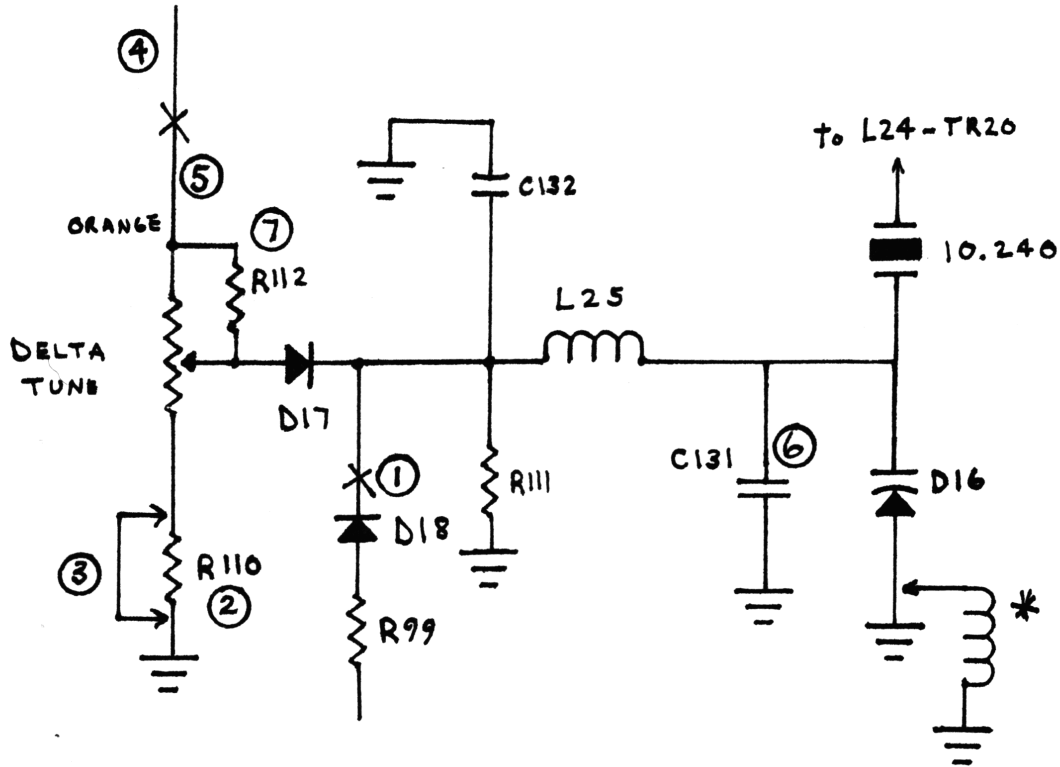


HOW TO ADD SLIDE TO YOUR COBRA 29GTL



1. Clip D18.
2. Remove R110.
3. Install jumper wire in place of R110.
4. Cut Orange wire from Delta tune to PC Board at PC Board.
5. Resolder end of Orange wire to emitter of TR23.
6. Remove C131 6pf cap.
7. Remove R112.

* D16 may be changed to a Super Diode or a Super Slider can be added for more slide.