

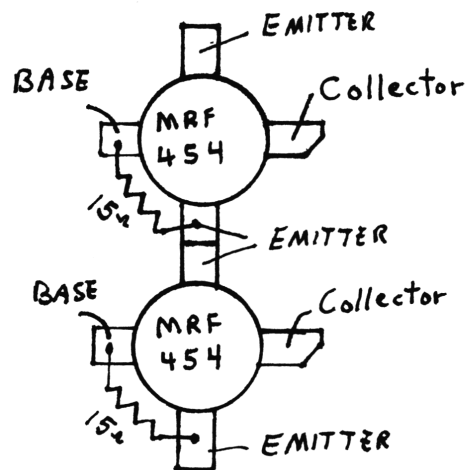
LINEAR NOTES

Sometimes a new amplifier will break into oscillation and "hang up" the receiver. Symptoms of this are:

- A. Very noisy receiver.
- B. Inability to receive.
- C. Signal fuzzy or noisy.
- D. Excess idle current.
- E. Splatter.

If you have determined that this is your problem, there is usually a simple solution. Remove the cover and do the following steps:

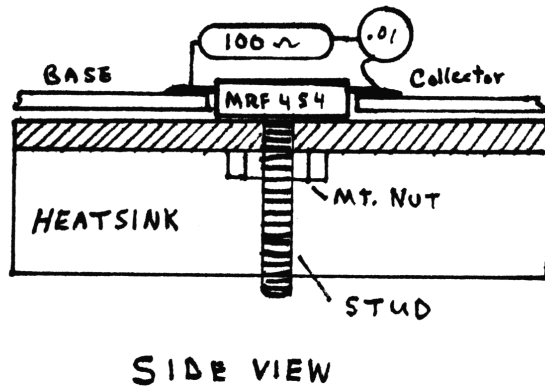
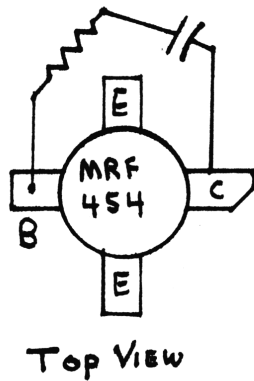
1. Locate the power transistors. They will be stud or flange mount type and will be attached to the heat sink and look like an aspirin with four gold legs. Usually you will find two that look like this (although this will vary greatly depending on wattage and design).



Anyway, the most important thing is to locate the base and collector. Usually the collector is cut at an angle. The emitters (two each) are grounded. There will probably be a 10-22 ohm resistor from the base to emitter.

LINEAR NOTES cont'd.

- Obtain a .01/1KV disc capacitor and a 100Ω /1Watt carbon resistor.



- Connect resistor and capacitor together and then solder the other capacitor lead to the Collector. Solder the other resistor lead to base.



Install the above circuit across each of the power transistors.