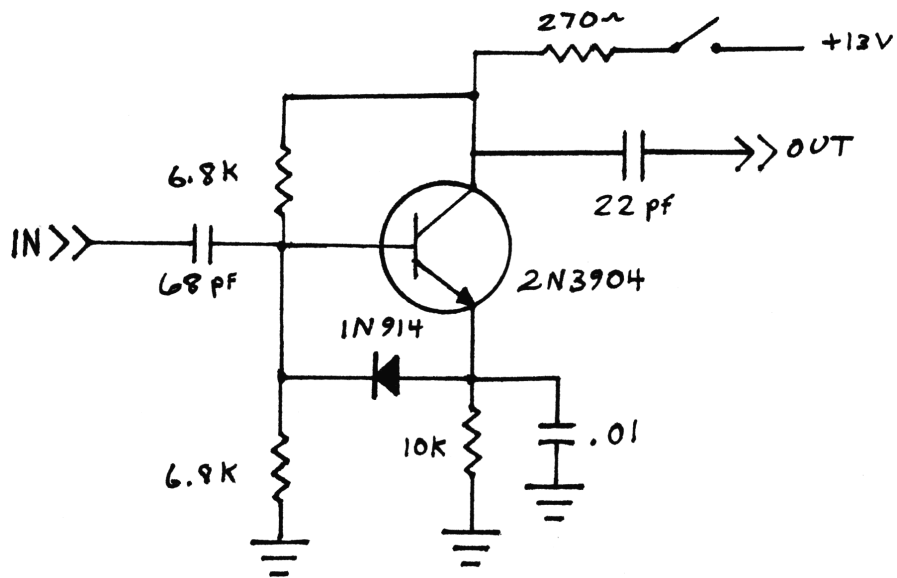
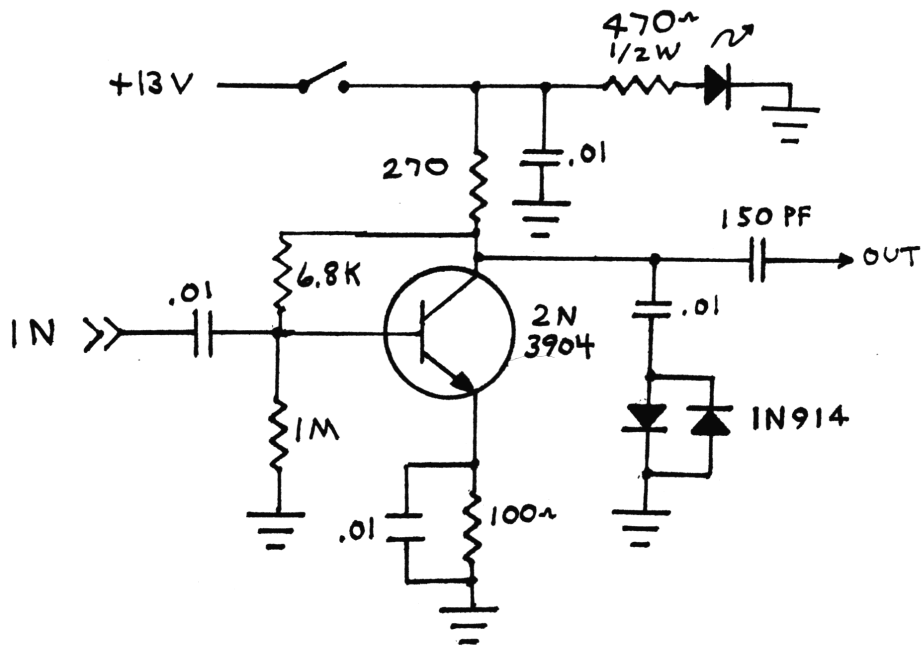


TWO RECEIVER PREAMPS YOU CAN BUILD



These are popular designs used in various linears.