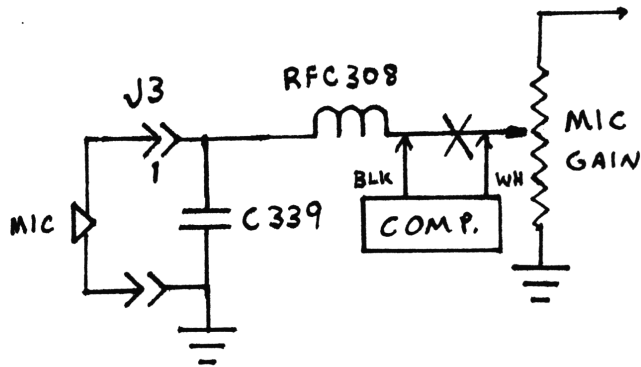


MIDLAND 77-0004 4001

VSB-1 HOOK-UP

COMPRESSOR:

1. Remove Q202.
2. Lift end of RFC308 that connects to Mic Gain.



Connect as shown:

Will probably need to use power Mike for best results.

EXPANDOR:

1. Remove C121.
2. Install Pre-Amp as follows:

